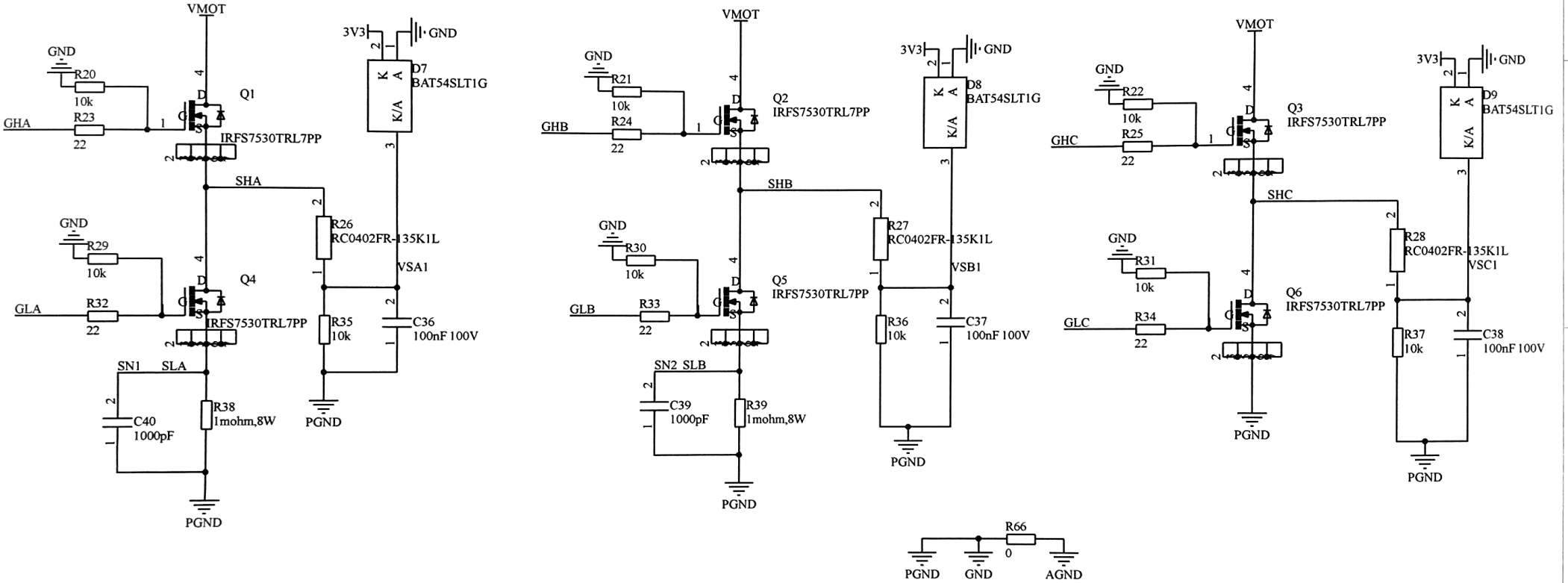


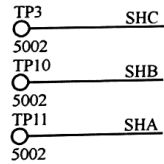
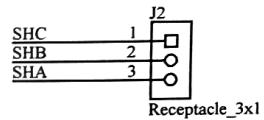
fix on 3.6V

Title		
Size	Number	Revision
A4		
Date:	7/03/2020	Sheet of
File:	D:\SMELA\Driver SchDoc	Drawn By:

MOSFETS



MOTOR



Title		
Size	Number	Revision
A4		
Date:	7/03/2020	Sheet of
File:	D:\SMELA\MOSFET.SchDoc	Drawn By: