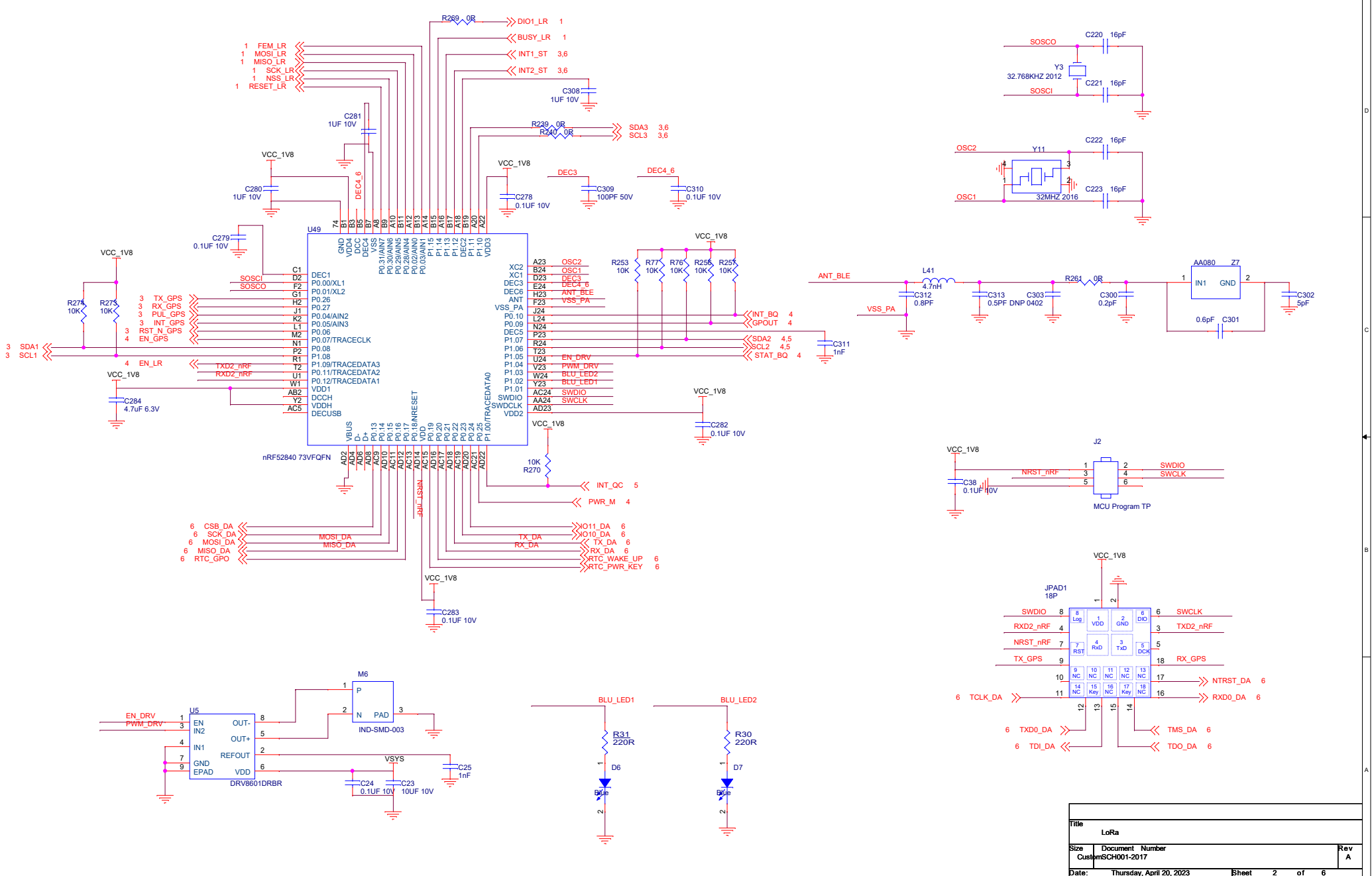
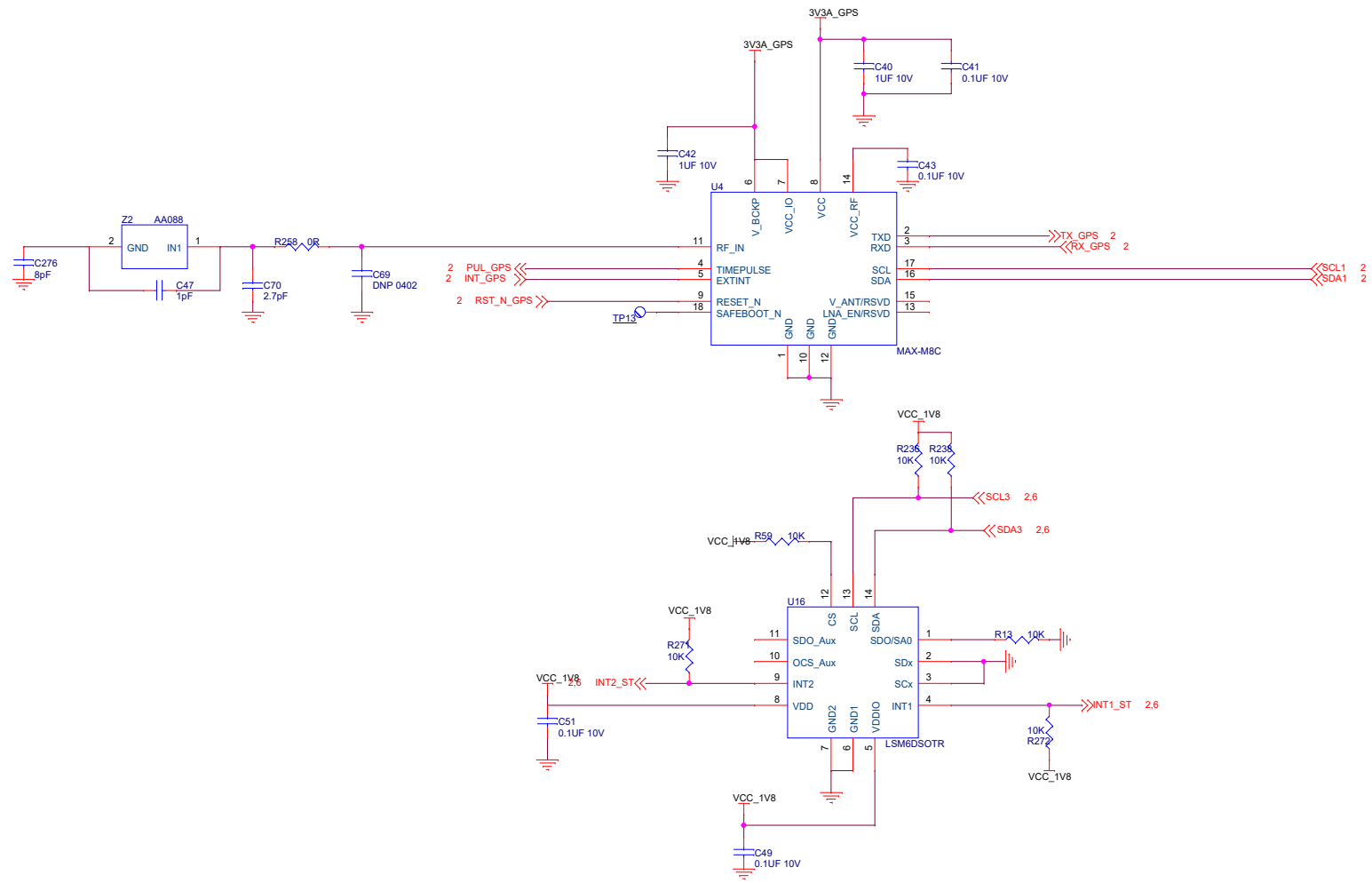


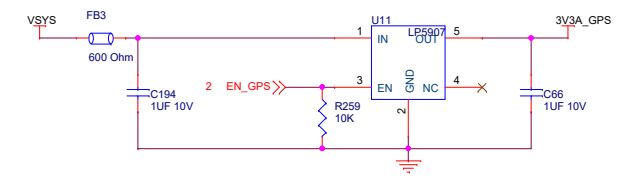
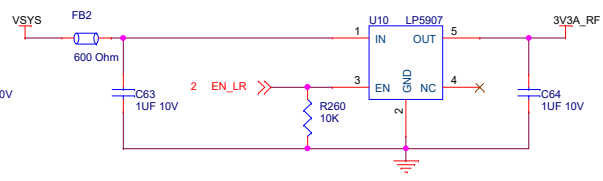
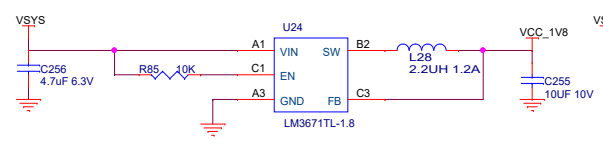
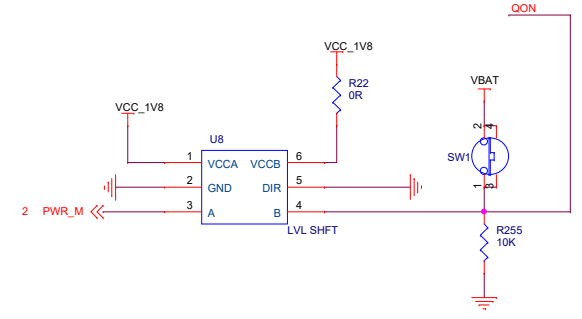
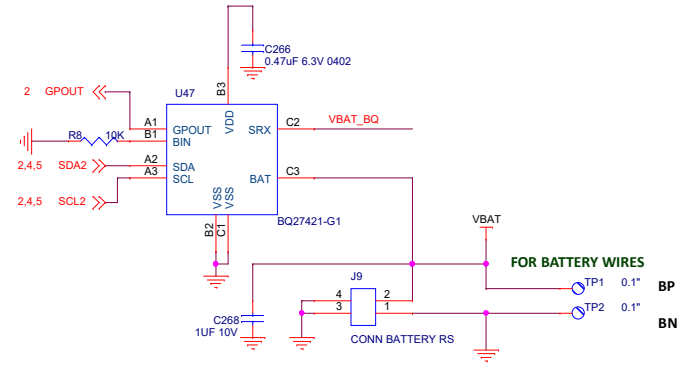
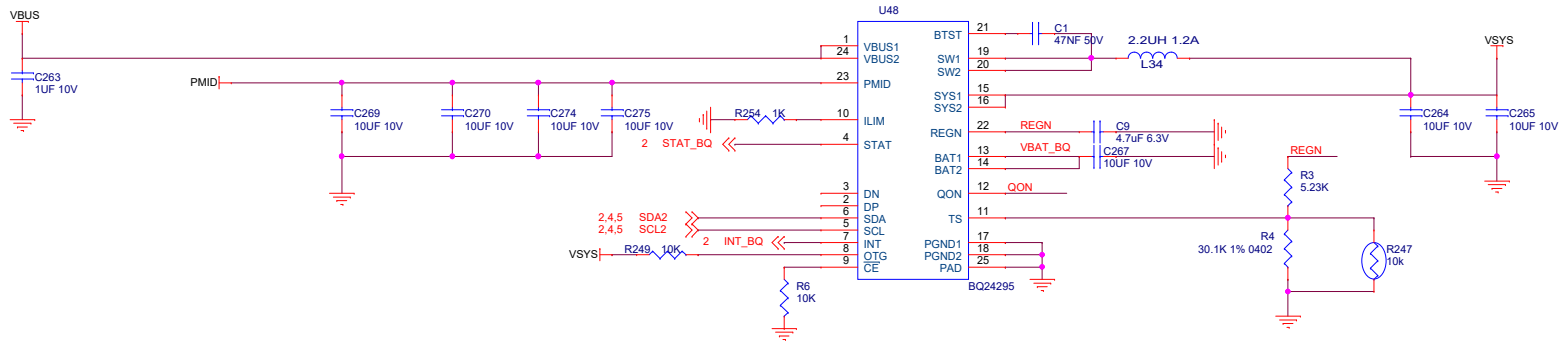
Title		
LoRa		
Size	Document Number	Rev
CustomSCH001-2017		A
Date:	Thursday, April 20, 2023	Sheet 1 of 6



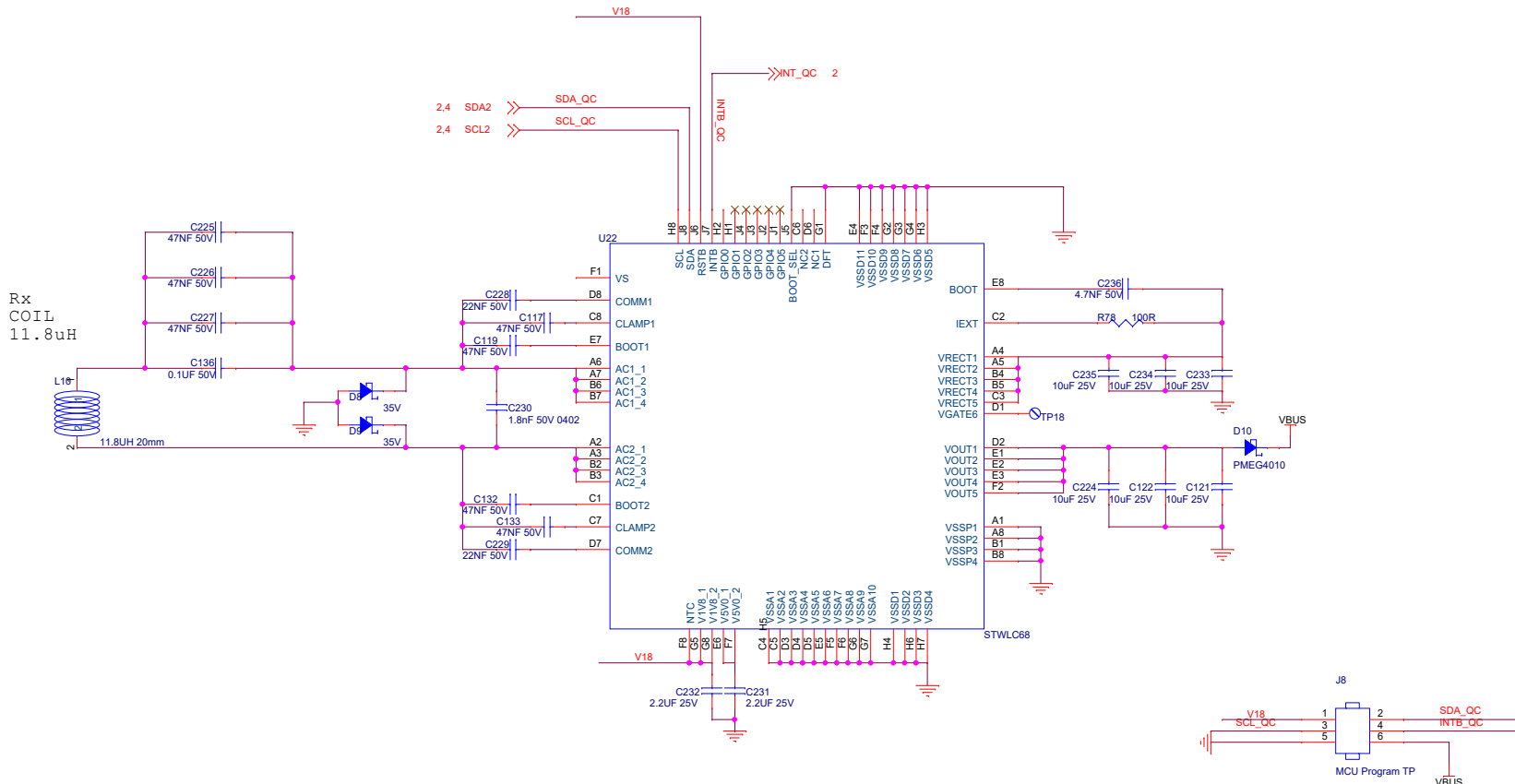
Title		LoRa	
Size	Document Number	CustomSCH001-2017	
Date:	Thursday, April 20, 2023	Sheet	2 of 6
			Rev A



Title		
LoRa		
Size	Document Number	Rev
B	SCH001-2016	A
Date:	Thursday, April 20, 2023	Sheet 3 of 6



Title		
LoRa		
Size	Document Number	Rev
CustomSCH001-2017		A
Date:	Thursday, April 20, 2023	Sheet 4 of 6



Title		
oCharger		
Size	Document Number	Rev
B	SCH001-2016	A
Date:	Thursday, April 20, 2023	Sheet 5 of 6

