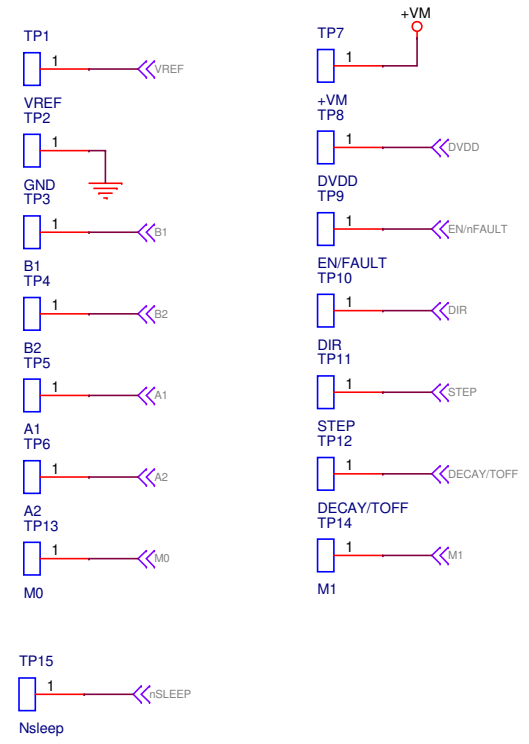
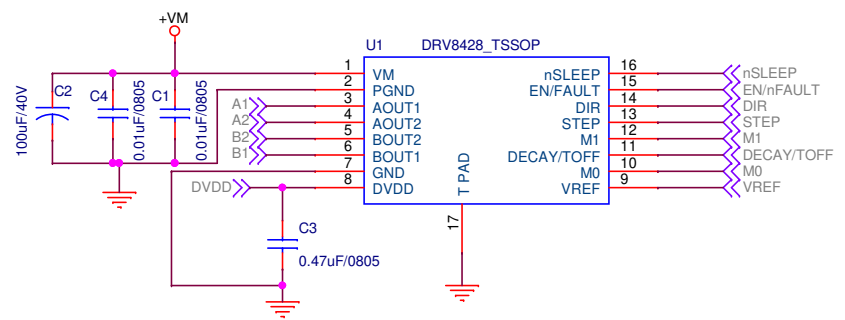
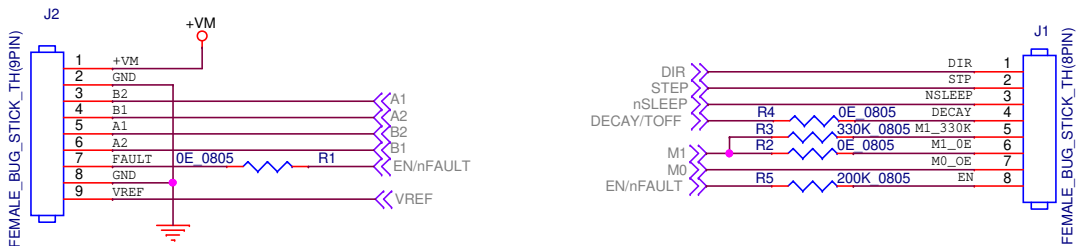


DRV8428 TSSOP CIRCUIT DIAGRAM

TEST POINT



PROJECT NAME = MOTOR DRIVER(GENERAL)		
DESIGN TITLE = DRV8428 CIRCUIT DAIGRAM		
AME CODE DETAILS = DRV8428_TSSOP_REV0		
DESIGNED BY	VERIFIED BY	APPROVED BY
AKAS MEDICAL EQUIPMENT		RevCode =
Page Modify Date = Thursday, May 25, 2023		Page Size = A4