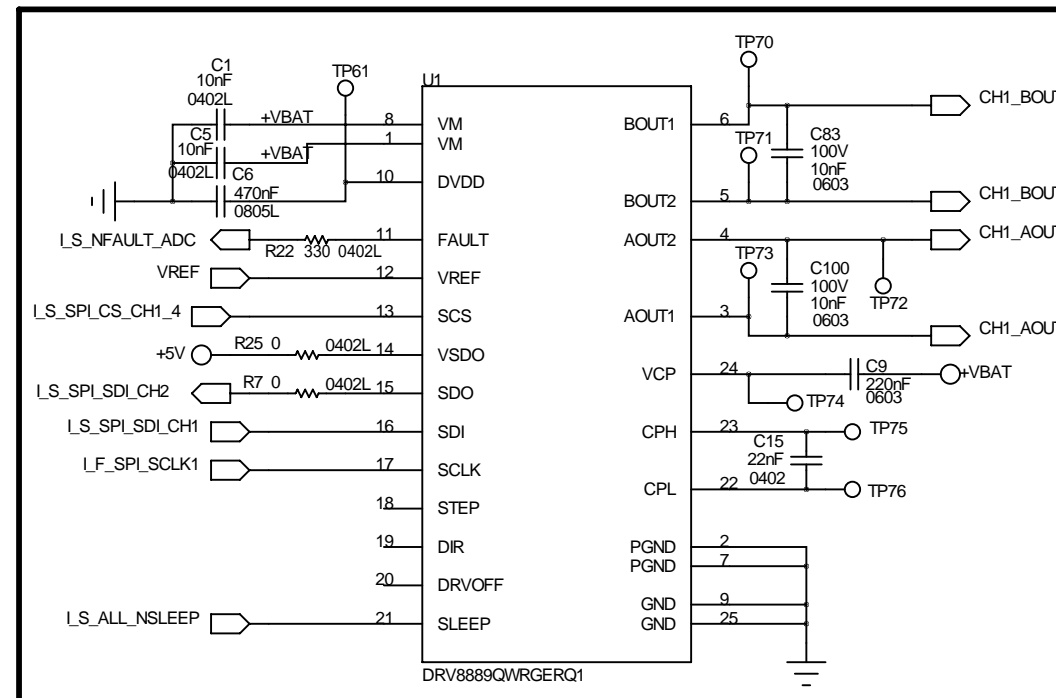
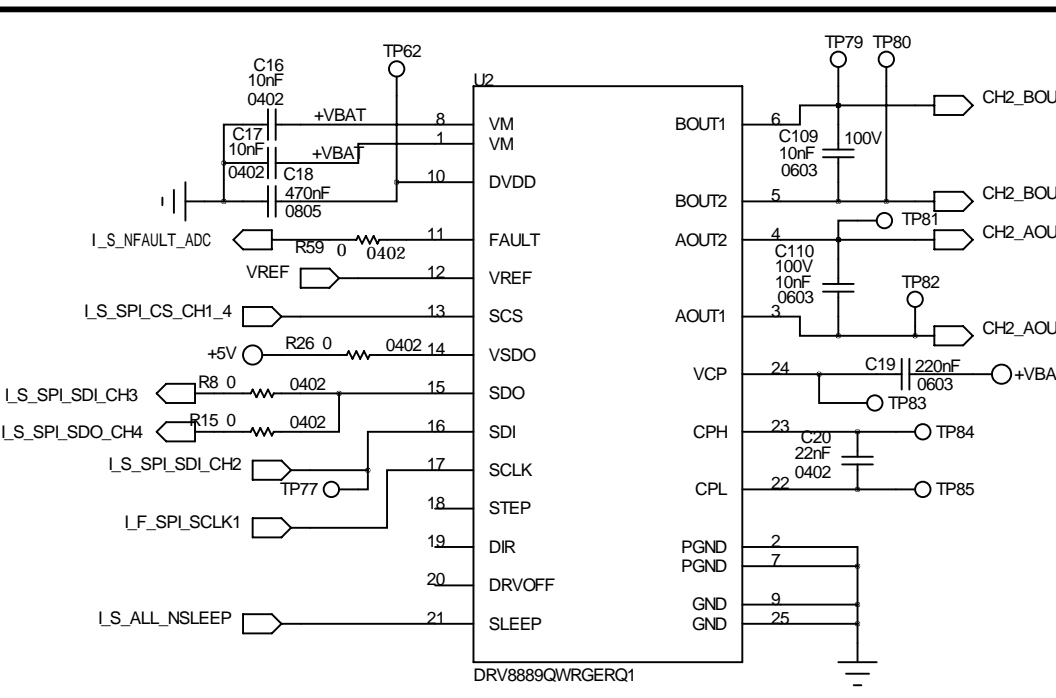


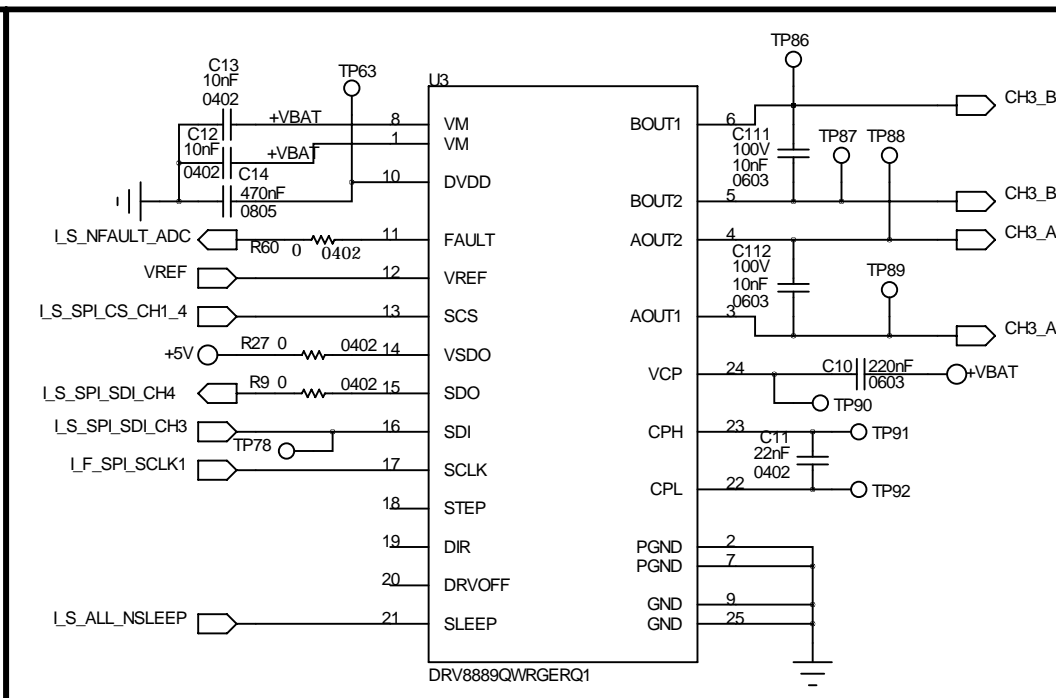
REVISION RECORD			
LTR	ECO NO.	APPROVED:	DATE:



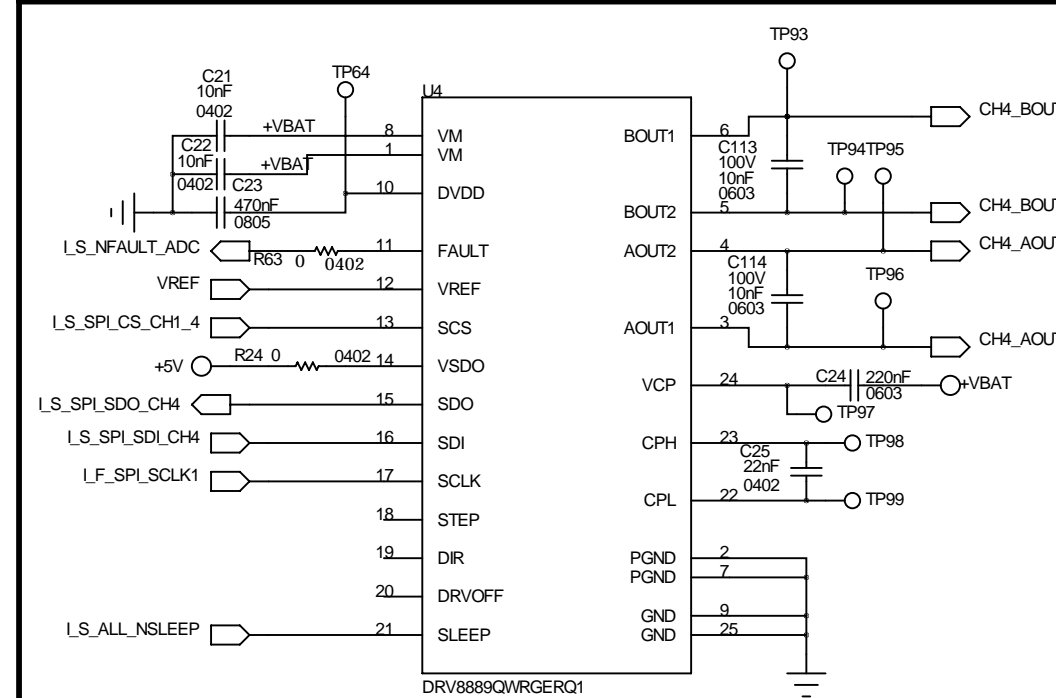
F:Chanel 1



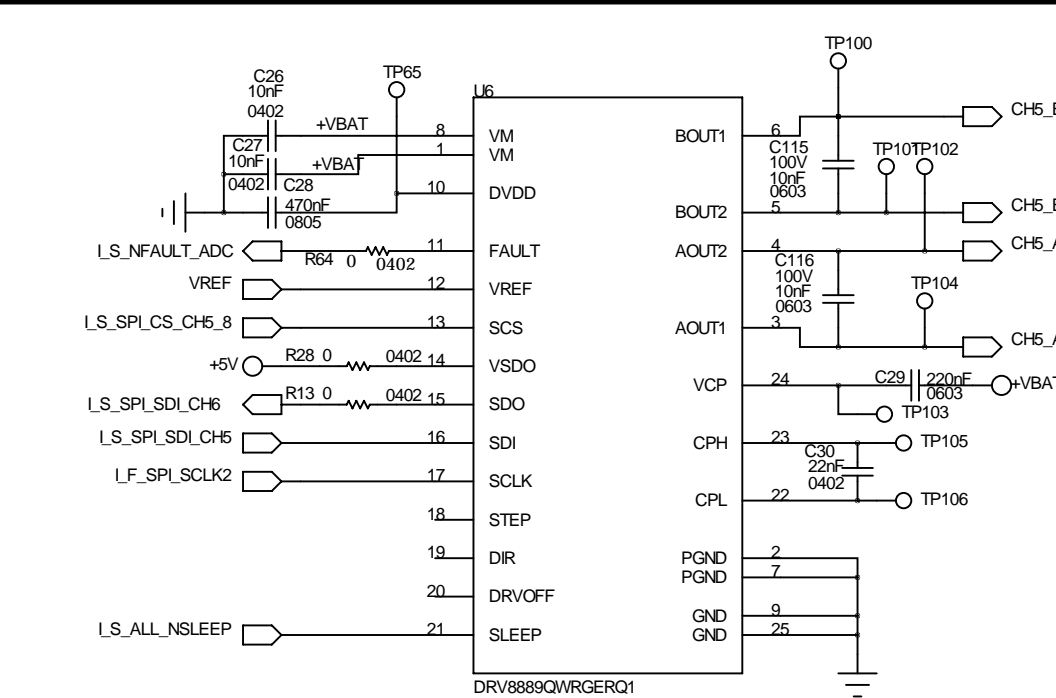
G:Chanel 2



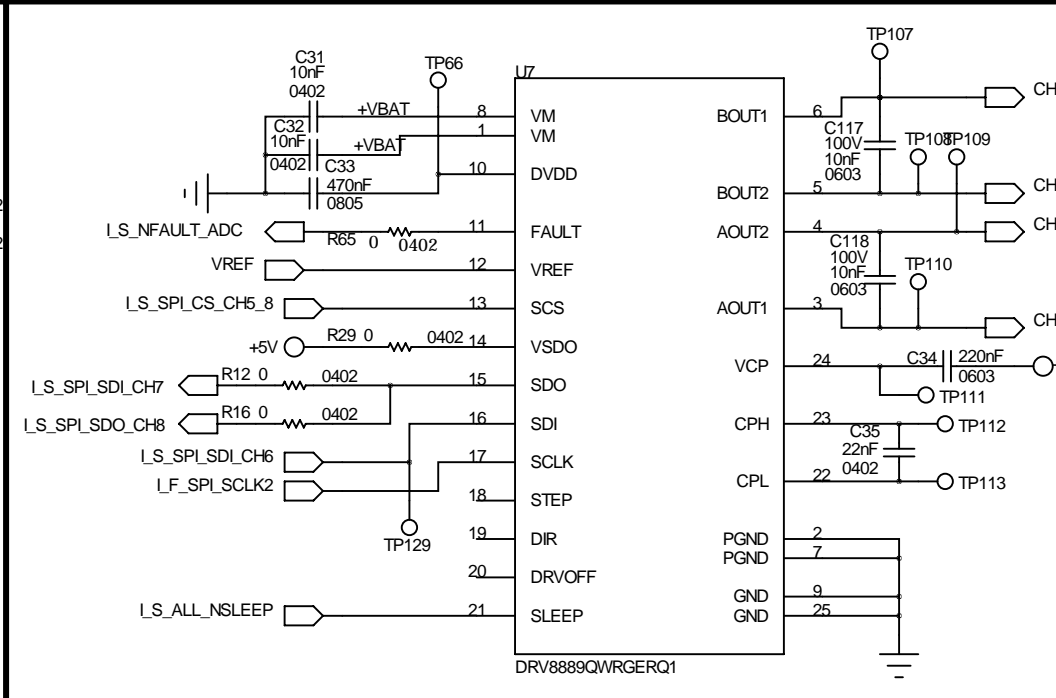
H:Chanel 3



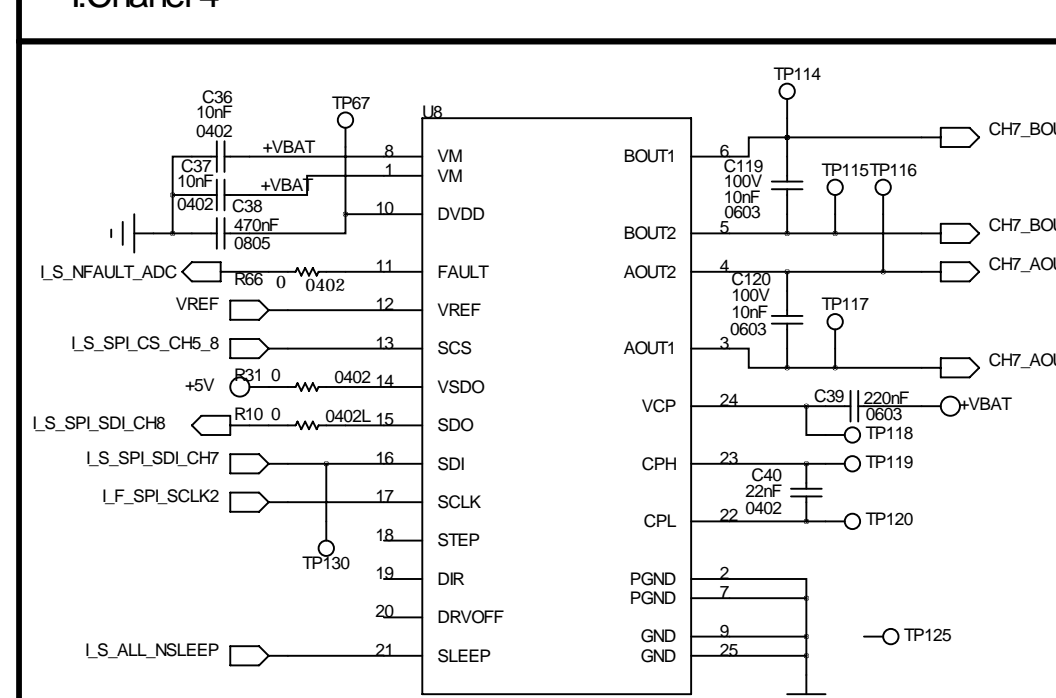
I:Chanel 4



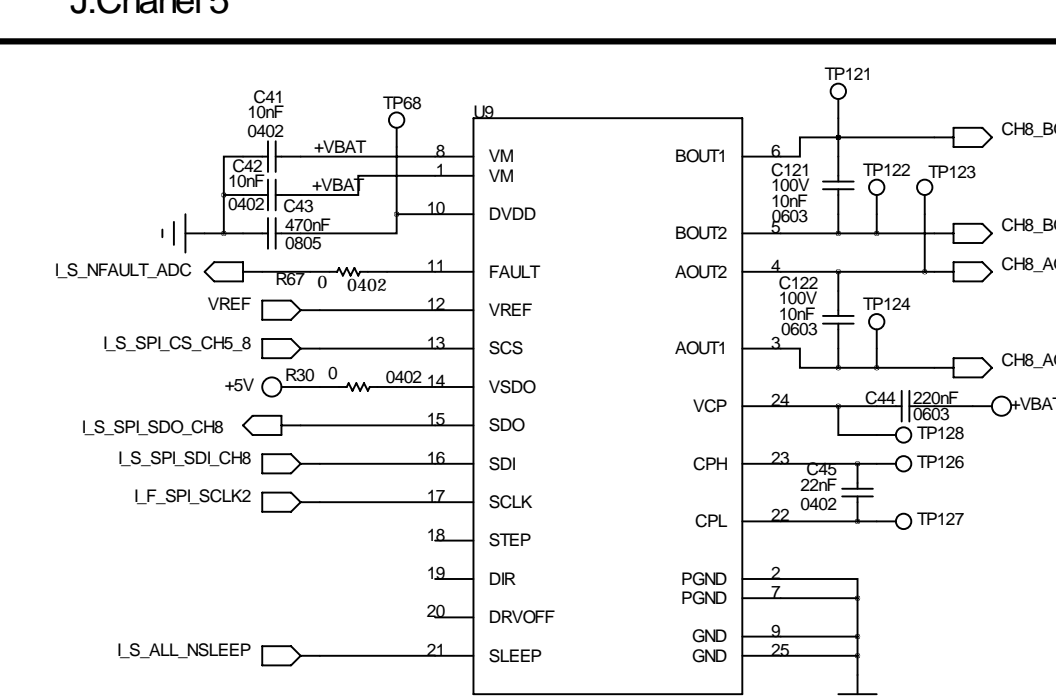
J:Chanel 5



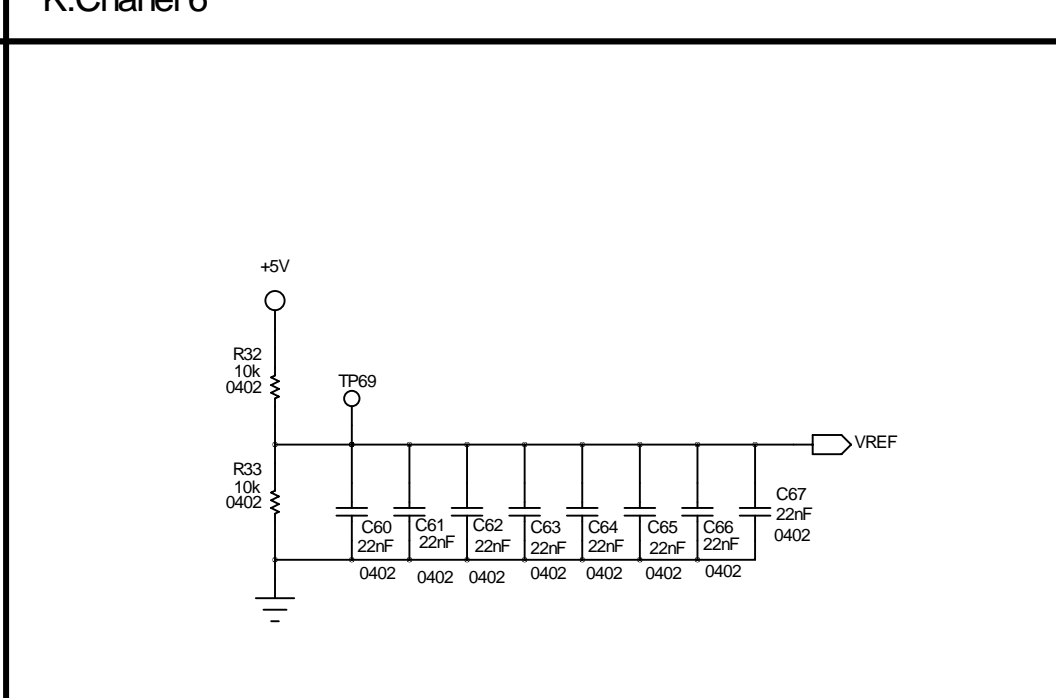
K:Chanel 6



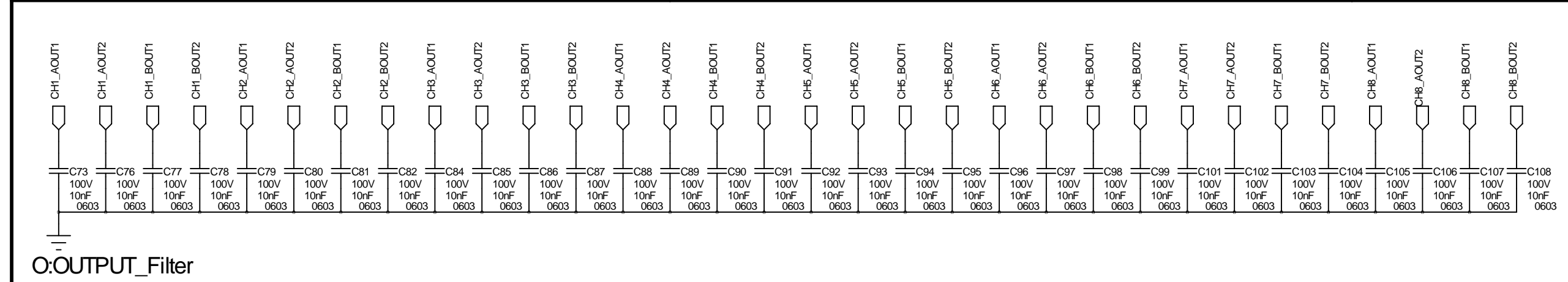
L:Chanel 7



M:Chanel 8



N:VREF-DRV8889



O:OUTPUT_Filter

DRAWN: ÖÜ° £ » a		DATED: 2020.07.07	
CHECKED: <Checked By>		DATED: <Checked Date>	
QUALITY CONTROL: <QC By>		DATED: <QC Date>	
RELEASED: <Released By>		DATED: <Release Date>	

TITLE: Power&MCU			
CODE:	SIZE:	DRAWING NO:	REV:
<Code>	A2	<Drawing Number>	1.0
SCALE: <Scale>			SHEET: 2 / 2