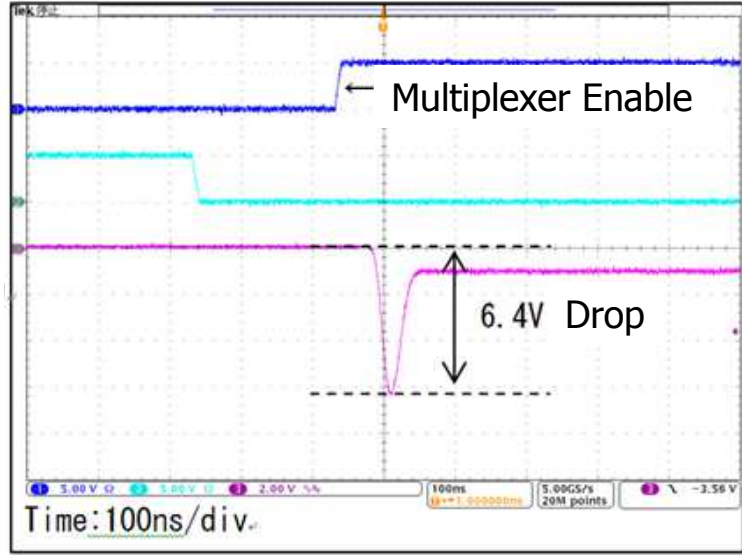
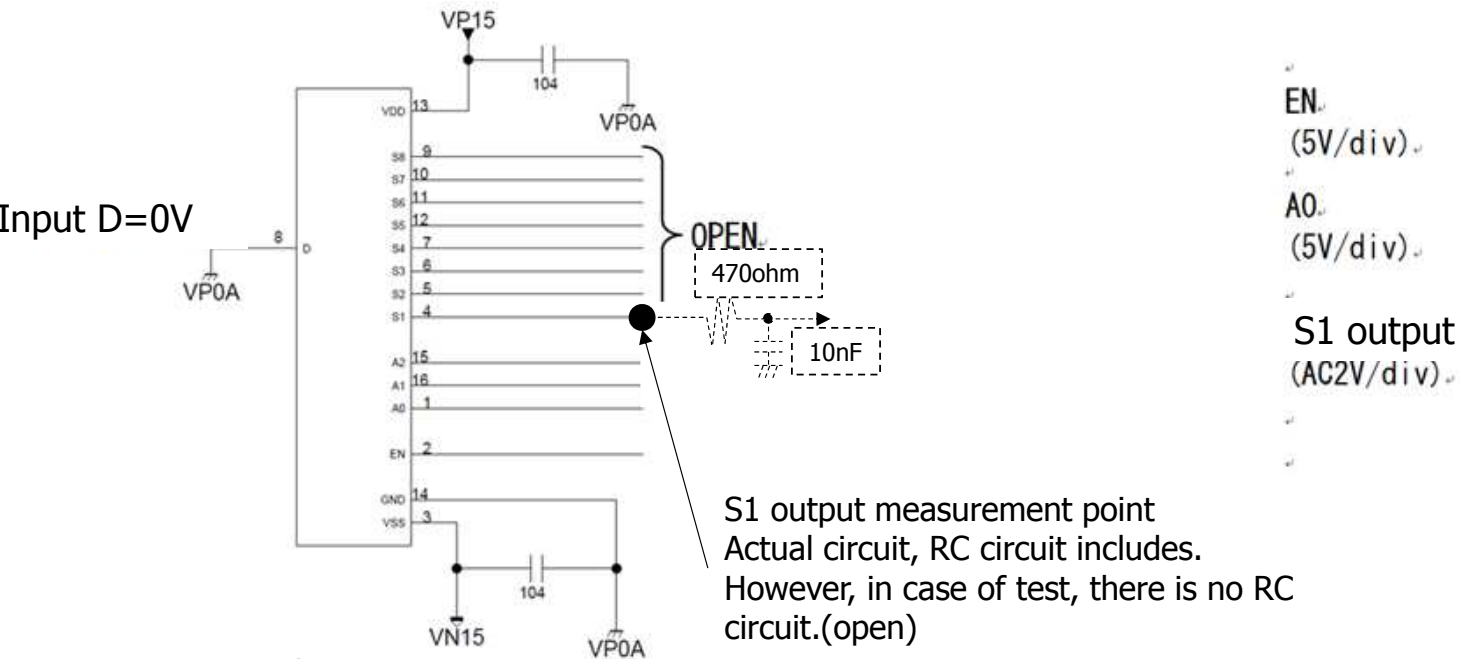


<MUX508 – Voltage drop in case of EN operation>



<Measurement condition>
 • Power source: ±15V(±5%)
 • D-pin: 0V • A0, A1, A2, EN: High Level: 5V, Low Level: 0V

<Question>
When Multiplexer enables, at S1 output, it occurs 6.4V drops.
Actual circuit, RC circuit includes. So, in case of actual circuit, S1 output connects to S/H circuit via RC filter.
The voltage drop of actual circuit is 30mV(with RC circuit), however our customer would like to reduce it within 10mV.
When our customer used MPC508, there is no voltage drop. So, our customer would like to use MUX508 with no drop.
As our customer's request,
-they want to distribute 1ch DAC voltage to S/H circuit using MUX508
-they don't want to use huge value capacitance at RC circuit, because it will be delay of signal.
If you have some advice, could you give us?(Especially, by removing the charge, we guess that it is possible to reduce drop voltage.)