

PIN DETECTION

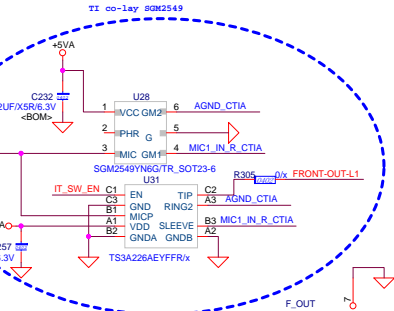
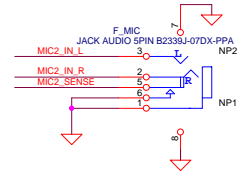
PIN13-----JD1
 5.1K --- 35/36---FRONT
 10K --- 23/24---LINE
 20K ---21/22---MIC
 39.2K ---39/41---SURR

PIN34-----JD2
 5.1K --- 45/46---SIDESURR
 10K --- 43 ---CEN
 20K ---16/17---MIC2
 39.2K ---14/15---LINE2

MIC1_R_S C254 | 10UF 6.3V X5R 0603 R359 75 1% 0402 MIC_F_R

MIC2_R_S C214 | 10UF 6.3V X5R 0603 R59 75 1% 0402 MIC2_F_R

MIC2_L_S C215 | 10UF 6.3V X5R 0603 R66 75 1% 0402 MIC2_F_L



For Disable MIC table for headphone and MIC-2 CONTROL MIC-1 --> 2019-05-05

1. add Q39 for only CTIA.
 2. R304 co-layer Q39

For SW off:

```

model1:
EN=0 SW off, FPMIC1_SENSE=1(default)
EN=1 SW on, FPMIC1_SENSE=0
model2:
EN=0 SW off, FPMIC1_SENSE=1(default)
EN=1 SW on, FPMIC1_SENSE=0

```

