

PROPRIETARY
 WARNING: This document may contain export controlled information

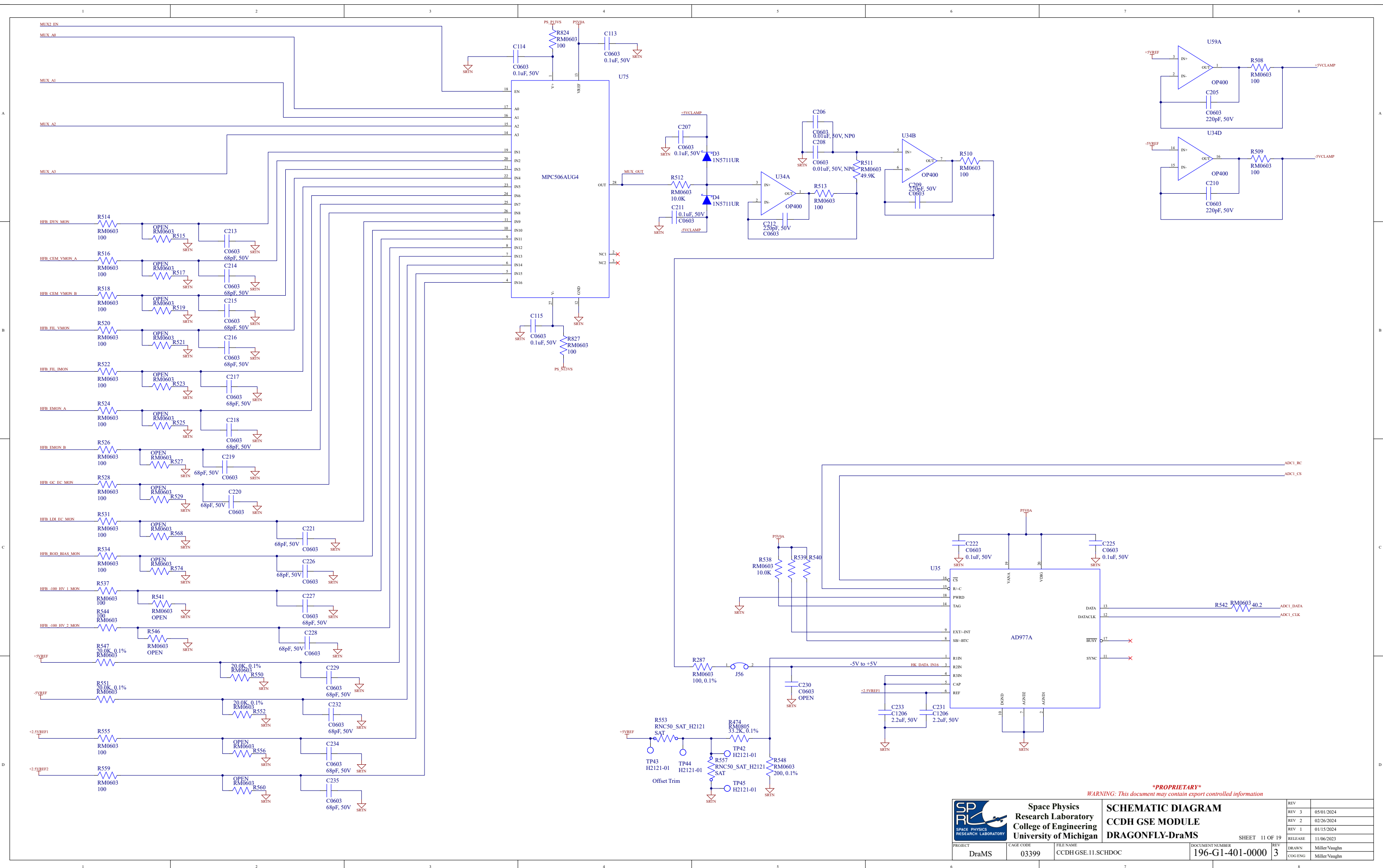


Space Physics Research Laboratory
 College of Engineering
 University of Michigan

SCHEMATIC DIAGRAM
CCDH GSE MODULE
DRAGONFLY-DraMS

PROJECT	CAGE CODE	FILE NAME	DOCUMENT NUMBER	SHEET	REV	DATE
DraMS	03399	CCDH GSE.10.SchDoc	196-G1-401-0000	10 OF 19	3	

REV	DATE
REV 3	05/01/2024
REV 2	02/26/2024
REV 1	01/15/2024
RELEASE	11/06/2023
DRAWN	Miller/Vaughn
COG ENG	Miller/Vaughn



PROPRIETARY
 WARNING: This document may contain export controlled information

 Space Physics Research Laboratory College of Engineering University of Michigan	SCHEMATIC DIAGRAM CCDH GSE MODULE DRAGONFLY-DraMS	SHEET 11 OF 19 REV 3
	PROJECT: DraMS CAGE CODE: 03399 FILE NAME: CCDH.GSE.11.SCHDOC	DOCUMENT NUMBER: 196-G1-401-0000 REV 3

REV 3	05/01/2024	RELEASE	11/06/2023
REV 2	02/26/2024	DRAWN	Miller/Vaughn
REV 1	01/15/2024	COG ENG	Miller/Vaughn