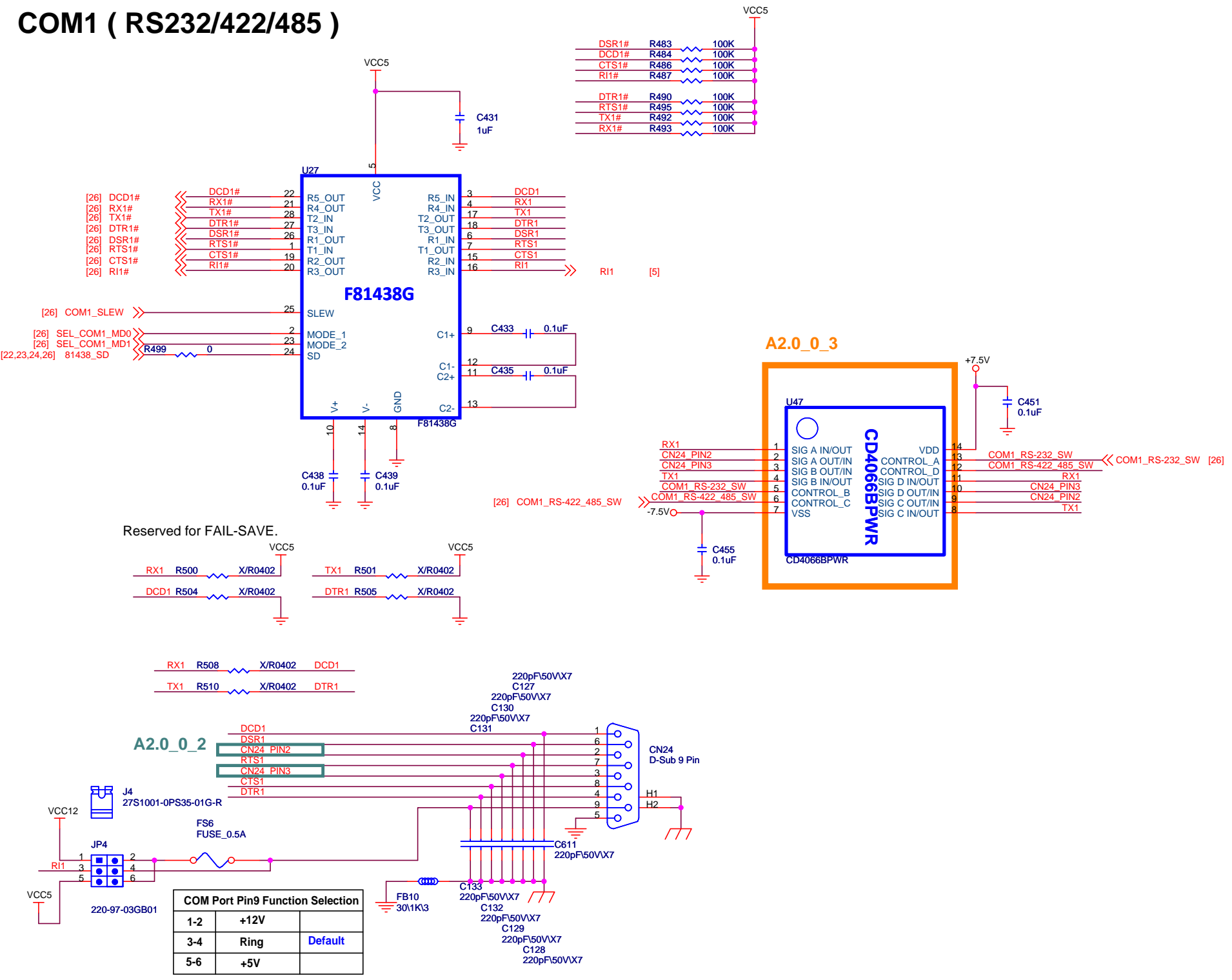
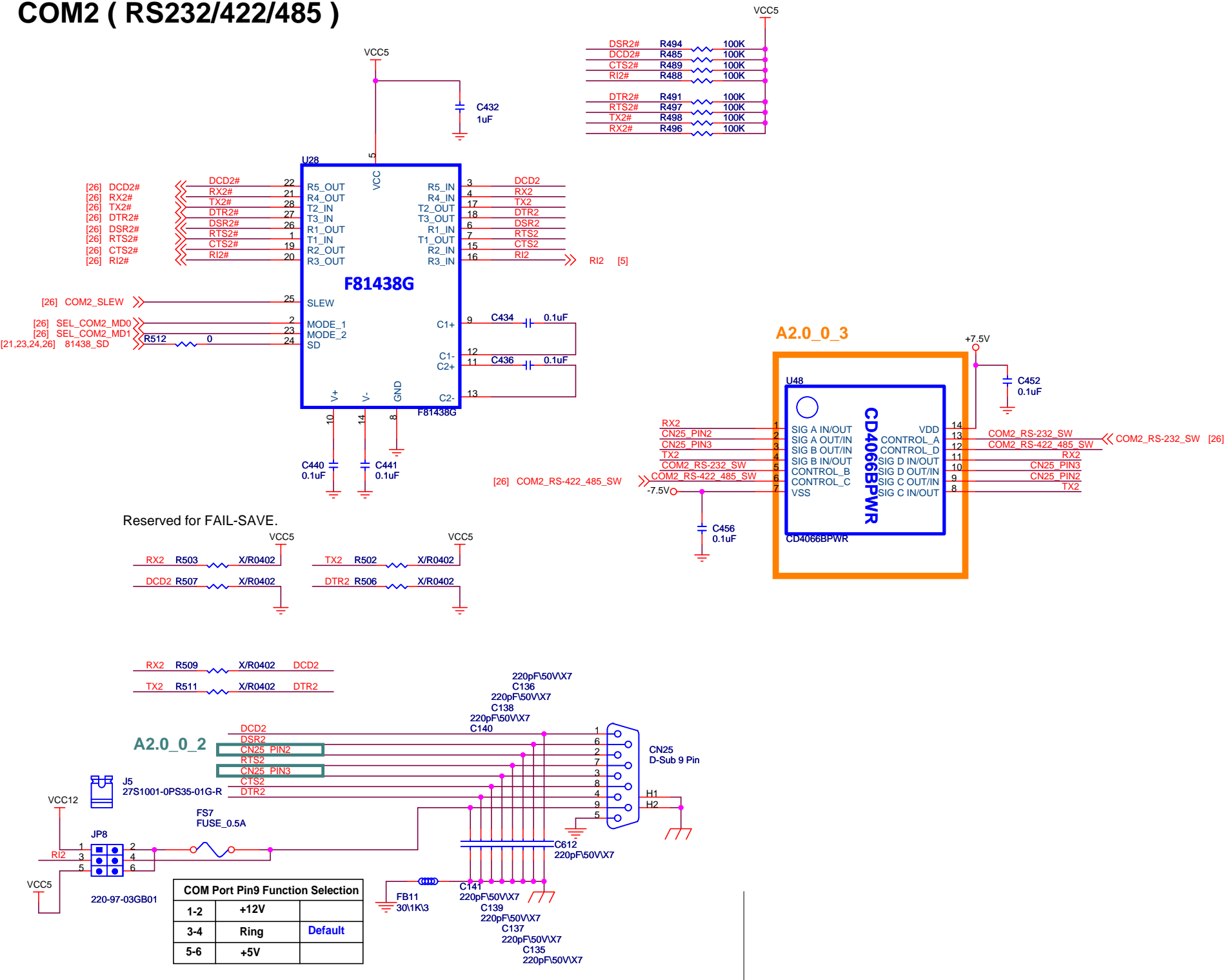


# COM1 ( RS232/422/485 )



# COM2 ( RS232/422/485 )



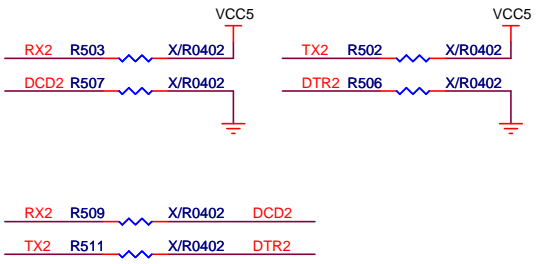
- DSR2# R494 100K
- DCD2# R485 100K
- CTS2# R489 100K
- RI2# R488 100K
- DTR2# R491 100K
- RTS2# R497 100K
- TX2# R498 100K
- RX2# R496 100K

- [26] DCD2#
- [26] RX2#
- [26] TX2#
- [26] DTR2#
- [26] DSR2#
- [26] RTS2#
- [26] CTS2#
- [26] RI2#

- [26] COM2\_SLEW
- [26] SEL\_COM2\_MD0
- [26] SEL\_COM2\_MD1
- [21,23,24,26] 81438\_SD

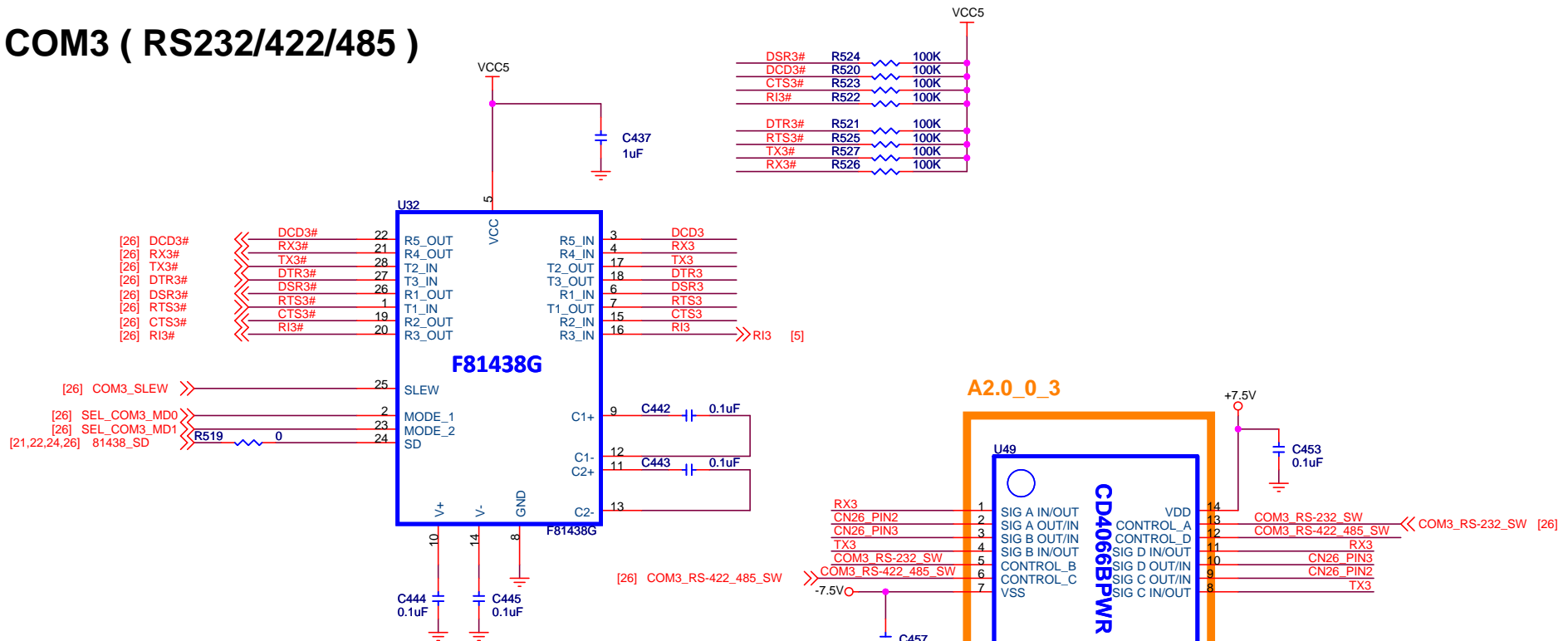
- COM2\_RS-232\_SW
- COM2\_RS-422\_485\_SW
- COM2\_RS-232\_SW
- COM2\_RS-422\_485\_SW
- COM2\_RS-232\_SW
- COM2\_RS-422\_485\_SW

Reserved for FAIL-SAVE.

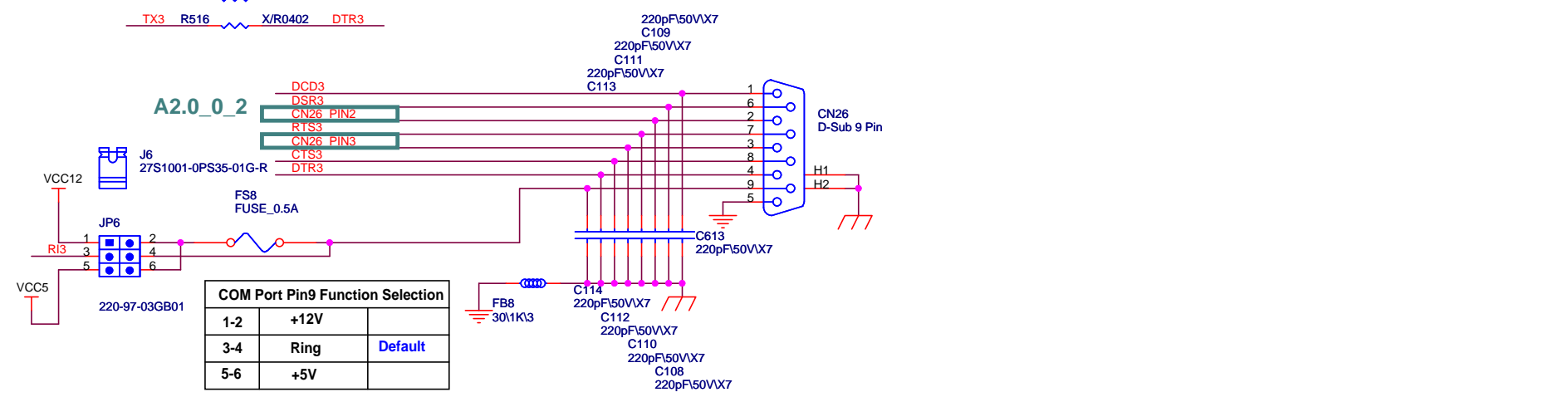
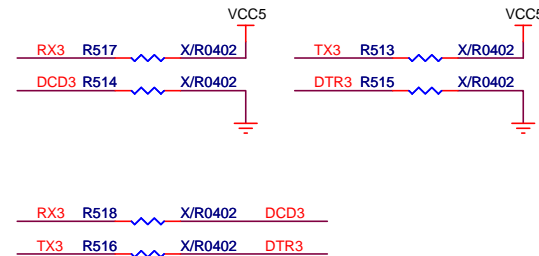


COM Port Pin9 Function Selection		
1-2	+12V	
3-4	Ring	Default
5-6	+5V	

# COM3 ( RS232/422/485 )



Reserved for FAIL-SAVE.



COM Port Pin9 Function Selection		
1-2	+12V	
3-4	Ring	Default
5-6	+5V	

