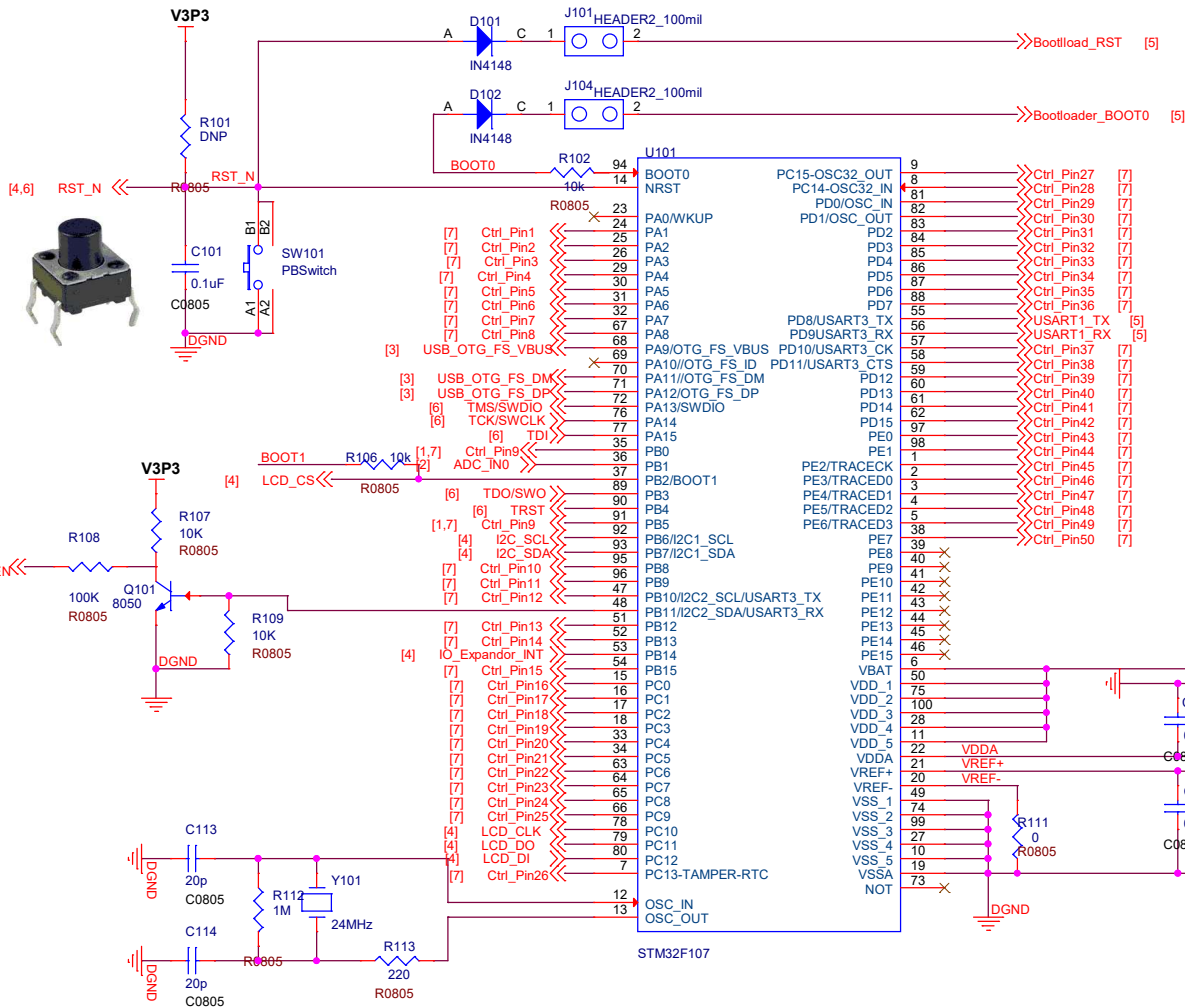


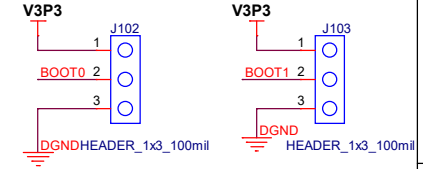
# MCU



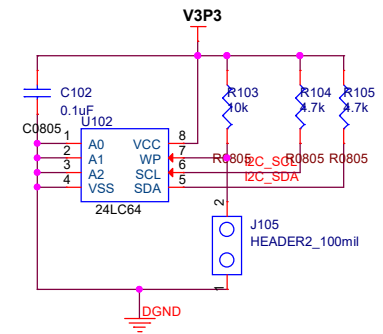
BOOT0 default Low

# BOOT SELECT

**BOOT0 = 0 BOOT1 = X** User FLASH  
**BOOT0 = 1 BOOT1 = 0** System Memory  
**BOOT0 = 1 BOOT1 = 1** Embedded SRAM

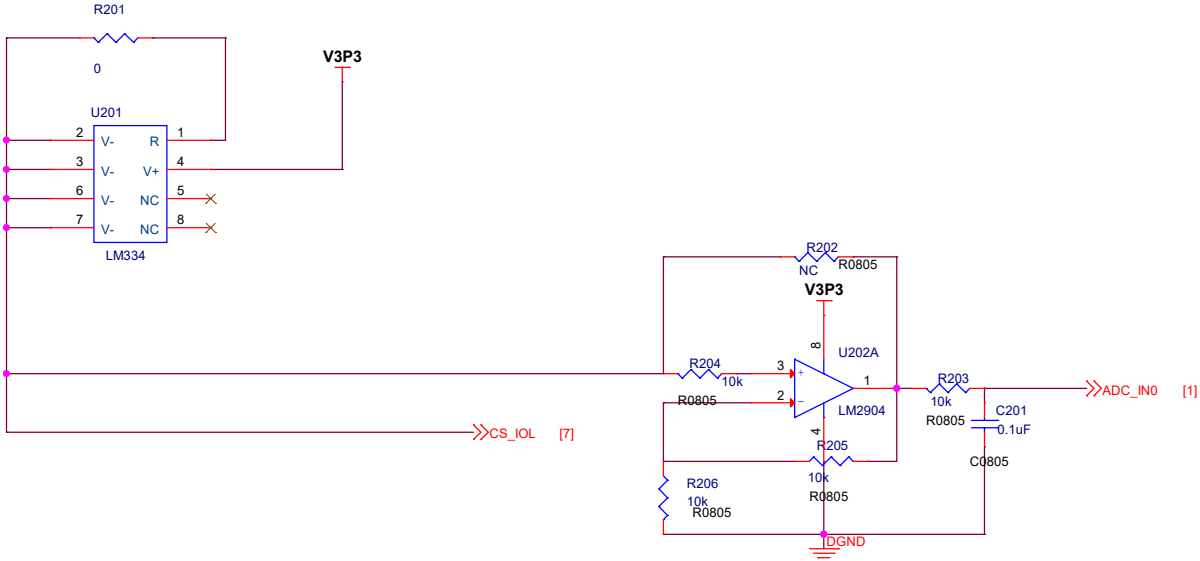


# EEPROM



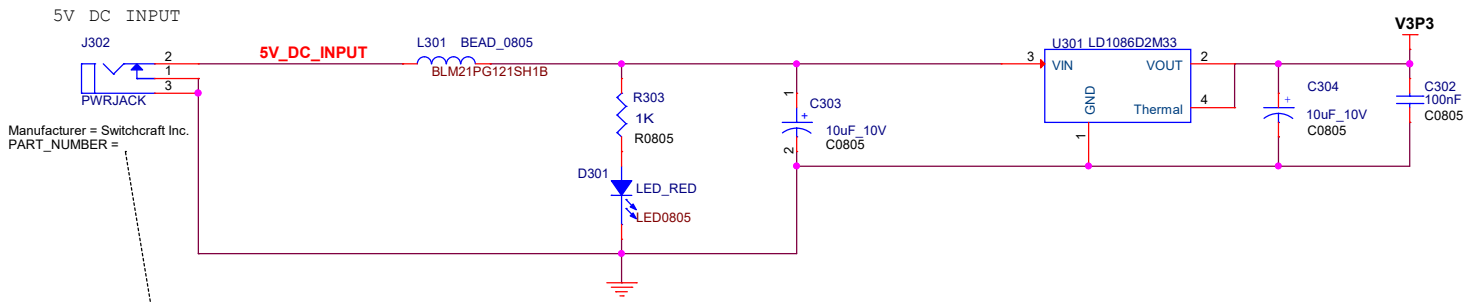
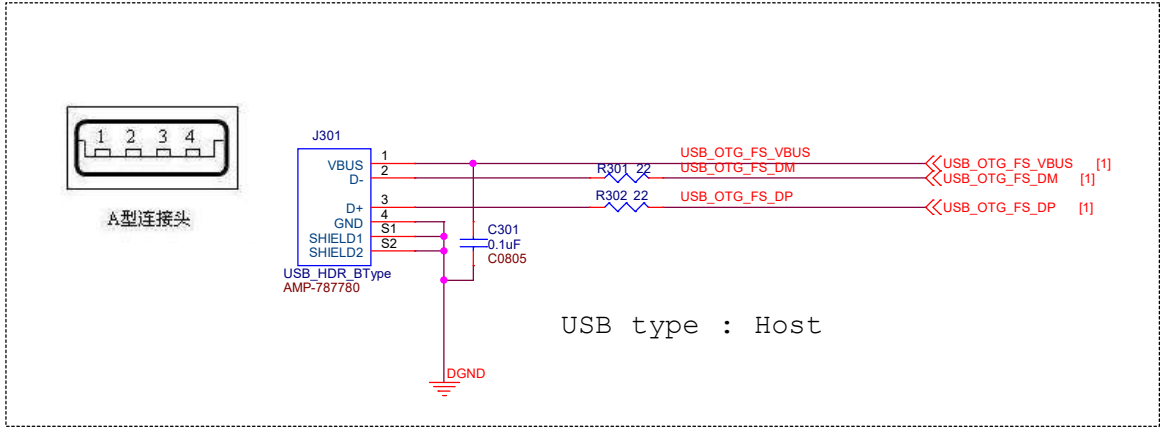
Title		
MCU		
Size	Document Number	Rev
B	<Doc>	V0.2
Date:	Tuesday, August 18, 2020	Sheet 1 of 8

# Open/Short Test Diagram

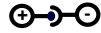


ADC\_PIN\_VDD < 0.2V PIN Short with VDD  
 ADC\_PIN\_VDD >1.5V PIN Open with VDD

Title		
OS_Test		
Size	Document Number	Rev
B	<Doc>	V0.2
Date:	Tuesday, August 18, 2020	Sheet 2 of 8

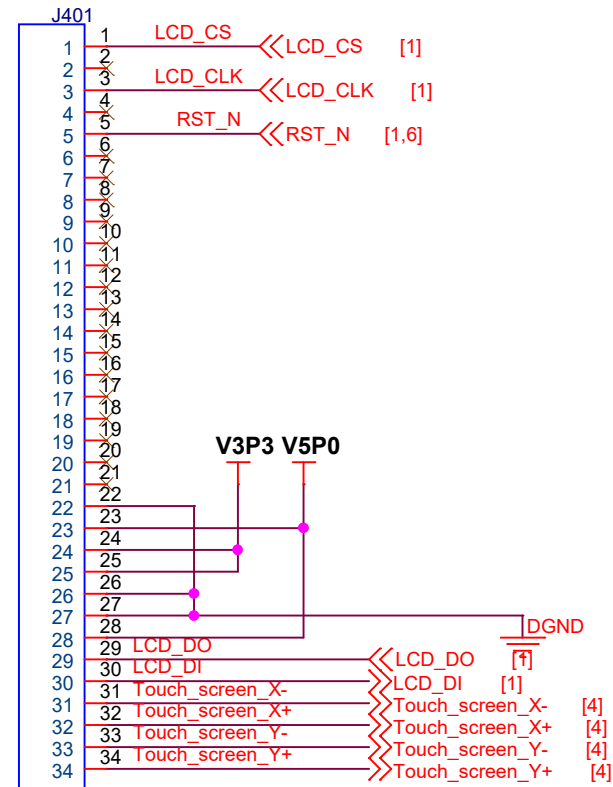


**DC ADAPTER SPECIFICATIONS**

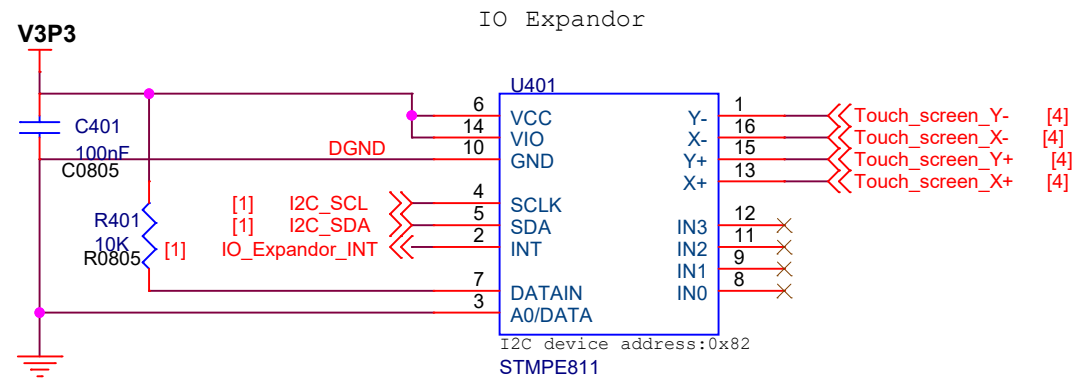
DC Voltage Output: 5VDC  
 Current Output: ~ 4A (Depending on application)  
 Polarity:   
 Inner Diameter: 2mm  
 Outer Diameter: 5.5mm

Manufacturer = Switchcraft Inc.  
 PART\_NUMBER =

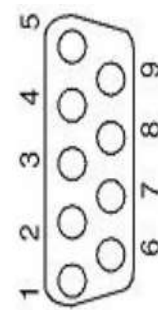
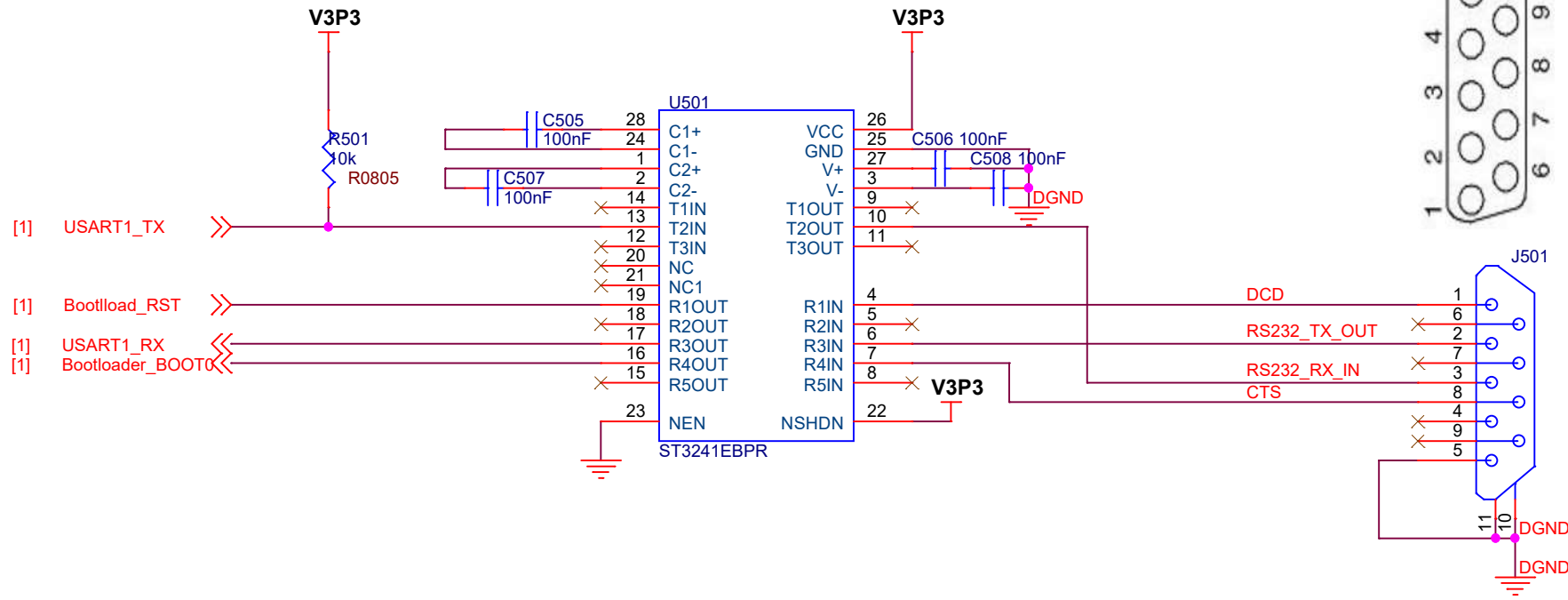
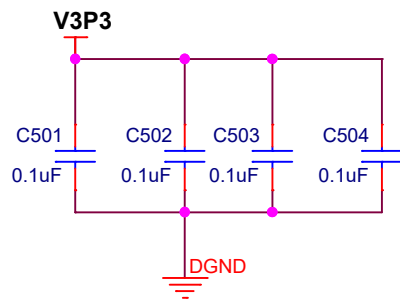
Title			POWER
Size	Document Number	Rev	
B	<Doc>	V0.2	
Date:	Tuesday, August 18, 2020	Sheet	3 of 8



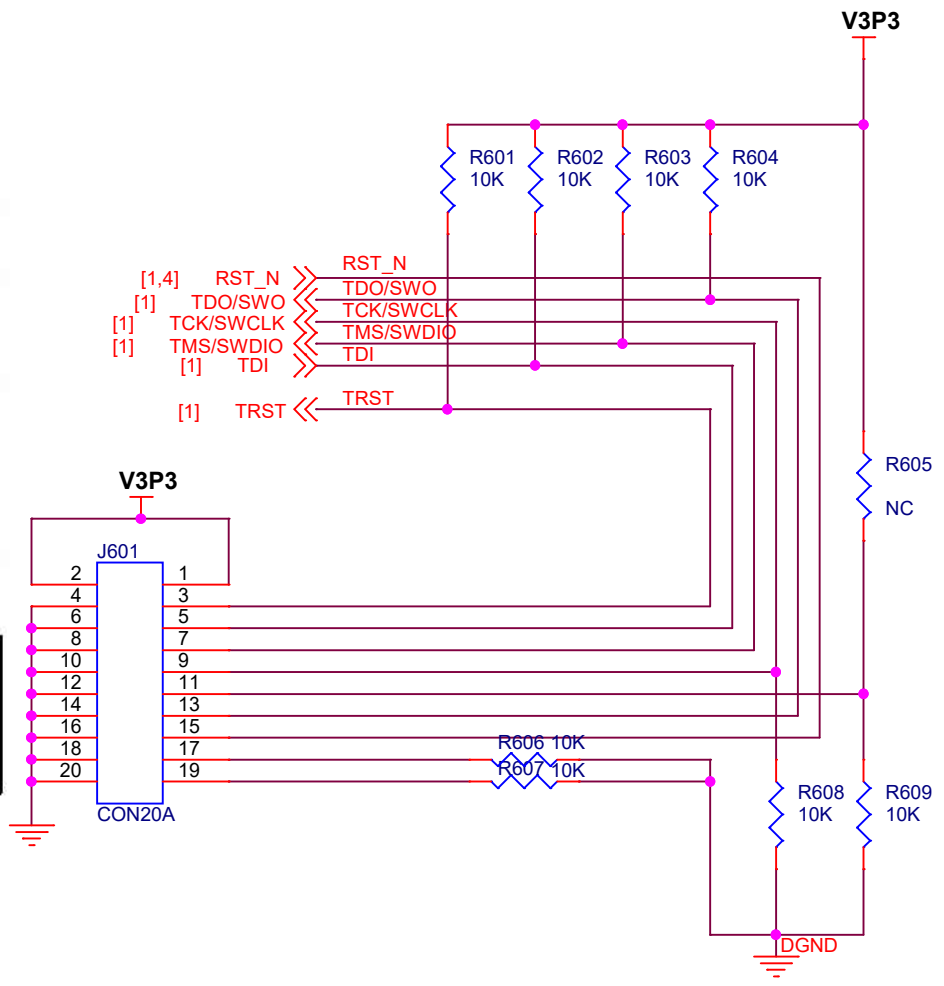
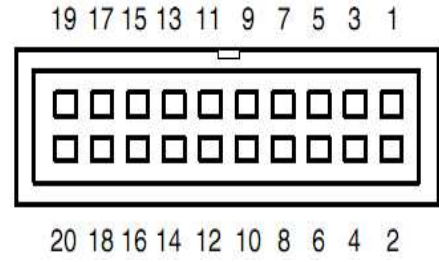
CON34  
**3.2" TFT LCD with touch screen**



Title		
LCD		
Size	Document Number	Rev
A	<Doc>	V0.2
Date:	Tuesday, August 18, 2020	Sheet 4 of 8

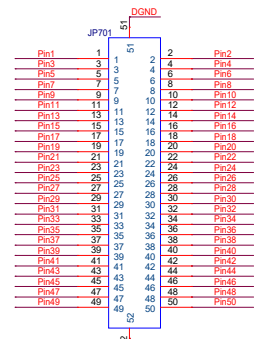


Title		
USART		
Size	Document Number	Rev
A	<Doc>	V0.2
Date:	Tuesday, August 18, 2020	Sheet 5 of 8



Title		
JTAG		
Size	Document Number	Rev
A	<Doc>	V0.2
Date:	Tuesday, August 18, 2020	Sheet 6 of 8

[2] CS\_IOL >>  
 [1] OS\_TEST\_EN >>



Samtec-female-50 Pin



Title		Connector	Rev
Size	C	Document Number	<Doc>
Date:	Thursday, August 20, 2020	Sheet	7 of 8

20200818:add one 100kohm resistor in OS\_TEST\_EN pin in P1.

D

D

C

C

B

B

A

A

Title <Title>		
Size A	Document Number <Doc>	Rev <RevCode>
Date:	Thursday, August 20, 2020	Sheet 8 of 8

5

4

3

2

1