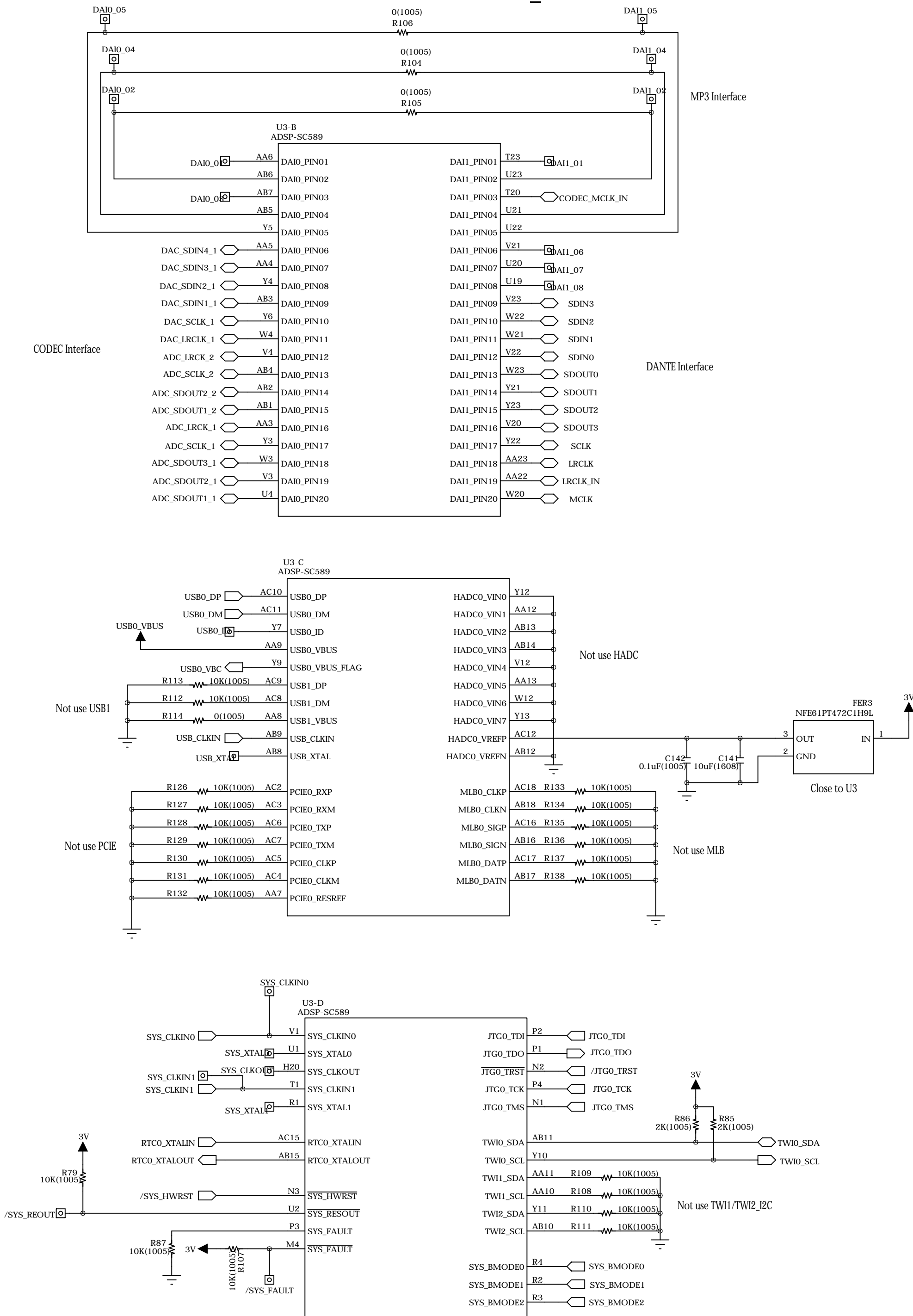
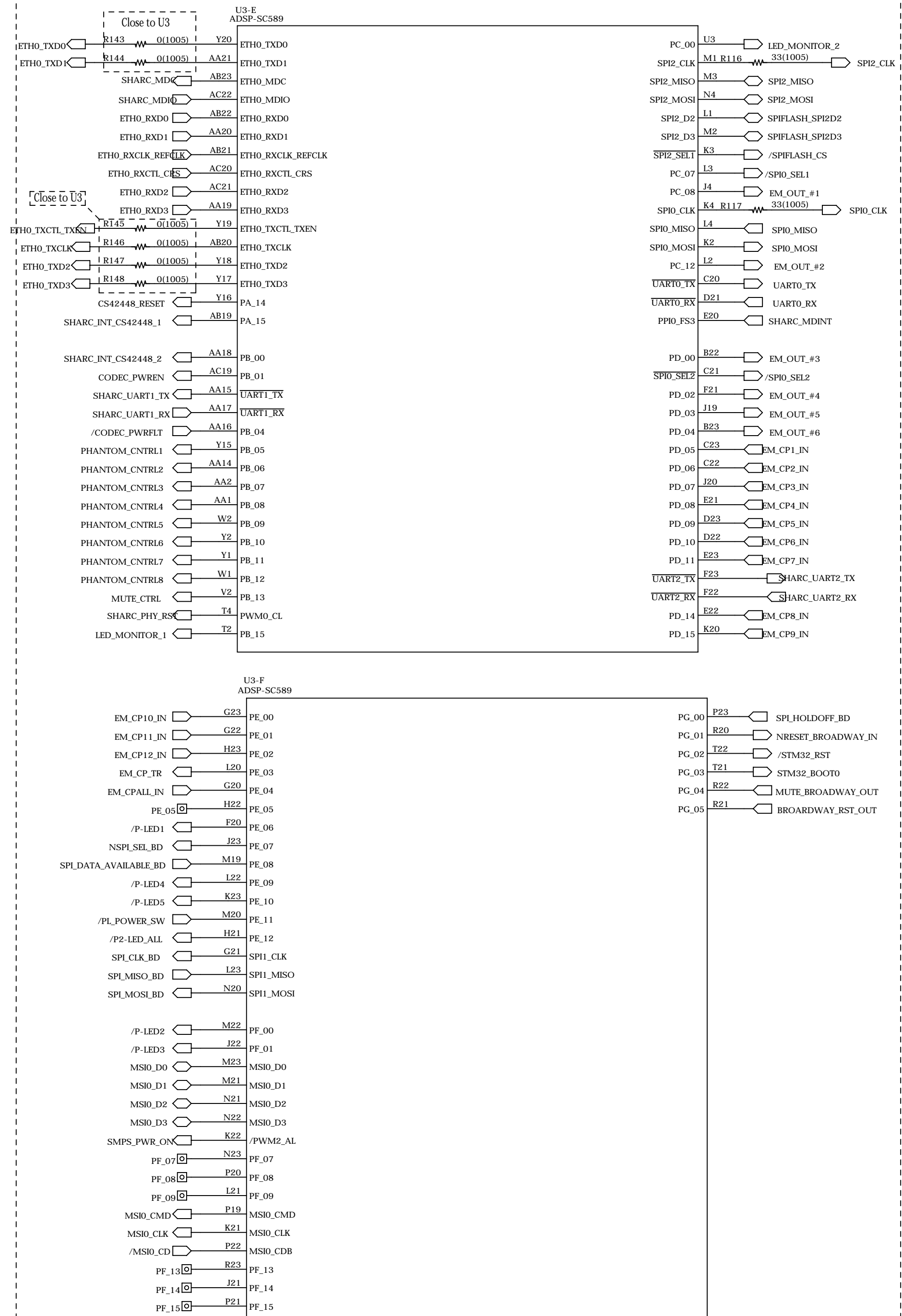


# SHARC+ Module

## NON-MUX\_PORTS

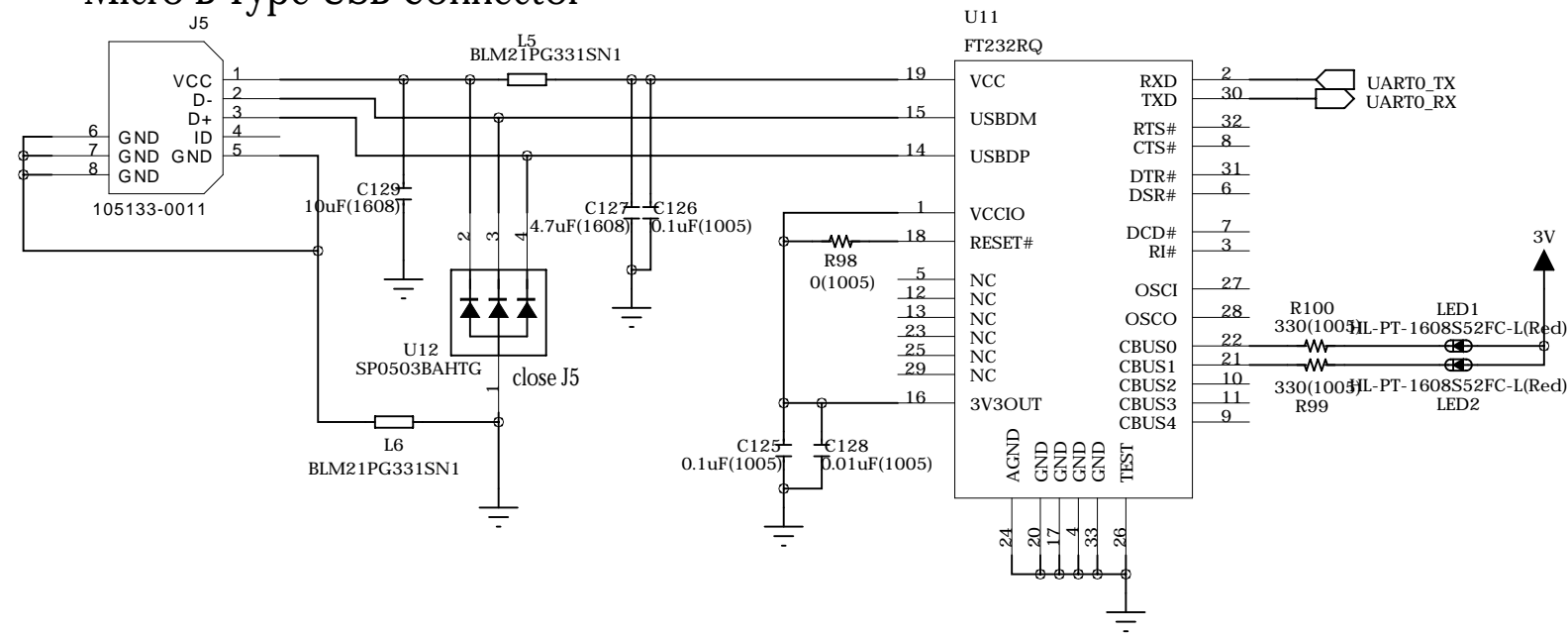


## MUX\_PORTS

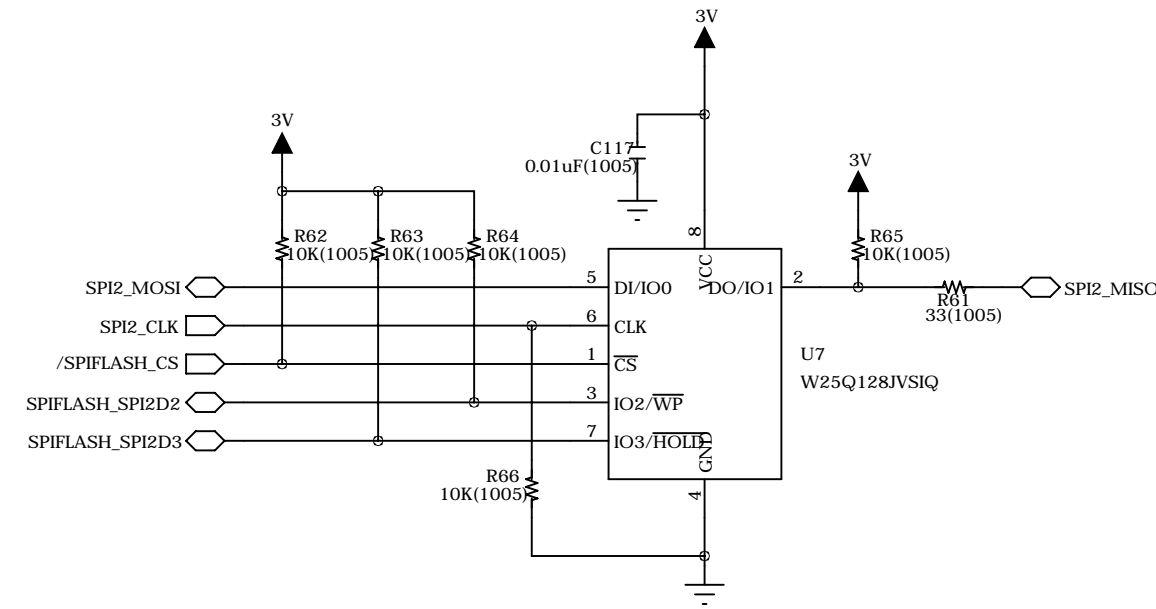


# SHARC+ Module

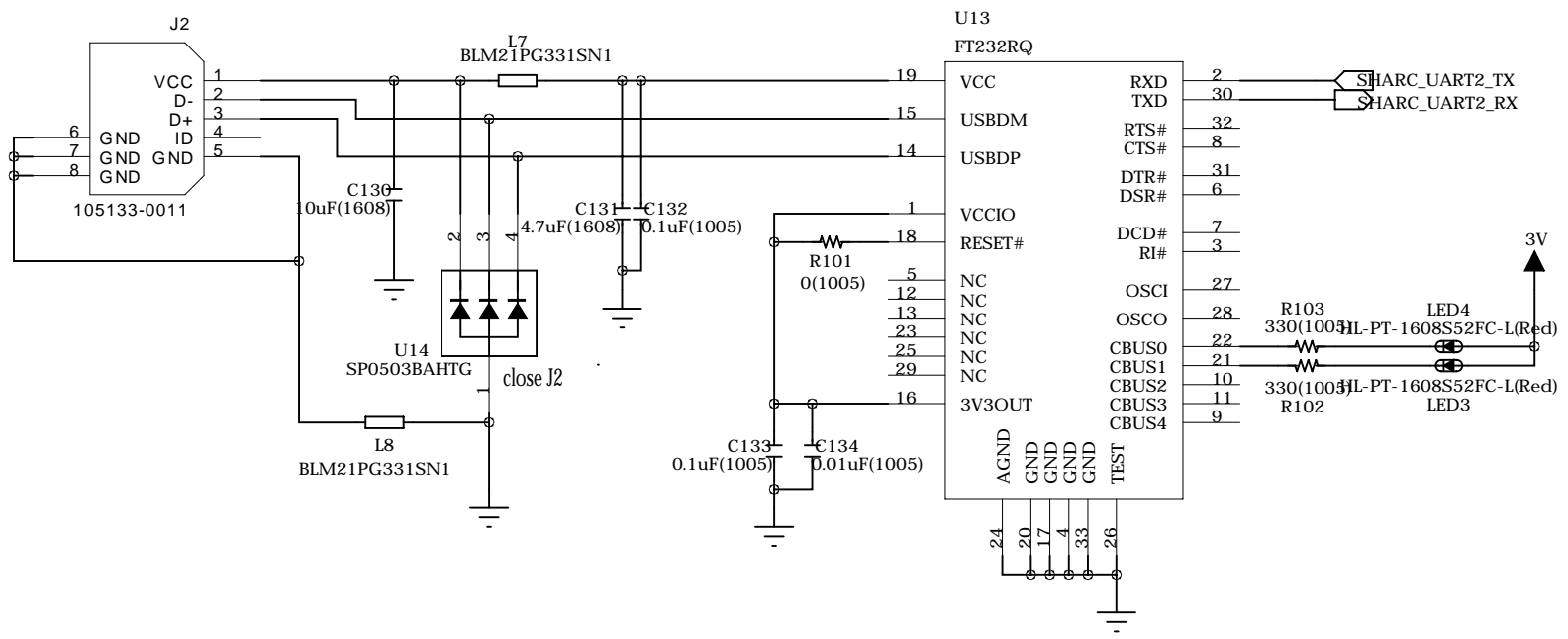
## UART\_0 Micro B Type USB Connector



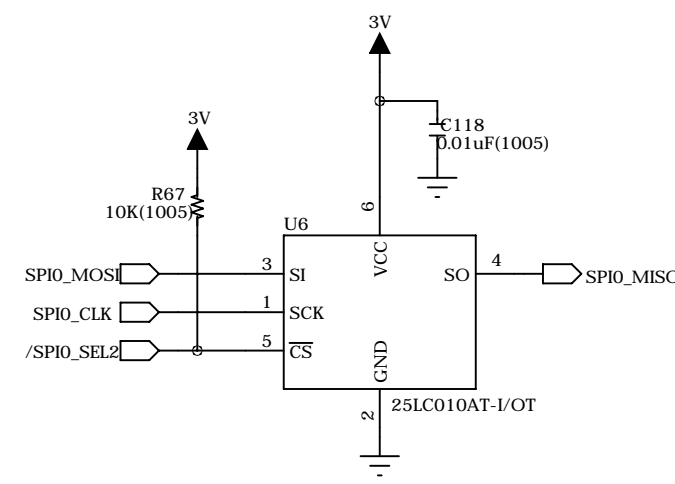
## 128Mb QUAD SPI FLASH Memory



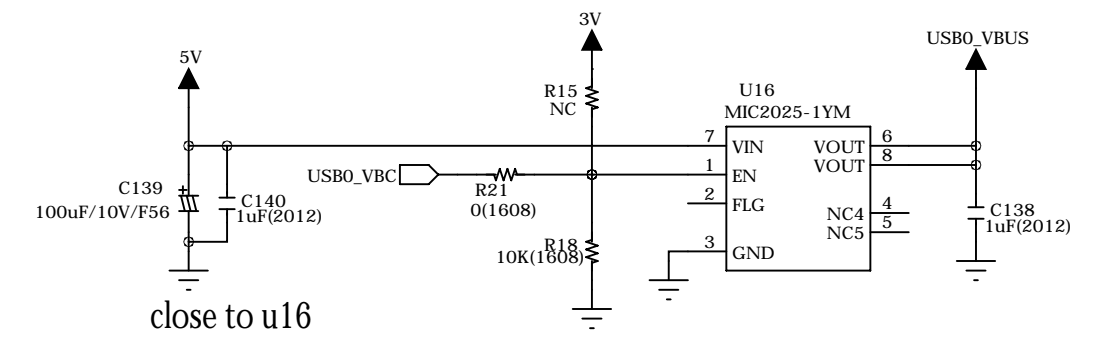
## UART\_2 Micro B Type USB Connector



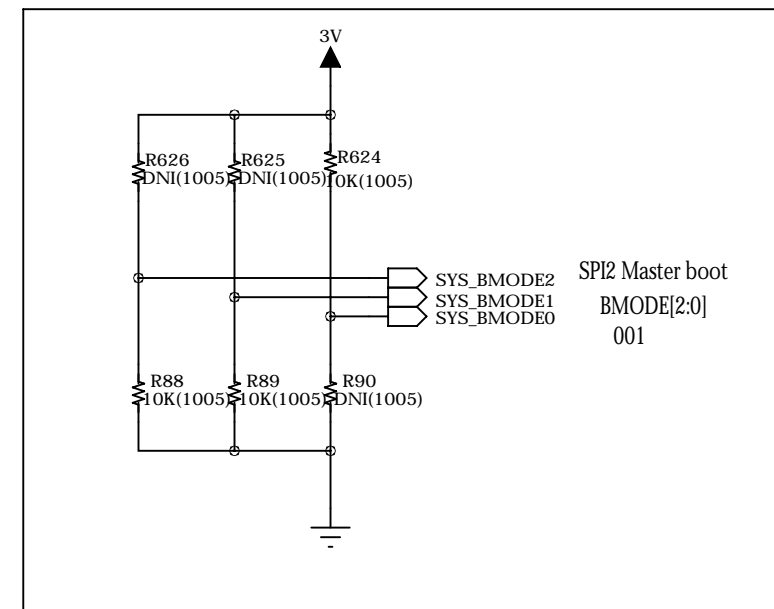
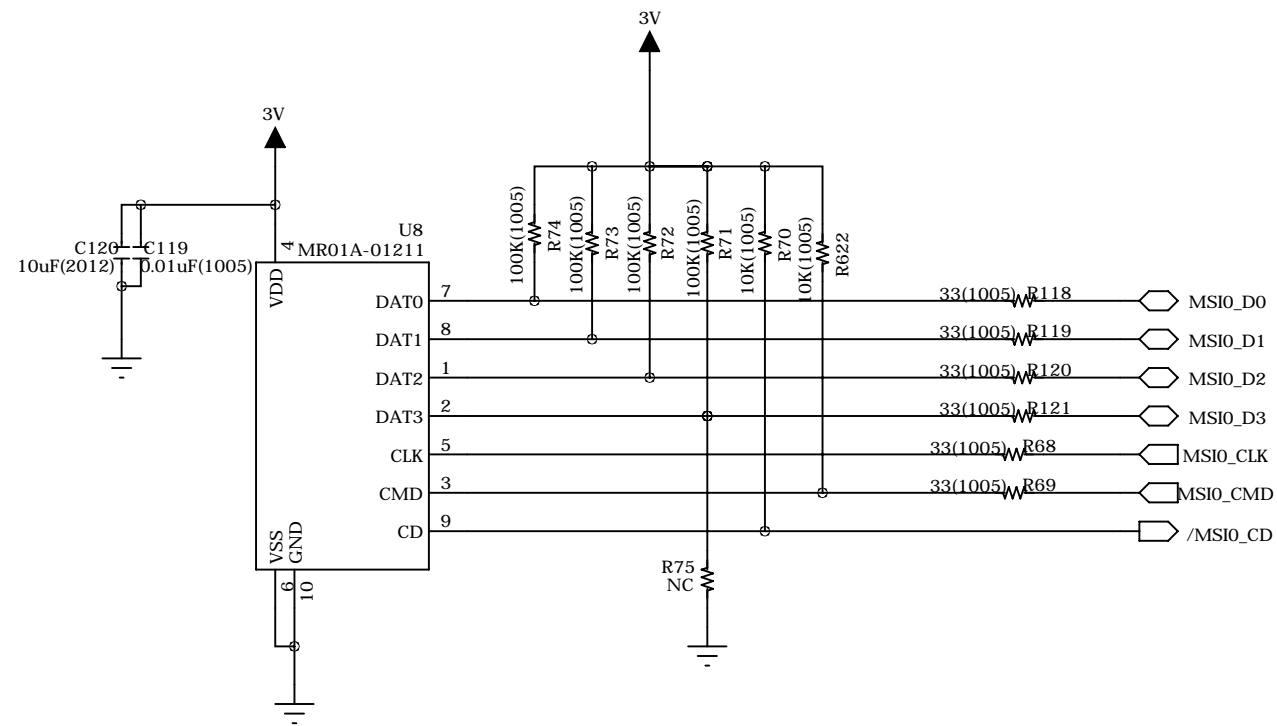
## 1Kb SPI EEPROM



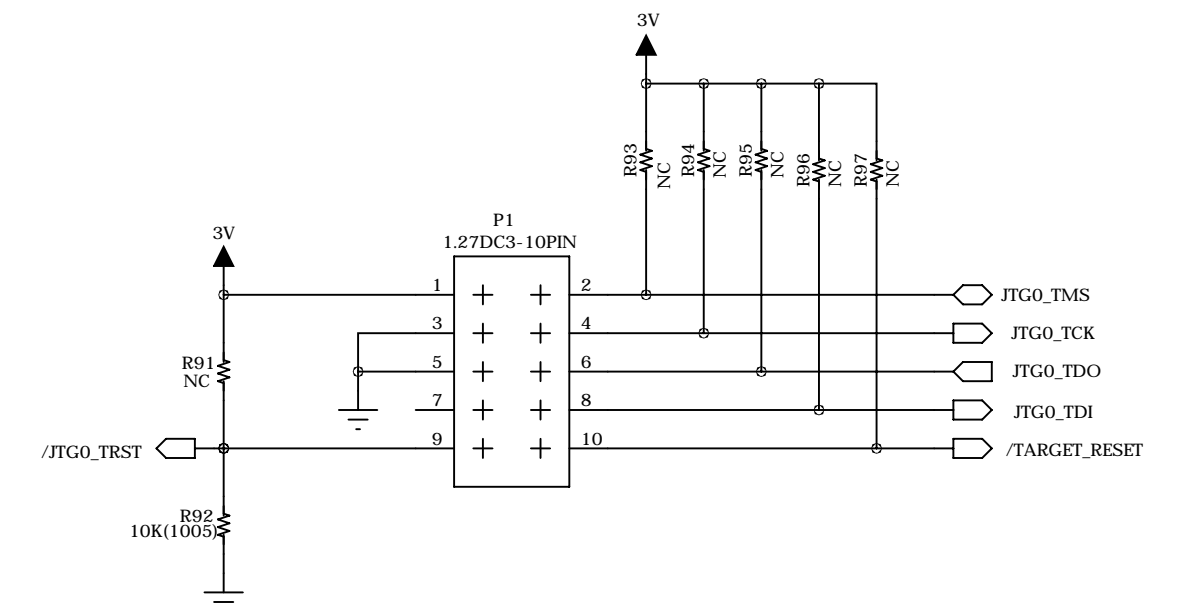
## USB 0 Power Distribution Switch For Standard A Type USB Connector



## Micro SD Card Socket



## DEBUG



# DANTE\_MODULE

## SPI\_FLASH

