

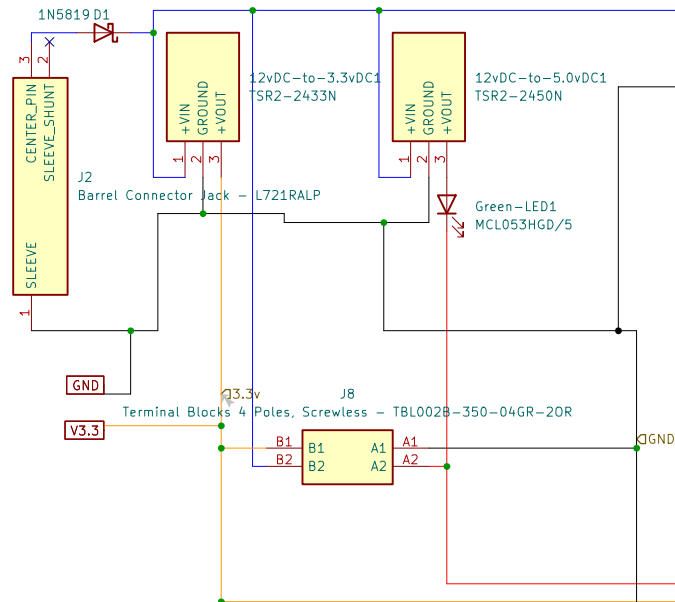
File: USB_Output_1.kicad_sch

File: USB_Output_2.kicad_sch

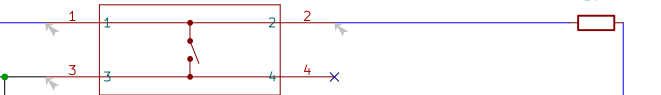
File: USB_Output_3.kicad_sch

File: USB_Output_4.kicad_sch

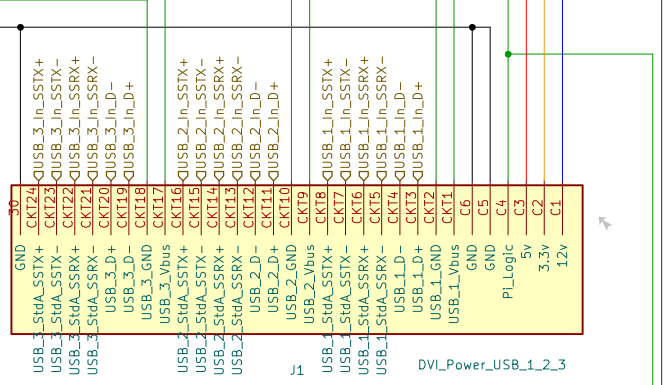
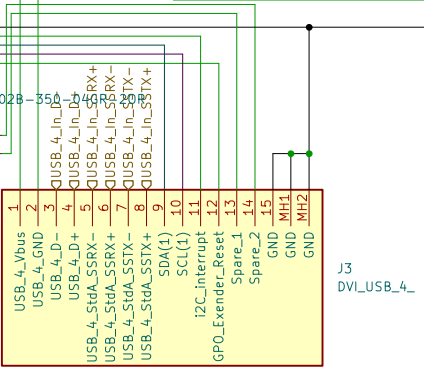
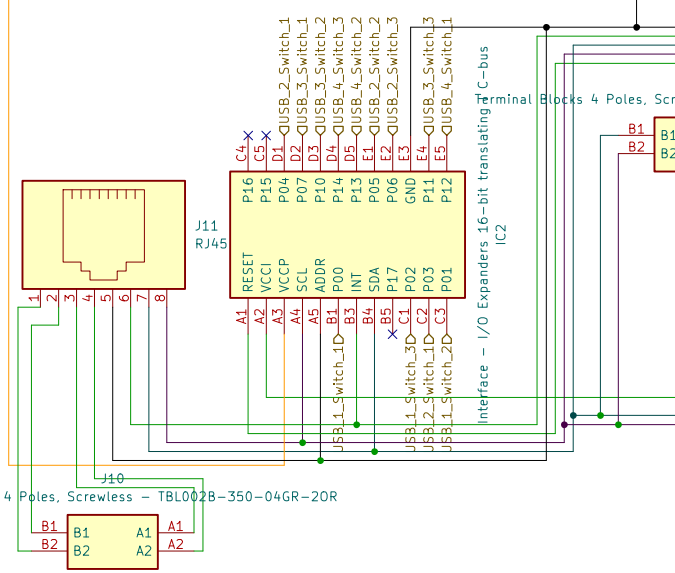
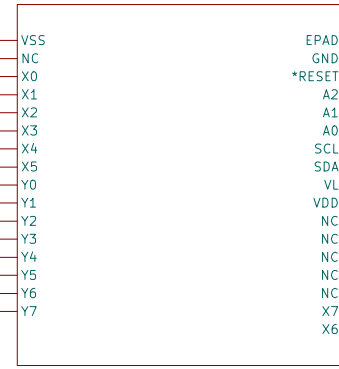
Power&Vbus&GND



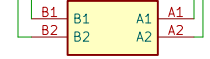
Vbus_Sw_Reset1
Tactile Switches Square - MJTP1138ALTR



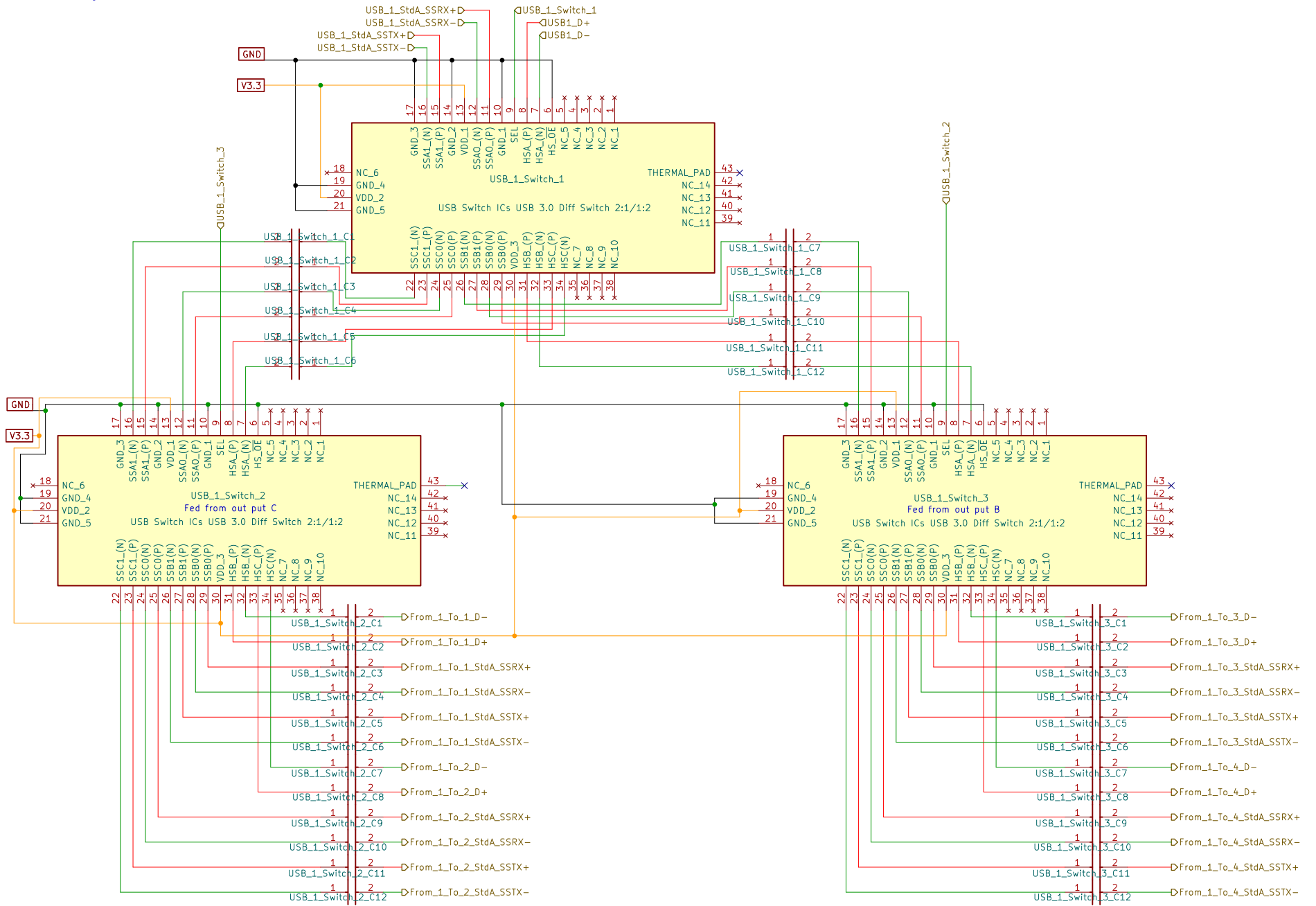
Vbus&GND-Sw1
ADG2188BCPZ-REEL7



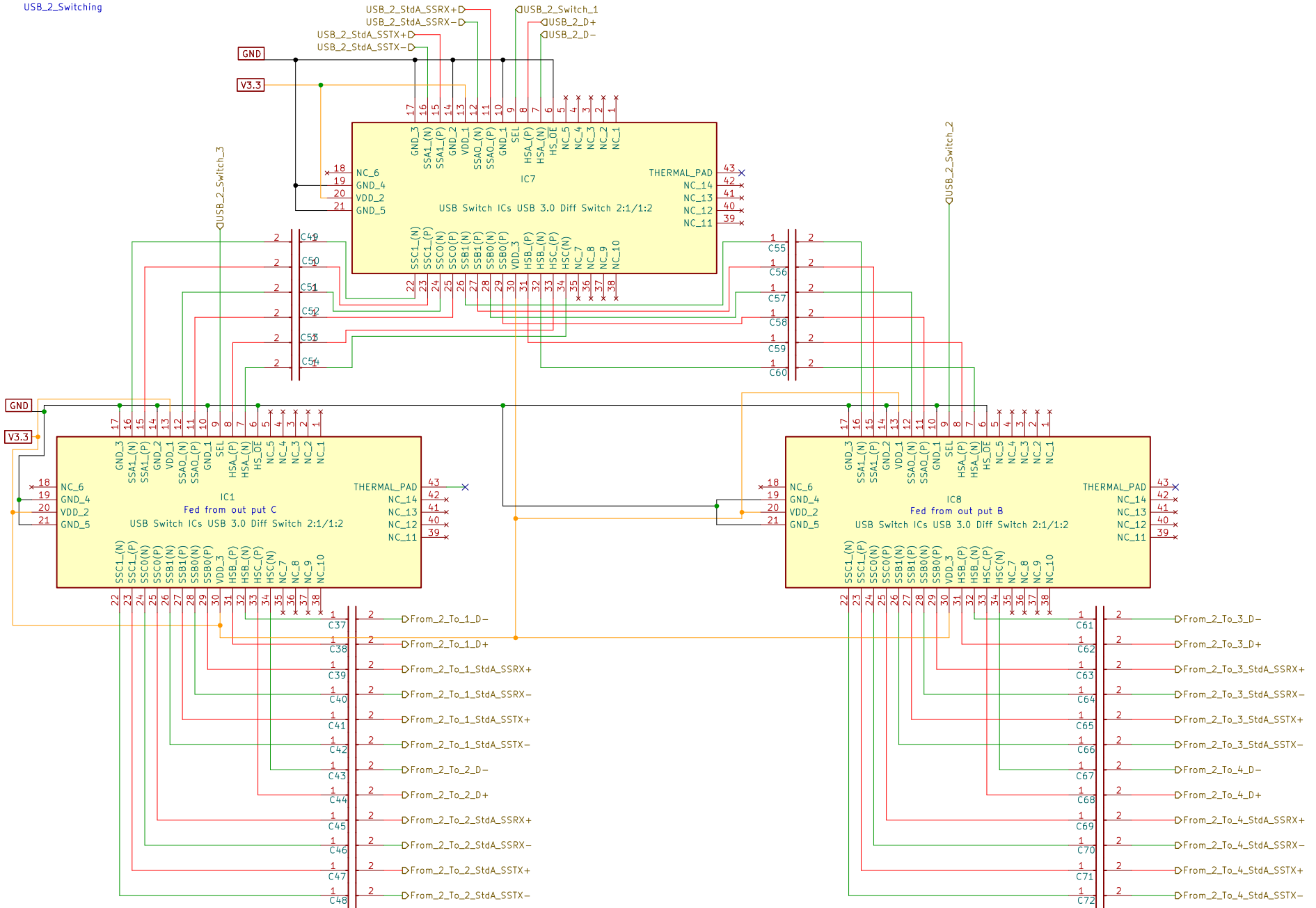
Terminal Blocks 4 Poles, Screwless - TBL002B-350-04GR-20R



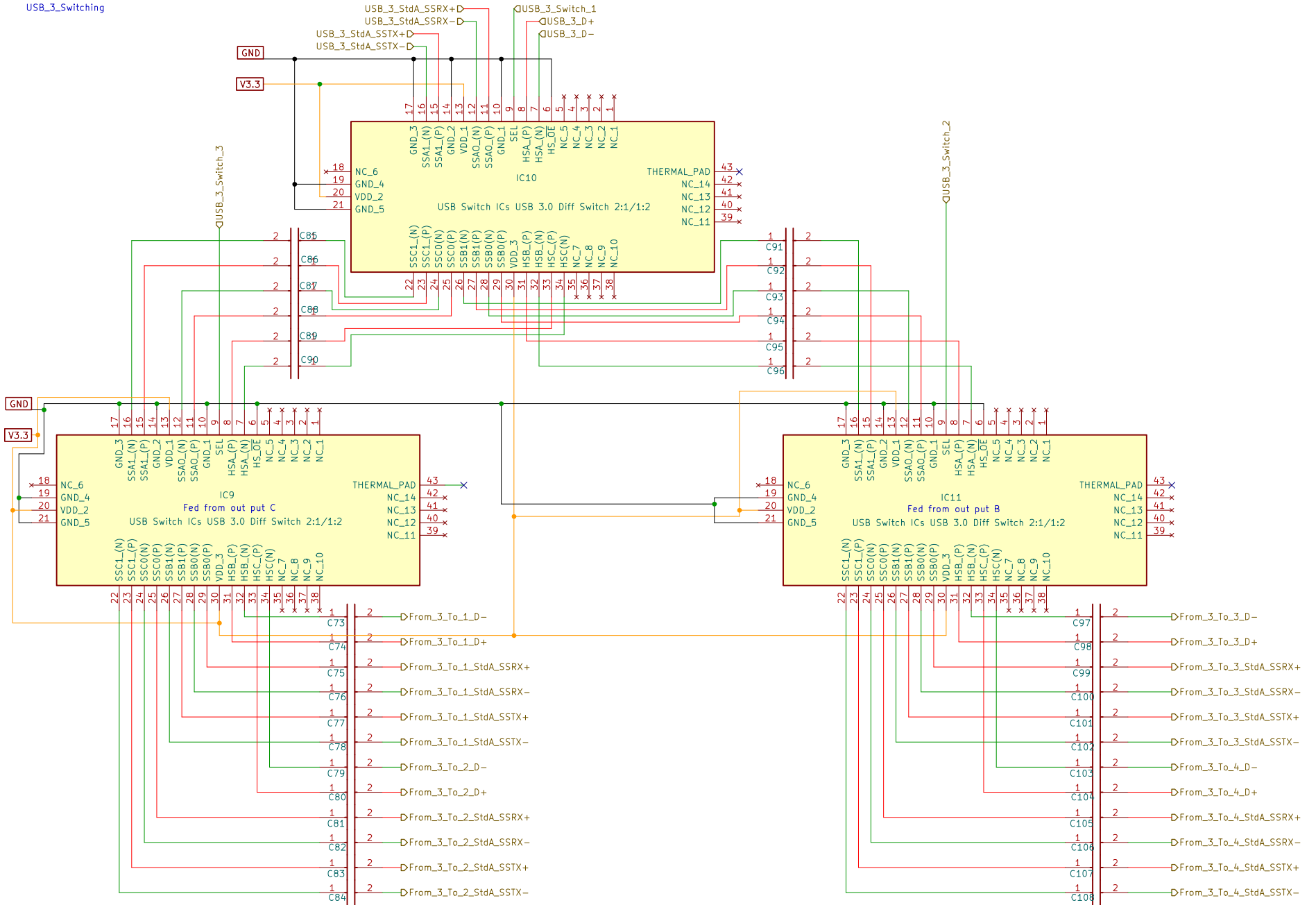
USB_1_Switching



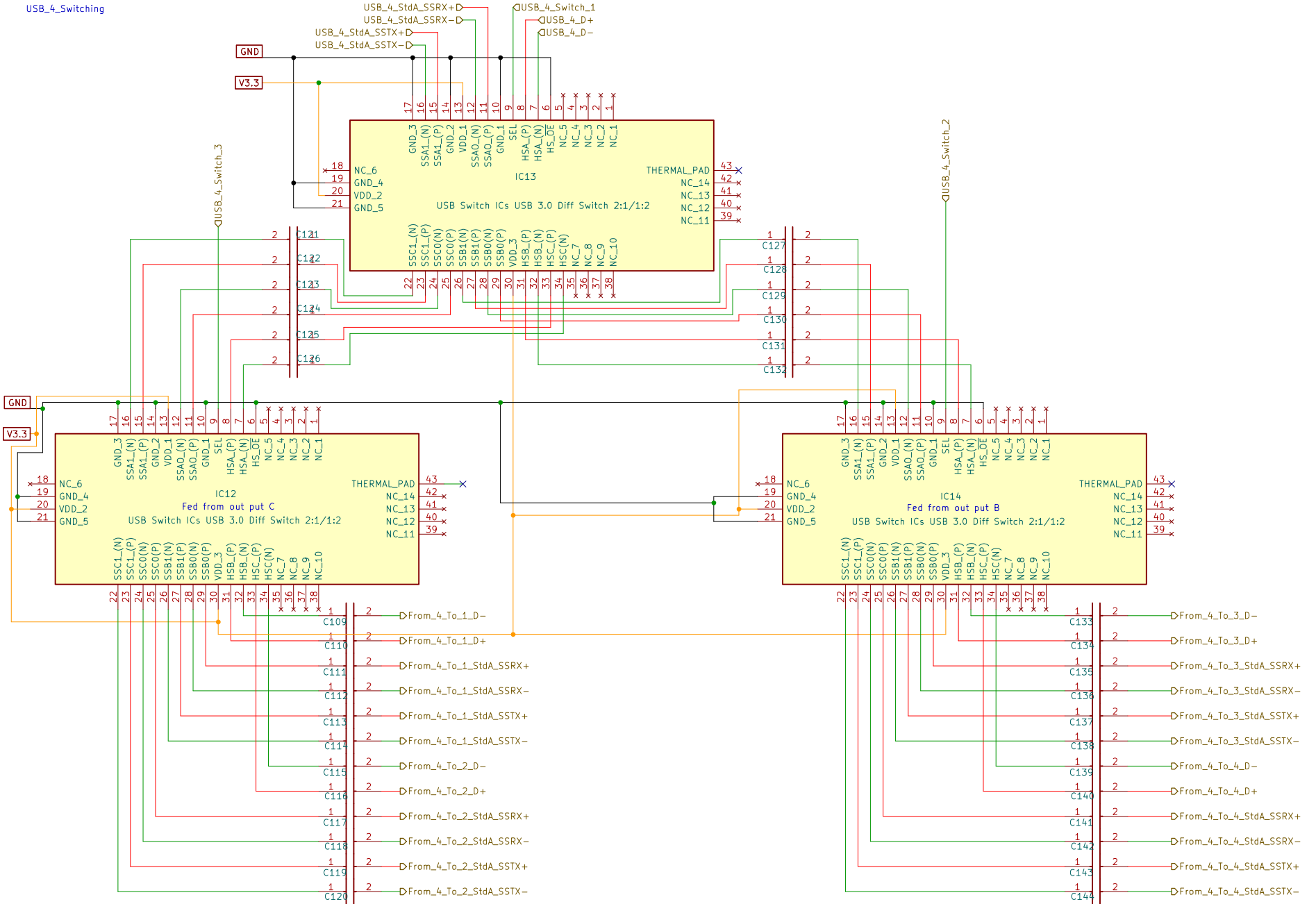
USB_2_Switching



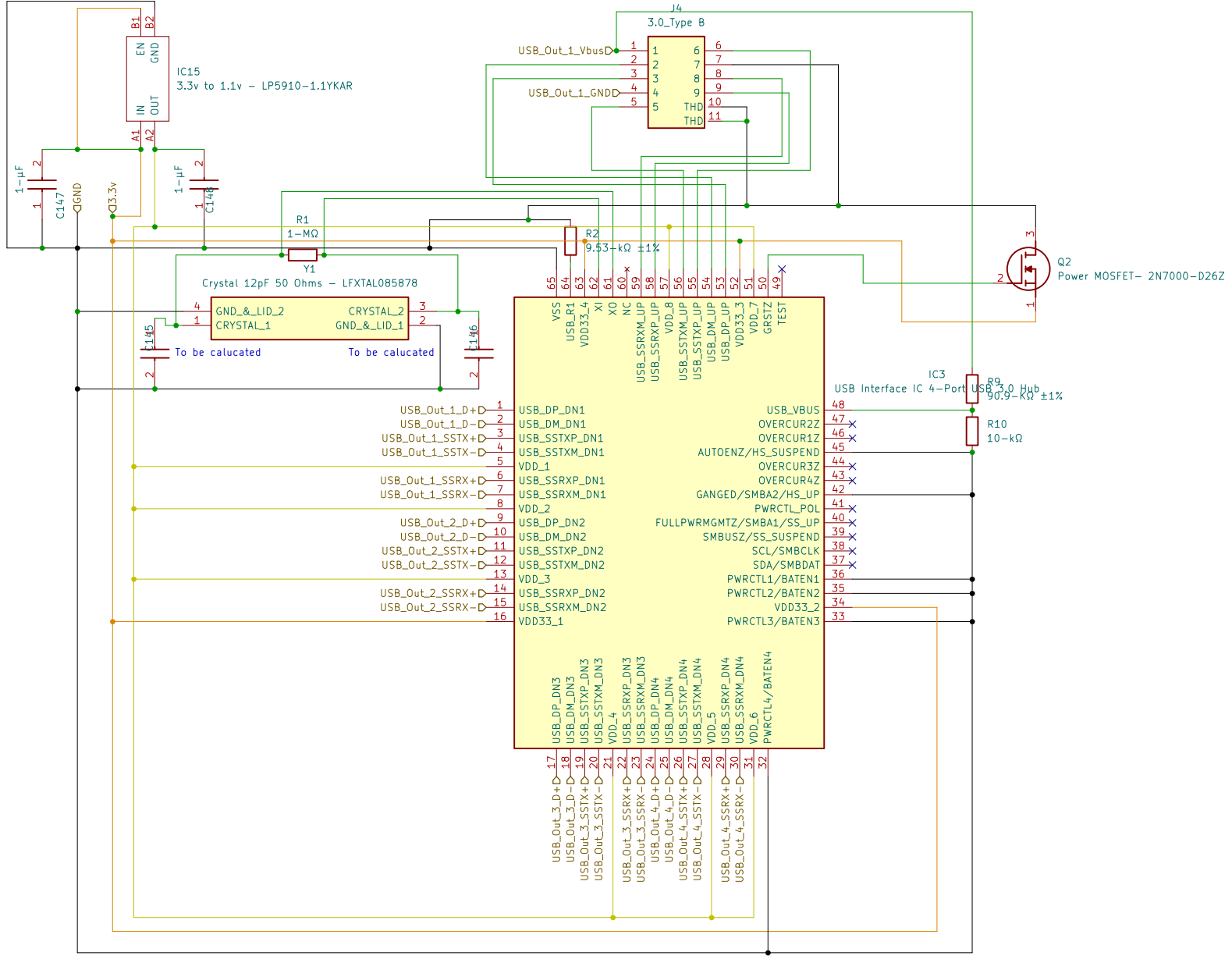
USB_3_Switching



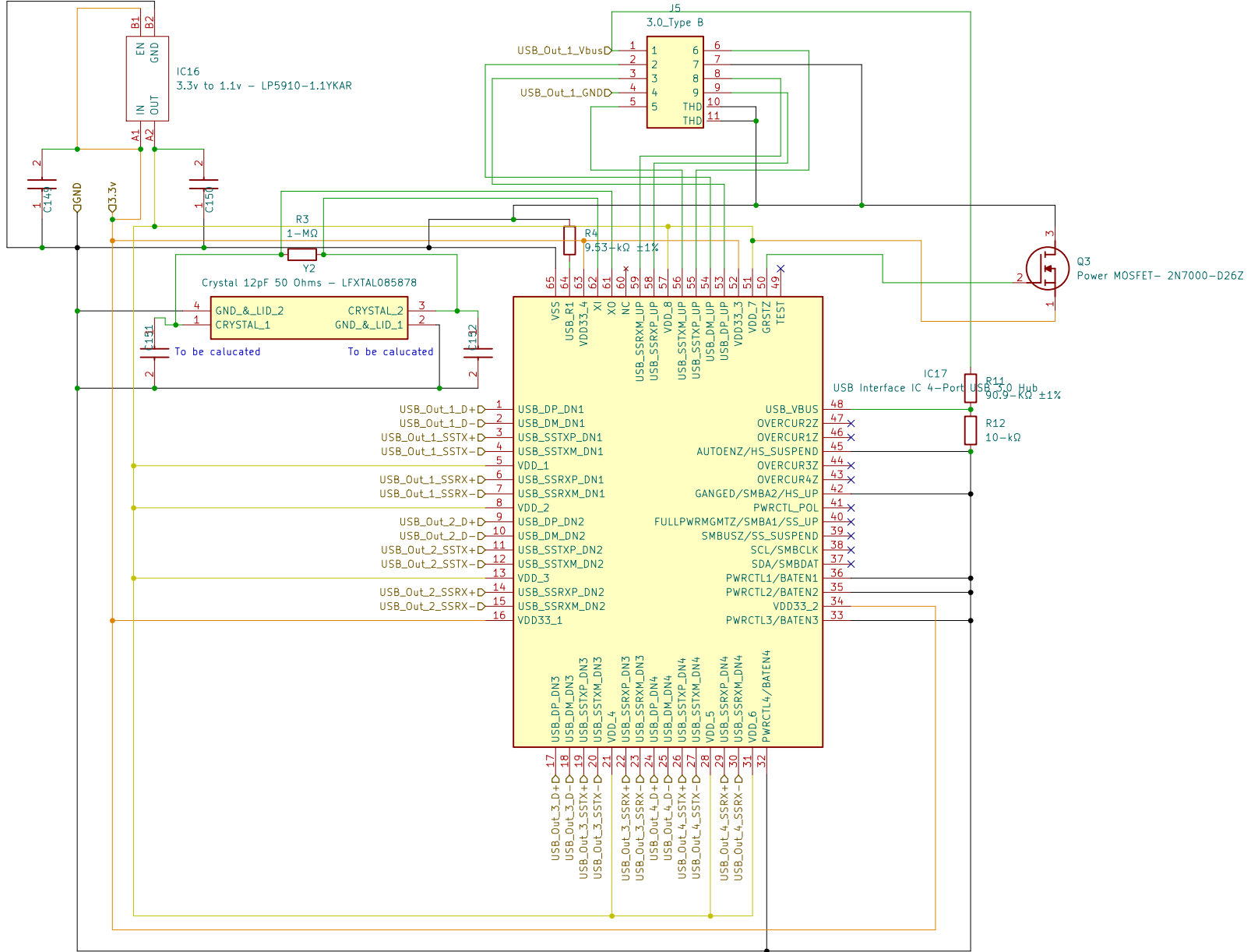
USB_4_Switching



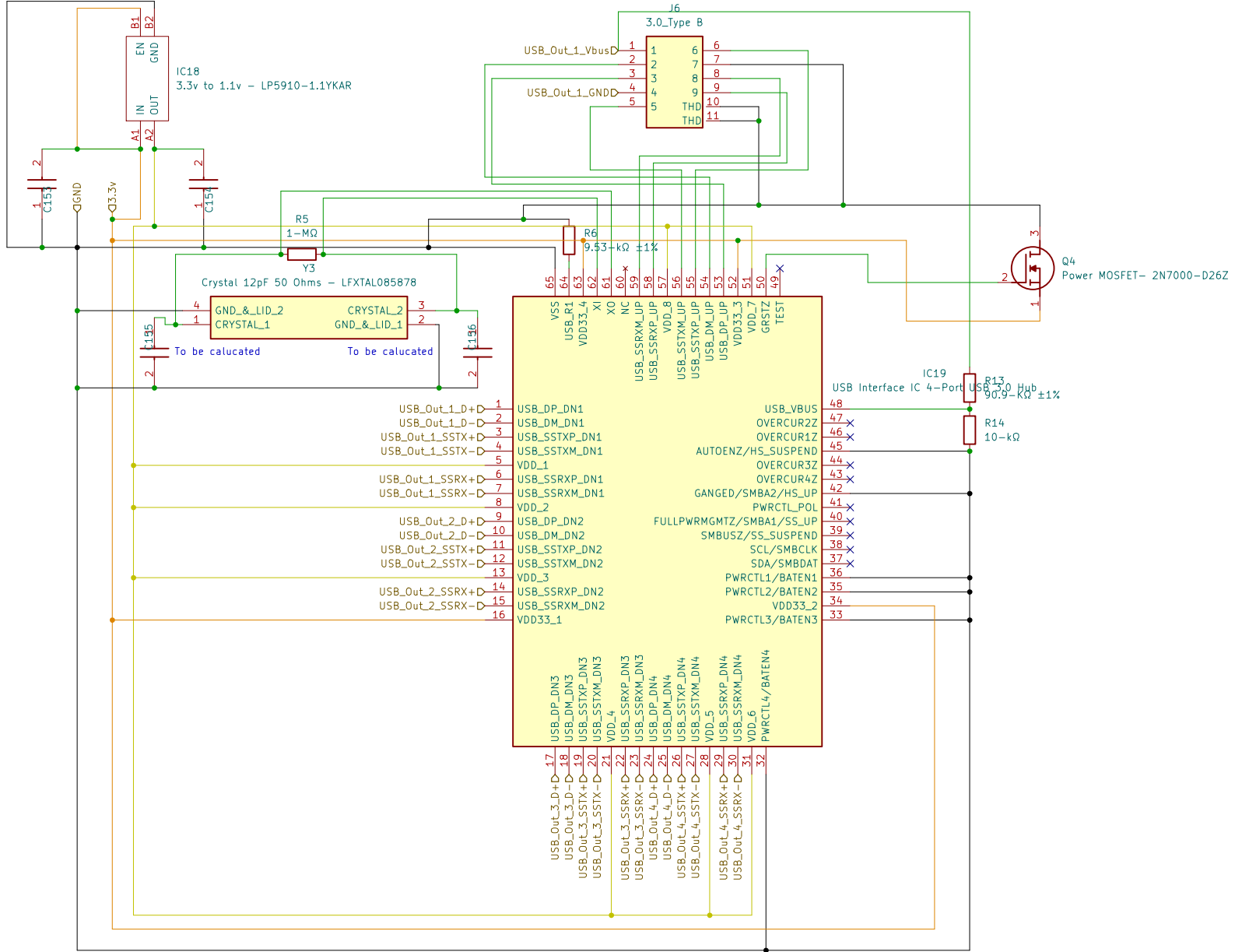
USB_Output_1



USB_Output_2



USB_Output_3



USB_Output_4

