

# Analog Inputs

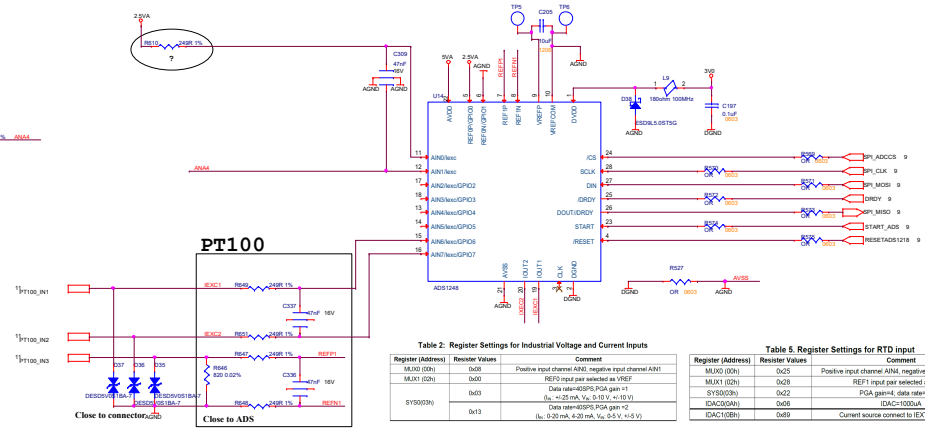
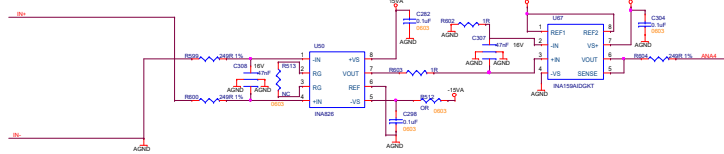
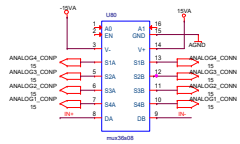


Table 2: Register Settings for Industrial Voltage and Current Inputs

Register (Address)	Register Values	Comment
MX1 (02)	0x00	Positive input channel AN1, negative input channel AN1
MX1 (03)	0x00	REF1 input pair selected as VREF
SYSD0(3A)	0x03	Data rate=40SPS,PGA gain=1 (I <sub>exc</sub> = 1.25 mA, V <sub>exc</sub> = 0.10 V, <math>I_{exc}</math> <math>V_{exc}</math>)
SYSD0(3B)	0x13	Data rate=40SPS,PGA gain=2 (I <sub>exc</sub> = 0.25 mA, V <sub>exc</sub> = 0.5 V, <math>I_{exc}</math> <math>V_{exc}</math>)

Table 5: Register Settings for RTD Input

Register (Address)	Register Values	Comment
MX1 (02)	0x05	Positive input channel AN1, negative input channel AN5
MX1 (03)	0x08	REF1 input pair selected as VREF
SYSD0(3A)	0x02	PGA gain=2, data rate=20SPS
SYSD0(3B)	0x06	DA<math>C_{exc}</math>=1000µA
SDAC1(08A)	0x09	Current source connect to IEX1 and IEX2

