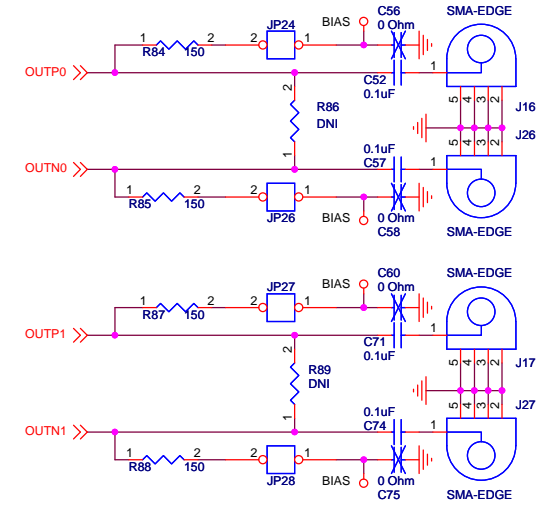
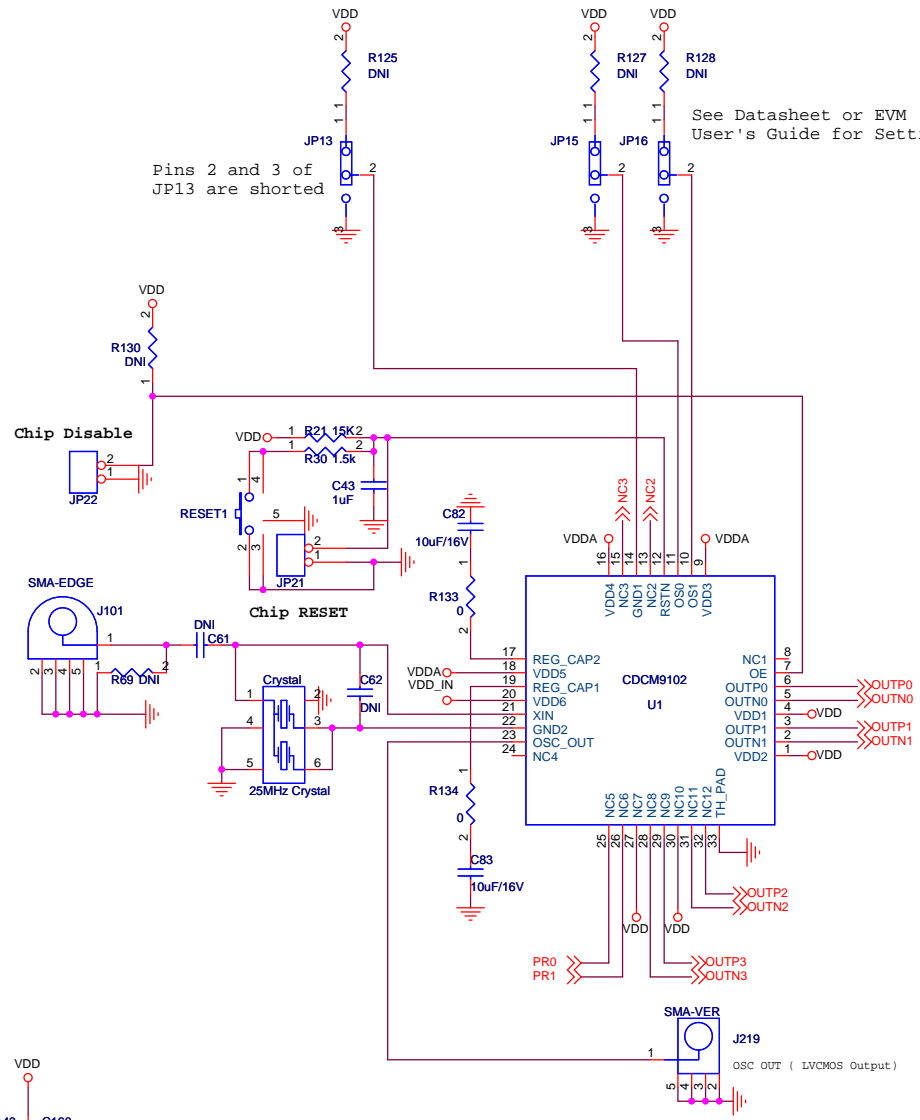
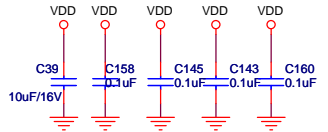
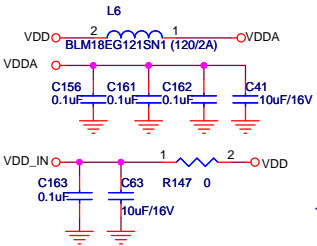
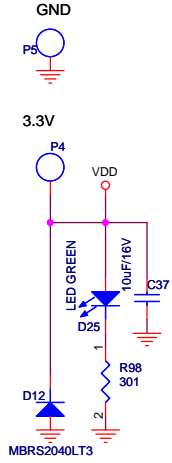


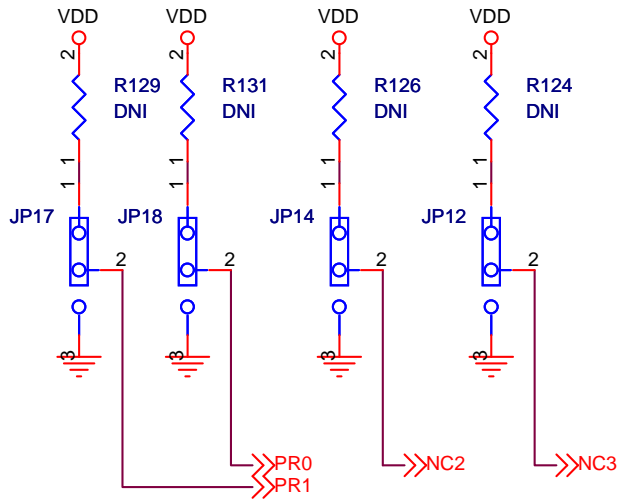
CDCM9102 EVM

See Datasheet or EVM User's Guide for Settings

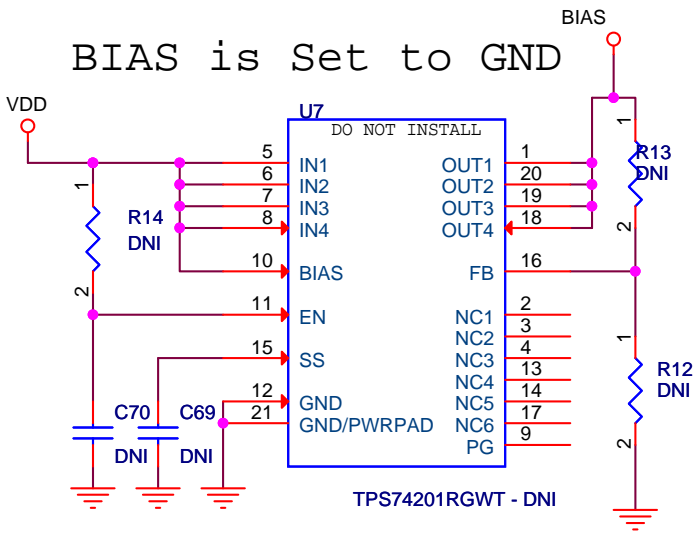
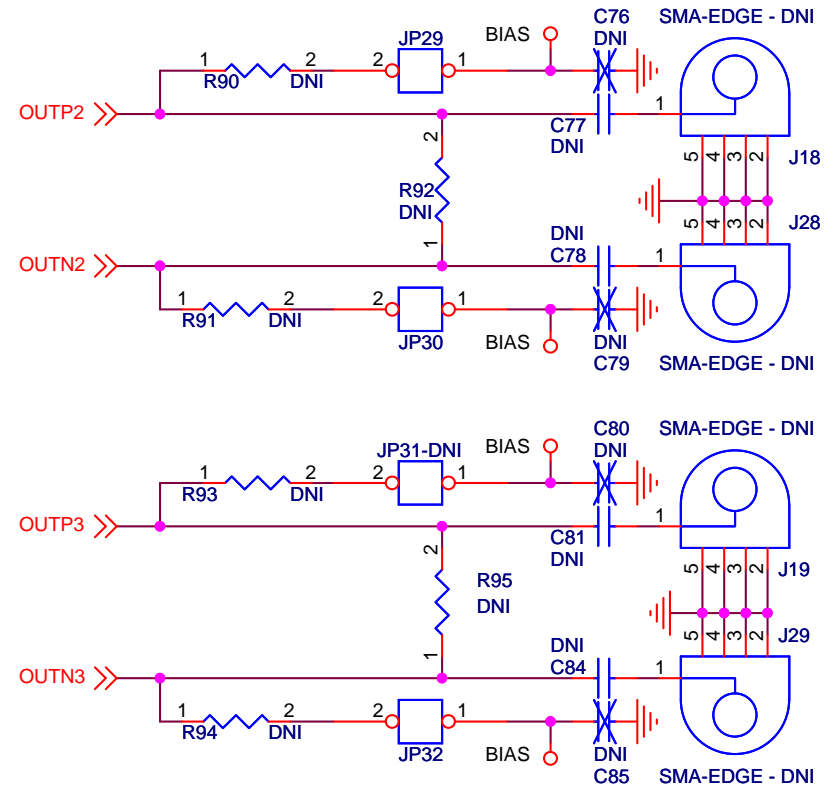
Pins 2 and 3 of JP13 are shorted



Texas Instruments, Inc - CCO		
Title CDCM9102 Customer Eval. Board		
Size B	Document Number CDCM9102	Rev A
Date: Thursday, February 16, 2012	Sheet 1	of 1



Uninstalled Components



Title		
<Title>		
Size	Document Number	Rev
A	<Doc>	<Rev Co
Date:	Thursday, February 16, 2012	Sheet 1 of 1