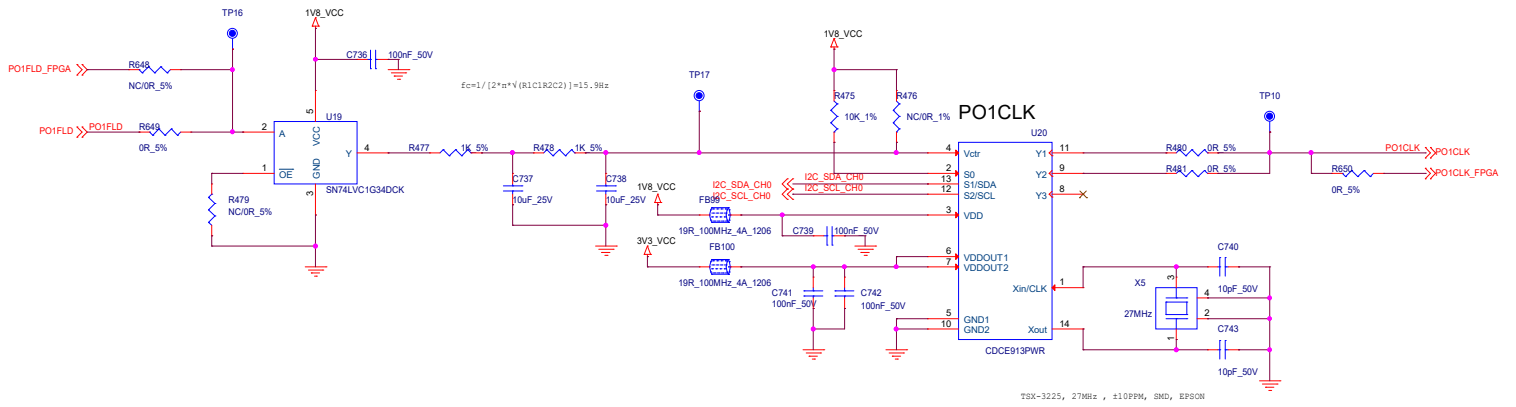


CE	A	Y
L	H	H
L	L	L
H	X	Z



Title		<Title>
Size	Document Number	<Doc>
B	<Doc>	<Rev>
Date:	Monday, September 25, 2023	Sheet 1 of 1