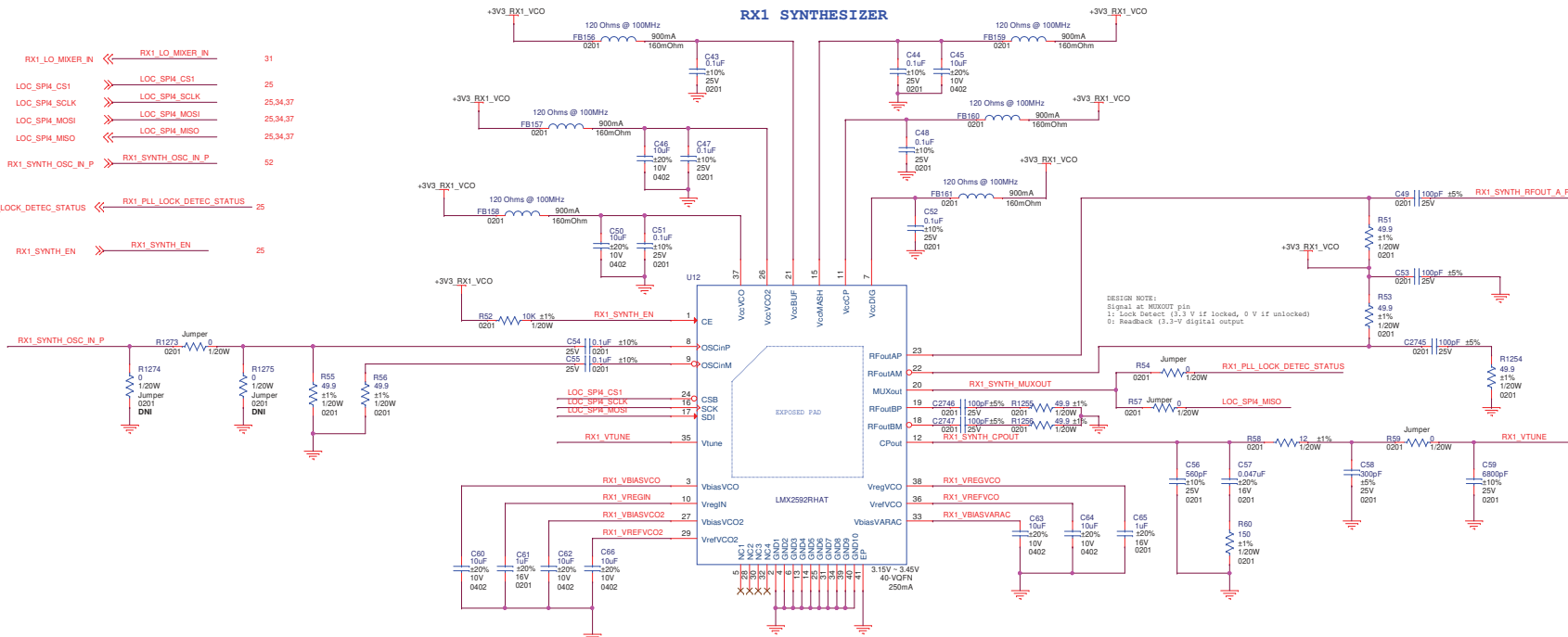
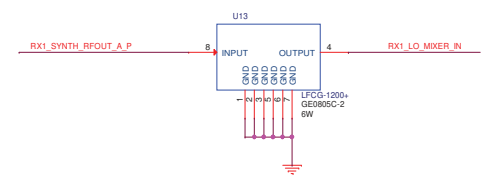



RX1--SYNTHESIZER



DESIGNER NOTE:
Signal at MUXOUT pin
1: Lock Detects (3.3 V if locked, 0 V if unlocked)
0: Headback (0.3-V digital output)

RX1 LO FILTER



 an octasic company		Celliber Technologies Vyshak Center, 2nd floor, No.1027, 24th Main 11th Cross, Sector I, HSR layout, Bangalore 560102, India	
		B100 31-RX1-Synthesizer	Sheet 31 of 81
This drawing is the property of Celliber and may not be reproduced or used without written permission.			
Size C	Drawing No. 1000-B100	Rev. 0.94	Date changed Wednesday, August 12, 2020