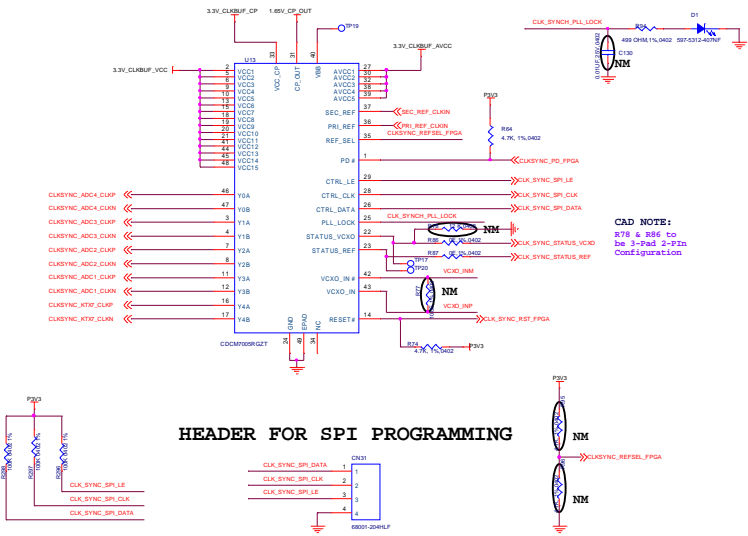
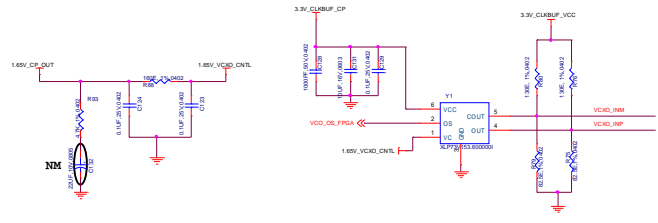


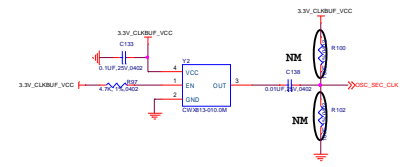
### CLOCK SYNCHRONIZER



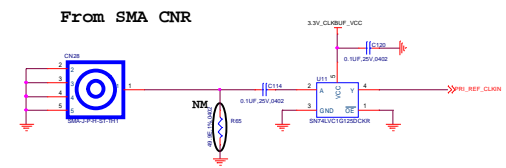
### LVPECL Voltage Control Crystal Oscillator



### LVCMOS SEC REF CLOCK From 10MHZ Oscillator

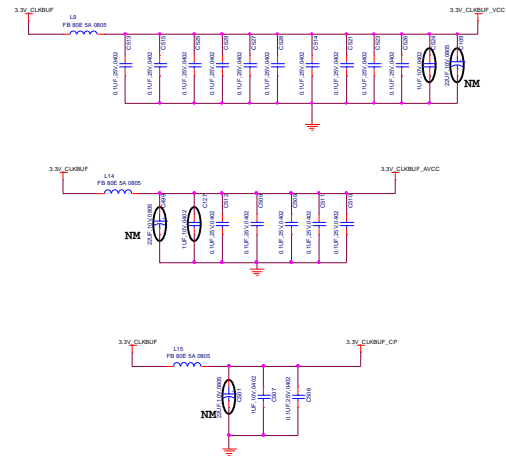


### LVCMOS PRI REF CLOCK From SMA Connector

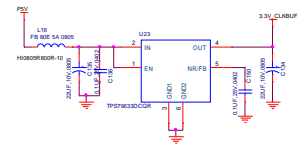


### CLOCK SYNCHRONIZER DECOUPLINGS

NOTE: AS PER AFE5809 USER GUIDE DECOUPLINGS ARE USED



### +3.3V CLOCK BUFFER SUPPLY



### CLOCK MUX FOR SEC REF CLK INPUT

