

User's Guide  
SNAU217B–August 2017–Revised July 2019  
LMX2572EVM Evaluation Instructions

The board we purchased

2.1 Connection Diagram

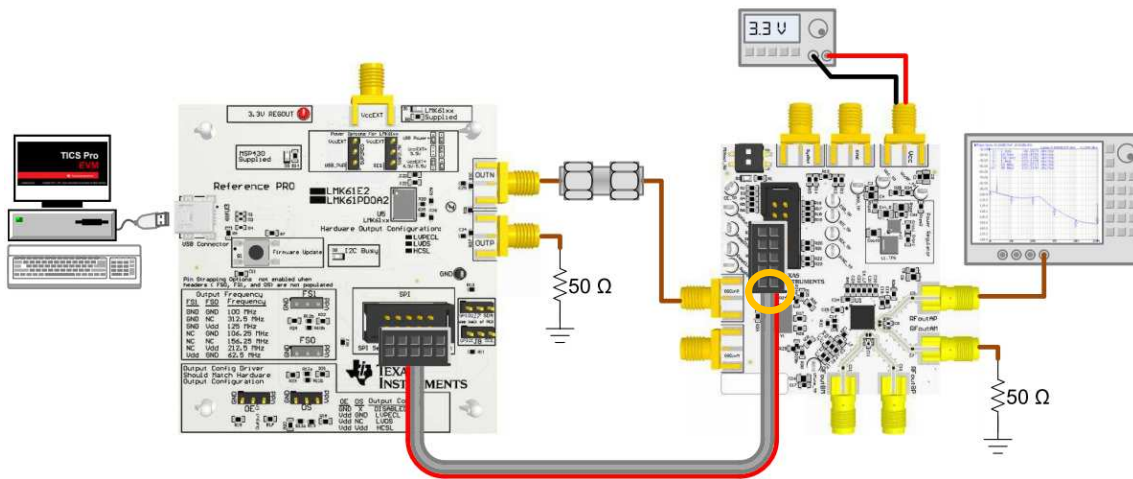


Figure 1. EVM Connection Diagram

