

● question 1
 I use Category 3 shown in the red frame on Page 1. In this case, is it okay to leave the A part connector of Page 2 open? Or do I need to connect something?

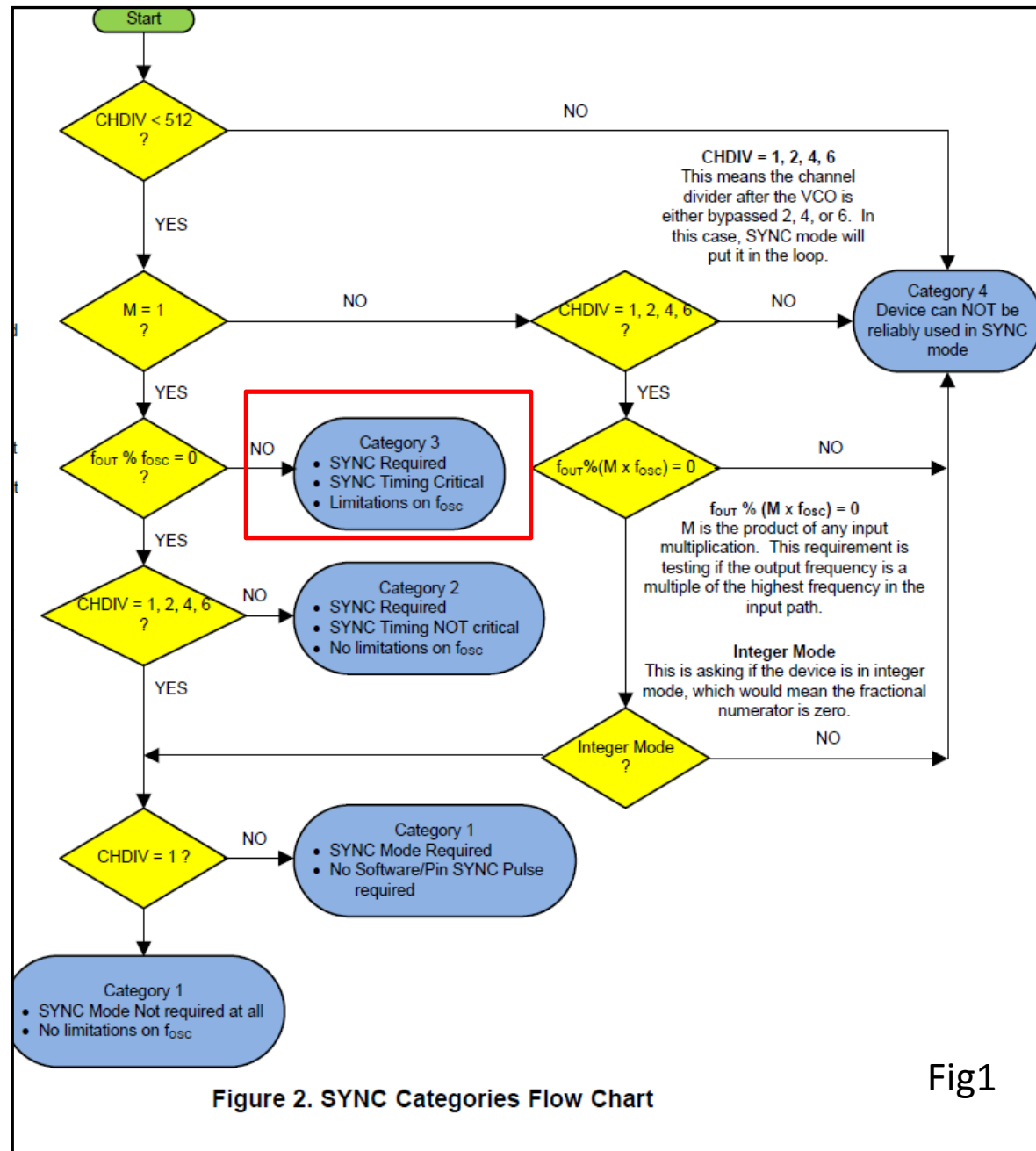


Figure 2. SYNC Categories Flow Chart

Fig1

2.1 Connection Diagram

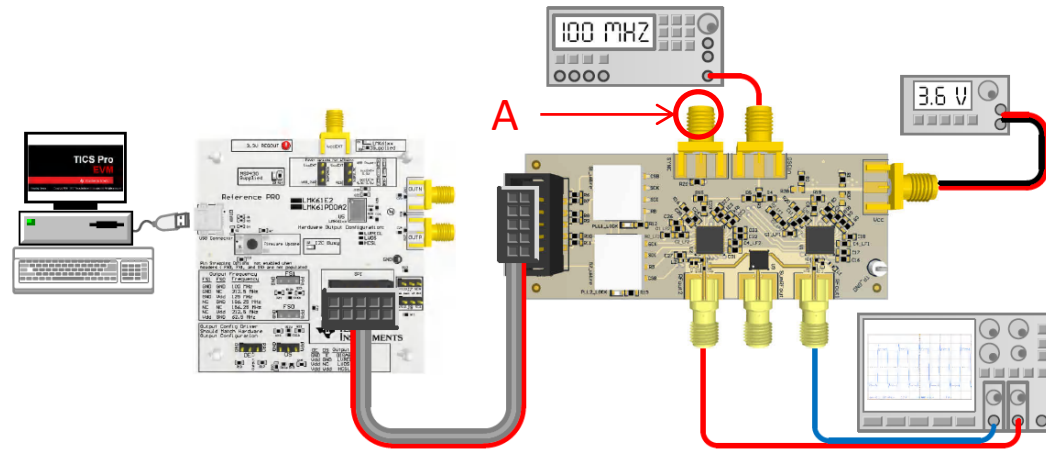
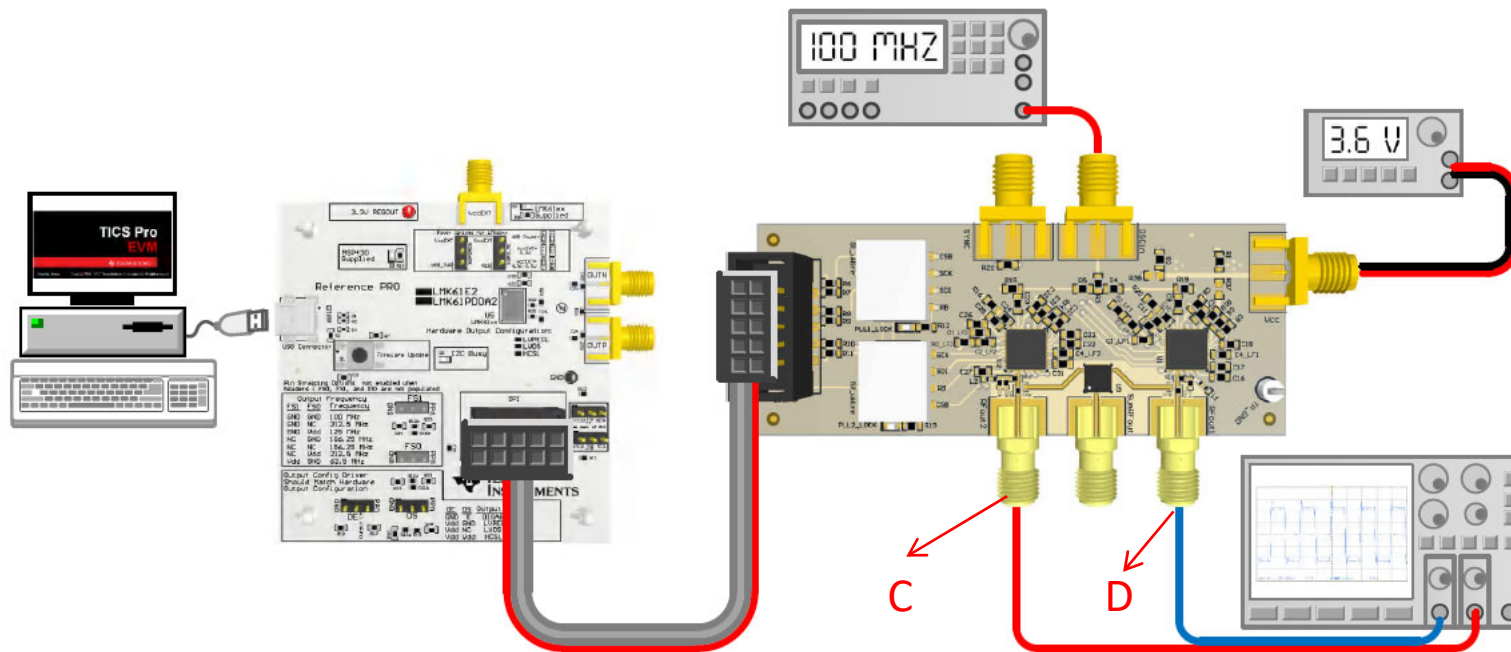


Figure 2-1. Connection Diagram

● question2
Is it okay if I don't connect
anything to the A connector?
Or do I need to connect something?



● Question3
 Can I extract signals of different frequencies from A and B?
 Please tell me how to do it if possible.