

● Question 4

I want the C port to generate at 5.8GHz and the D port to generate at 5.9GHz.

Is it possible to do it using the settings shown in Fig1 that you showed?

Where can I find the instruction manual for TICS pro?

Page1

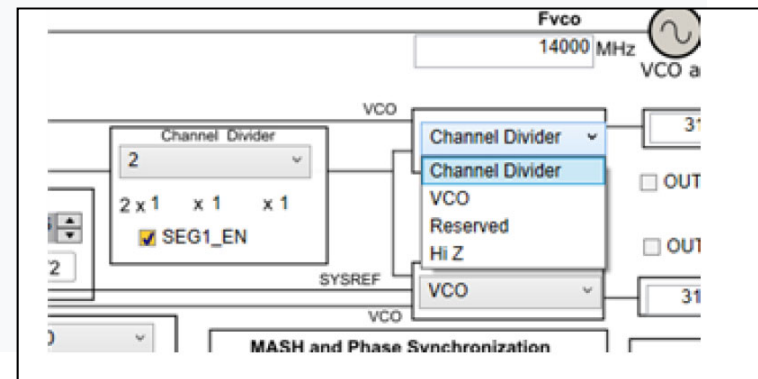


Fig1