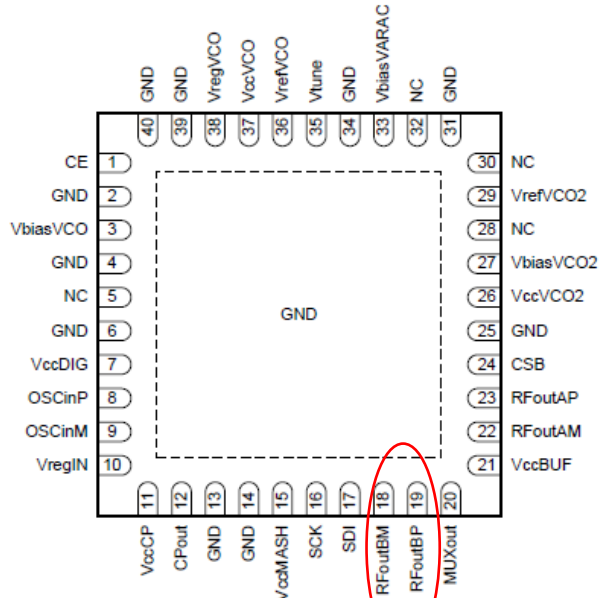


TIDA-01442 schematic LMX2582 symbol



LMX2582 data sheet pin out