

Description

The 9DBV0641 is a member of Renesas' 1.8V Very-Low-Power (VLP) PCIe family. It has integrated output terminations providing $Z_o = 100\Omega$ for direct connection to 100Ω transmission lines. The device has 6 output enables for clock management and 3 selectable SMBus addresses.

Recommended Application

1.8V PCIe Gen1–5 Zero Delay/Fanout Buffer (ZDB/FOB)

Output Features

- Six 1–200 MHz Low-Power (LP) HCSL DIF pairs with $Z_o = 100\Omega$

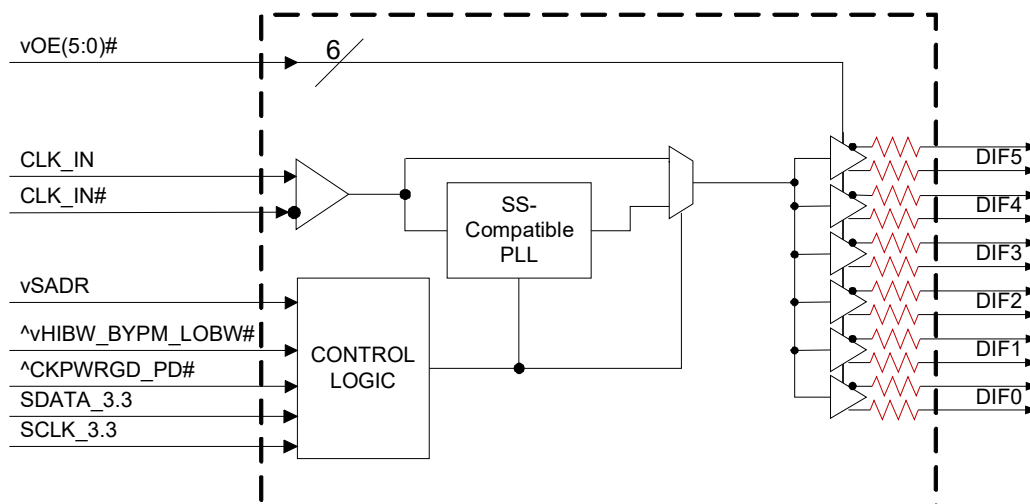
Key Specifications

- DIF cycle-to-cycle jitter < 50ps
- DIF output-to-output skew < 50ps
- PCIe Gen5 CC additive phase jitter < 40fs RMS
- 12kHz–20MHz additive phase jitter = 156fs RMS at 156.25MHz (typical)

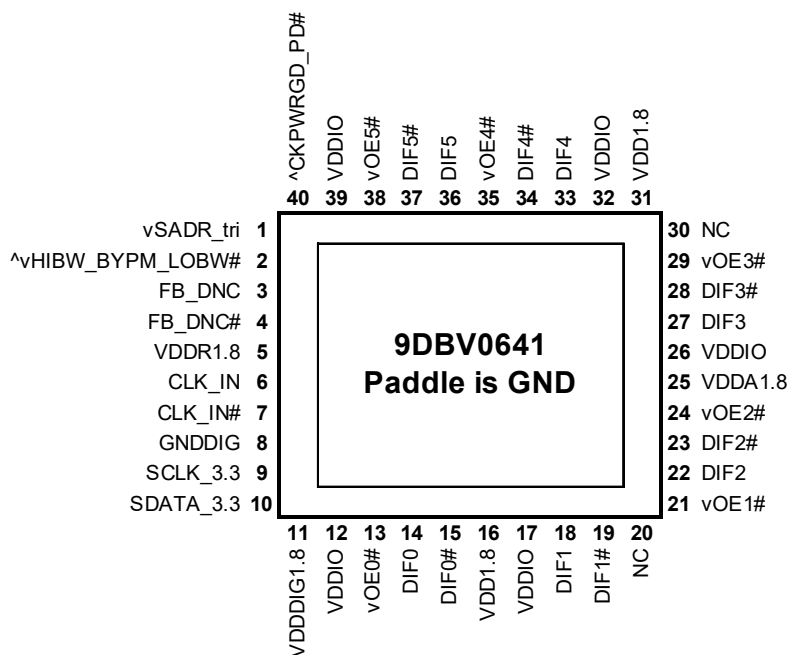
Features/Benefits

- Direct connection to 100Ω transmission lines; saves 24 resistors compared to standard PCIe devices
- 55mW typical power consumption in PLL mode; minimal power consumption
- Outputs can optionally be supplied from any voltage between 1.05 and 1.8V; maximum power savings
- OE# pins; support DIF power management
- HCSL compatible differential input; can be driven by common clock sources
- Spread Spectrum tolerant; allows reduction of EMI
- Programmable Slew rate for each output; allows tuning for various line lengths
- Programmable output amplitude; allows tuning for various application environments
- Pin/software selectable PLL bandwidth and PLL Bypass; minimize phase jitter for each application
- Outputs blocked until PLL is locked; clean system start-up
- Configuration can be accomplished with strapping pins; SMBus interface not required for device control
- 3.3V tolerant SMBus interface works with legacy controllers
- Space saving $5 \times 5\text{mm}$ 40-VFQFPN; minimal board space
- 3 selectable SMBus addresses; multiple devices can easily share an SMBus segment

Block Diagram



Pin Configuration



40-pin VFQFPN

^ prefix indicates internal Pull-Up Resistor
 v prefix indicates Internal Pull-Down Resistor
 5mm x 5mm 0.4mm pin pitch

SMBus Address Selection Table

| | SADR | Address | + Read/Write bit |
|---|------|---------|------------------|
| State of SADR on first application of CKPWRGD_PD# | 0 | 1101011 | x |
| | M | 1101100 | x |
| | 1 | 1101101 | x |

Power Management Table

| CKPWRGD_PD# | CLK_IN | SMBus OEx bit | OEx# Pin | DIFx | | PLL |
|-------------|---------|---------------|----------|----------|-----------|-----------------|
| | | | | True O/P | Comp. O/P | |
| 0 | X | X | X | Low | Low | Off |
| 1 | Running | 0 | X | Low | Low | On ¹ |
| 1 | Running | 1 | 0 | Running | Running | On ¹ |
| 1 | Running | 1 | 1 | Low | Low | On ¹ |

1. If Bypass mode is selected, the PLL will be off, and outputs will follow this table.

Power Connections

| Pin Number | | | Description |
|------------|--------------------|-----|-----------------------|
| VDD | VDDIO | GND | |
| 5 | | 41 | Input receiver analog |
| 11 | | 8 | Digital Power |
| 16, 31 | 12, 17, 26, 32, 39 | 41 | DIF outputs, Logic |
| 25 | | 41 | PLL Analog |

Frequency Select Table

| FSEL Byte3 [1:0] | CLK_IN (MHz) | DIFx (MHz) |
|---------------------|-----------------|---------------|
| 00 | 100.00 | CLK_IN |
| 01 | 50.00 | CLK_IN |
| 10 | 125.00 | CLK_IN |
| 11 | Reserved | Reserved |

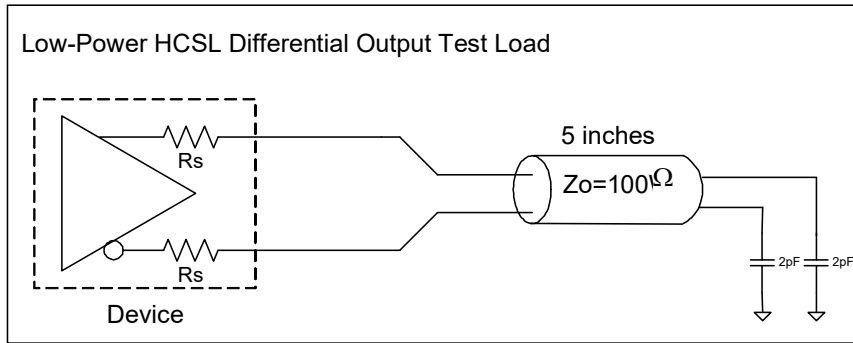
PLL Operating Mode

| HiBW_BypM_LoBW# | MODE | Byte1 [7:6] Readback | Byte1 [4:3] Control |
|-----------------|-----------|-------------------------|------------------------|
| 0 | PLL Lo BW | 00 | 00 |
| M | Bypass | 01 | 01 |
| 1 | PLL Hi BW | 11 | 11 |

Pin Descriptions

| PIN # | PIN NAME | PIN TYPE | DESCRIPTION |
|-------|-------------------|------------|---|
| 1 | vSADR_tri | LATCHED IN | Tri-level latch to select SMBus Address. See SMBus Address Selection Table. |
| 2 | ^vHIBW_BYPM_LOBW# | LATCHED IN | Trilevel input to select High BW, Bypass or Low BW mode. See PLL Operating Mode Table for Details. |
| 3 | FB_DNC | DNC | True clock of differential feedback. The feedback output and feedback input are connected internally on this pin. Do not connect anything to this pin. |
| 4 | FB_DNC# | DNC | Complement clock of differential feedback. The feedback output and feedback input are connected internally on this pin. Do not connect anything to this pin. |
| 5 | VDDR1.8 | PWR | 1.8V power for differential input clock (receiver). This VDD should be treated as an Analog power rail and filtered appropriately. |
| 6 | CLK_IN | IN | True Input for differential reference clock. |
| 7 | CLK_IN# | IN | Complementary Input for differential reference clock. |
| 8 | GNDDIG | GND | Ground pin for digital circuitry |
| 9 | SCLK_3.3 | IN | Clock pin of SMBus circuitry, 3.3V tolerant. |
| 10 | SDATA_3.3 | I/O | Data pin for SMBus circuitry, 3.3V tolerant. |
| 11 | VDDDIG1.8 | PWR | 1.8V digital power (dirty power) |
| 12 | VDDIO | PWR | Power supply for differential outputs |
| 13 | voE0# | IN | Active low input for enabling DIF pair 0. This pin has an internal pull-down. 1 =disable outputs, 0 = enable outputs |
| 14 | DIF0 | OUT | Differential true clock output |
| 15 | DIF0# | OUT | Differential Complementary clock output |
| 16 | VDD1.8 | PWR | Power supply, nominal 1.8V |
| 17 | VDDIO | PWR | Power supply for differential outputs |
| 18 | DIF1 | OUT | Differential true clock output |
| 19 | DIF1# | OUT | Differential Complementary clock output |
| 20 | NC | N/A | No Connection. |
| 21 | voE1# | IN | Active low input for enabling DIF pair 1. This pin has an internal pull-down. 1 =disable outputs, 0 = enable outputs |
| 22 | DIF2 | OUT | Differential true clock output |
| 23 | DIF2# | OUT | Differential Complementary clock output |
| 24 | voE2# | IN | Active low input for enabling DIF pair 2. This pin has an internal pull-down. 1 =disable outputs, 0 = enable outputs |
| 25 | VDDA1.8 | PWR | 1.8V power for the PLL core. |
| 26 | VDDIO | PWR | Power supply for differential outputs |
| 27 | DIF3 | OUT | Differential true clock output |
| 28 | DIF3# | OUT | Differential Complementary clock output |
| 29 | voE3# | IN | Active low input for enabling DIF pair 3. This pin has an internal pull-down. 1 =disable outputs, 0 = enable outputs |
| 30 | NC | N/A | No Connection. |
| 31 | VDD1.8 | PWR | Power supply, nominal 1.8V |
| 32 | VDDIO | PWR | Power supply for differential outputs |
| 33 | DIF4 | OUT | Differential true clock output |
| 34 | DIF4# | OUT | Differential Complementary clock output |
| 35 | voE4# | IN | Active low input for enabling DIF pair 4. This pin has an internal pull-down. 1 =disable outputs, 0 = enable outputs |
| 36 | DIF5 | OUT | Differential true clock output |
| 37 | DIF5# | OUT | Differential Complementary clock output |
| 38 | voE5# | IN | Active low input for enabling DIF pair 5. This pin has an internal pull-down. 1 =disable outputs, 0 = enable outputs |
| 39 | VDDIO | PWR | Power supply for differential outputs |
| 40 | ^CKPWRGD_PD# | IN | Input notifies device to sample latched inputs and start up on first high assertion. Low enters Power Down Mode, subsequent high assertions exit Power Down Mode. This pin has internal pull-up resistor. |
| 41 | ePAD | GND | Connect paddle to ground. |

Test Loads



Alternate Terminations

The 9DBV family can easily drive LVPECL, LVDS, and CML logic. See [“AN-891 Driving LVPECL, LVDS, and CML Logic with “Universal” Low-Power HCSL Outputs”](#) for details.

Absolute Maximum Ratings

Stresses above the ratings listed below can cause permanent damage to the 9DBV0641. These ratings, which are standard values for Renesas commercially rated parts, are stress ratings only. Functional operation of the device at these or any other conditions above those indicated in the operational sections of the specifications is not implied. Exposure to absolute maximum rating conditions for extended periods can affect product reliability. Electrical parameters are guaranteed only over the recommended operating temperature range.

| PARAMETER | SYMBOL | CONDITIONS | MIN | TYP | MAX | UNITS | NOTES |
|---------------------------|--------------------|---------------------------|------|-----|----------------------|-------|-------|
| Supply Voltage | VDDx | | -0.5 | | 2.5 | V | 1,2 |
| Input Voltage | V _{IN} | | -0.5 | | V _{DD} +0.5 | V | 1,3 |
| Input High Voltage, SMBus | V _{IHSMB} | SMBus clock and data pins | | | 3.6 | V | 1 |
| Storage Temperature | T _s | | -65 | | 150 | °C | 1 |
| Junction Temperature | T _j | | | | 125 | °C | 1 |
| Input ESD protection | ESD prot | Human Body Model | 2000 | | | V | 1 |

¹Guaranteed by design and characterization, not 100% tested in production.

²Operation under these conditions is neither implied nor guaranteed.

³Not to exceed 2.5V.

Electrical Characteristics—Clock Input Parameters

T_A = T_{AMB}; Supply Voltage per VDD, VDDIO of normal operation conditions. See Test Loads for Loading Conditions.

| PARAMETER | SYMBOL | CONDITIONS | MIN | TYP | MAX | UNITS | NOTES |
|------------------------------------|--------------------|---|-----------------------|-----|------|-------|-------|
| Input High Voltage - DIF_IN | V _{IHDIF} | Differential inputs (single-ended measurement) | 300 | 750 | 1150 | mV | 1 |
| Input Low Voltage - DIF_IN | V _{ILDIF} | Differential inputs (single-ended measurement) | V _{SS} - 300 | 0 | 300 | mV | 1 |
| Input Common Mode Voltage - DIF_IN | V _{COM} | Common Mode Input Voltage | 200 | | 725 | mV | 1 |
| Input Amplitude - DIF_IN | V _{SWING} | Peak to Peak value (V _{IHDIF} - V _{ILDIF}) | 300 | | 1450 | mV | 1 |
| Input Slew Rate - DIF_IN | dV/dt | Measured differentially | 0.35 | | 8 | V/ns | 1,2 |
| Input Leakage Current | I _{IN} | V _{IN} = V _{DD} , V _{IN} = GND | -5 | | 5 | uA | |
| Input Duty Cycle | d _{tin} | Measurement from differential waveform | 45 | | 55 | % | 1 |
| Input Jitter - Cycle to Cycle | J _{DIFIn} | Differential Measurement | 0 | | 150 | ps | 1 |

¹Guaranteed by design and characterization, not 100% tested in production.

²Slew rate measured through +/-75mV window centered around differential zero.

Electrical Characteristics–Input/Supply/Common Parameters–Normal Operating Conditions

TA = T_{AMB}, Voltage per VDD, VDDIO of normal operation conditions, See Test Loads for Loading Conditions

| PARAMETER | SYMBOL | CONDITIONS | MIN | TYP | MAX | UNITS | NOTES |
|--|------------------------|---|----------------------|----------|-----------------------|--------|-------|
| Supply Voltage | VDDx | Supply voltage for core and analog | 1.7 | 1.8 | 1.9 | V | |
| Output Supply Voltage | VDDIO | Supply voltage for Low Power HCSL Outputs | 0.95 | 1.05-1.8 | 1.9 | V | |
| Ambient Operating Temperature | T _{AMB} | Commercial range | 0 | 25 | 70 | °C | 1 |
| | | Industrial range | -40 | 25 | 85 | °C | 1 |
| Input High Voltage | V _{IH} | Single-ended inputs, except SMBus | 0.75 V _{DD} | | V _{DD} + 0.3 | V | |
| Input Mid Voltage | V _{IM} | Single-ended tri-level inputs ('_tri' suffix) | 0.4 V _{DD} | | 0.6 V _{DD} | V | |
| Input Low Voltage | V _{IL} | Single-ended inputs, except SMBus | -0.3 | | 0.25 V _{DD} | V | |
| Input Current | I _{IN} | Single-ended inputs, V _{IN} = GND, V _{IN} = VDD | -5 | | 5 | uA | |
| | I _{INP} | Single-ended inputs V _{IN} = 0 V; Inputs with internal pull-up resistors V _{IN} = VDD; Inputs with internal pull-down resistors | -200 | | 200 | uA | |
| Input Frequency | F _{ibyp} | Bypass mode | 1 | | 200 | MHz | |
| | F _{ipll} | 100MHz PLL mode | 50 | 100.00 | 140 | MHz | |
| | F _{ipll} | 125MHz PLL mode | 62.5 | 125.00 | 175 | MHz | |
| | F _{ipll} | 50MHz PLL mode | 25 | 50.00 | 65 | MHz | |
| Pin Inductance | L _{pin} | | | 7 | nH | 1 | |
| Capacitance | C _{IN} | Logic Inputs, except DIF_IN | 1.5 | | 5 | pF | 1 |
| | C _{INDIF_IN} | DIF_IN differential clock inputs | 1.5 | | 2.7 | pF | 1,6 |
| | C _{OUT} | Output pin capacitance | | | 6 | pF | 1 |
| Clock Stabilization | T _{STAB} | From V _{DD} Power-Up and after input clock stabilization or de-assertion of PD# to 1st clock | | | 1 | ms | 1,2 |
| Input SS Modulation Frequency PCIe | f _{MODINPCIe} | Allowable Frequency for PCIe Applications (Triangular Modulation) | 30 | | 33 | kHz | |
| Input SS Modulation Frequency non-PCIe | f _{MODIN} | Allowable Frequency for non-PCIe Applications (Triangular Modulation) | 0 | | 66 | kHz | |
| OE# Latency | t _{LATOE#} | DIF start after OE# assertion DIF stop after OE# deassertion | 1 | | 3 | clocks | 1,3 |
| Tdrive_PD# | t _{DRVPD} | DIF output enable after PD# de-assertion | | | 300 | us | 1,3 |
| Tfall | t _F | Fall time of single-ended control inputs | | | 5 | ns | 2 |
| Trise | t _R | Rise time of single-ended control inputs | | | 5 | ns | 2 |
| SMBus Input Low Voltage | V _{ILSMB} | V _{DDSMB} = 3.3V, see note 4 for V _{DDSMB} < 3.3V | | | 0.8 | V | 4 |
| SMBus Input High Voltage | V _{IHSMB} | V _{DDSMB} = 3.3V, see note 5 for V _{DDSMB} < 3.3V | 2.1 | | 3.6 | V | 5 |
| SMBus Output Low Voltage | V _{OLSMB} | @ I _{PULLUP} | | | 0.4 | V | |
| SMBus Sink Current | I _{PULLUP} | @ V _{OL} | 4 | | | mA | |
| Nominal Bus Voltage | V _{DDSMB} | Bus Voltage | 1.7 | | 3.6 | V | |
| SCLK/SDATA Rise Time | t _{RSMB} | (Max V _{IL} - 0.15) to (Min V _{IH} + 0.15) | | | 1000 | ns | 1 |
| SCLK/SDATA Fall Time | t _{FSMB} | (Min V _{IH} + 0.15) to (Max V _{IL} - 0.15) | | | 300 | ns | 1 |
| SMBus Operating Frequency | f _{MAXSMB} | Maximum SMBus operating frequency | | | 400 | kHz | 7 |

¹Guaranteed by design and characterization, not 100% tested in production.

²Control input must be monotonic from 20% to 80% of input swing.

³Time from deassertion until outputs are >200 mV

⁴ For V_{DDSMB} < 3.3V, V_{ILSMB} <= 0.35V_{DDSMB}

⁵ For V_{DDSMB} < 3.3V, V_{IHSMB} >= 0.65V_{DDSMB}

⁶DIF_IN input

⁷The differential input clock must be running for the SMBus to be active

Electrical Characteristics–Low Power HCSL Outputs

TA = T_{AMB}; Supply Voltage per VDD, VDDIO of normal operation conditions, See Test Loads for Loading Conditions

| PARAMETER | SYMBOL | CONDITIONS | MIN | TYP | MAX | UNITS | NOTES |
|------------------------|------------------------|---|------|------|------|-------|-------|
| Slew rate | dV/dt | Scope averaging on, fast setting | 1.7 | 2.9 | 4 | V/ns | 1,2,3 |
| | dV/dt | Scope averaging on, slow setting | 1.1 | 2.1 | 3.4 | V/ns | 1,2,3 |
| Slew rate matching | dV/dt | Slew rate matching, Scope averaging on | | 7 | 20 | % | 1,2,4 |
| Voltage High | V _{HIGH} | Statistical measurement on single-ended signal using oscilloscope math function. (Scope averaging on) | 660 | 791 | 850 | mV | 7 |
| Voltage Low | V _{LOW} | | -150 | 16 | 150 | | 7 |
| Max Voltage | V _{max} | Measurement on single ended signal using absolute value. (Scope averaging off) | | 800 | 1150 | mV | 7 |
| Min Voltage | V _{min} | | -300 | -3 | | | 7 |
| Vswing | V _{swing} | Scope averaging off | 300 | 1548 | | mV | 1,2 |
| Crossing Voltage (abs) | V _{cross_abs} | Scope averaging off | 250 | 414 | 550 | mV | 1,5 |
| Crossing Voltage (var) | Δ-V _{cross} | Scope averaging off | | 13 | 140 | mV | 1,6 |

¹Guaranteed by design and characterization, not 100% tested in production.

² Measured from differential waveform

³ Slew rate is measured through the V_{swing} voltage range centered around differential 0V. This results in a +/-150mV window around differential 0V.

⁴ Matching applies to rising edge rate for Clock and falling edge rate for Clock#. It is measured using a +/-75mV window centered on the average cross point where Clock rising meets Clock# falling. The median cross point is used to calculate the voltage thresholds the oscilloscope is to use for the edge rate calculations.

⁵ V_{cross} is defined as voltage where Clock = Clock# measured on a component test board and only applies to the differential rising edge (i.e. Clock rising and Clock# falling).

⁶ The total variation of all V_{cross} measurements in any particular system. Note that this is a subset of V_{cross_min/max} (V_{cross} absolute) allowed. The intent is to limit V_{cross} induced modulation by setting Δ-V_{cross} to be smaller than V_{cross} absolute.

⁷ At default SMBus settings.

Electrical Characteristics–Current Consumption

TA = T_{AMB}; Supply Voltage per VDD, VDDIO of normal operation conditions, See Test Loads for Loading Conditions

| PARAMETER | SYMBOL | CONDITIONS | MIN | TYP | MAX | UNITS | NOTES |
|--------------------------|--------------------|-----------------------------------|-----|--------|-----|-------|-------|
| Operating Supply Current | I _{DDA} | VDDA+VDDR, PLL Mode, @100MHz | | 11 | 15 | mA | 1 |
| | I _{DD} | VDD, All outputs active @100MHz | | 6 | 10 | mA | 1 |
| | I _{DDO} | VDDIO, All outputs active @100MHz | | 24 | 30 | mA | 1 |
| Powerdown Current | I _{DDAPD} | VDDA+VDDR, CKPWRGD_PD#=0 | | 0.4 | 0.6 | mA | 1, 2 |
| | I _{DDPD} | VDD, CKPWRGD_PD#=0 | | 0.5 | 0.8 | mA | 1, 2 |
| | I _{DDOPD} | VDDIO, CKPWRGD_PD#=0 | | 0.0003 | 0.1 | mA | 1, 2 |

¹ Guaranteed by design and characterization, not 100% tested in production.

² Input clock stopped.

Electrical Characteristics–Output Duty Cycle, Jitter, Skew and PLL Characteristics

TA = T_{AMB}; Supply Voltage per VDD, VDDIO of normal operation conditions, See Test Loads for Loading Conditions

| PARAMETER | SYMBOL | CONDITIONS | MIN | TYP | MAX | UNITS | NOTES |
|------------------------|----------------------|--|------|------|------|-------|-------|
| PLL Bandwidth | BW | -3dB point in High BW Mode | 1.8 | 2.7 | 3.8 | MHz | 1,5 |
| | | -3dB point in Low BW Mode | 0.8 | 1.4 | 2 | MHz | 1,5 |
| PLL Jitter Peaking | t _{JPEAK} | Peak Pass band Gain | | 1.3 | 2 | dB | 1 |
| Duty Cycle | t _{DC} | Measured differentially, PLL Mode | 45 | 50.1 | 55 | % | 1 |
| Duty Cycle Distortion | t _{DCD} | Measured differentially, Bypass Mode @100MHz | -1 | 0 | 1 | % | 1,3 |
| Skew, Input to Output | t _{pdBYP} | Bypass Mode, V _T = 50% | 3000 | 3600 | 4500 | ps | 1 |
| | t _{pdPLL} | PLL Mode V _T = 50% | 0 | -4 | 200 | ps | 1,4 |
| Skew, Output to Output | t _{sk3} | V _T = 50% | | 39 | 50 | ps | 1,4 |
| Jitter, Cycle to cycle | t _{jcy-cyc} | PLL mode | | 14 | 50 | ps | 1,2 |
| | | Additive Jitter in Bypass Mode | | 0.1 | 5 | ps | 1,2 |

¹ Guaranteed by design and characterization, not 100% tested in production.

² Measured from differential waveform

³ Duty cycle distortion is the difference in duty cycle between the output and the input clock when the device is operated in bypass mode.

⁴ All outputs at default slew rate

⁵ The MIN/TYP/MAX values of each BW setting track each other, i.e., Low BW MAX will never occur with Hi BW MIN.

Electrical Characteristics–Phase Jitter Parameters — 12kHz to 20MHz

T_{AMB} = over the specified operating range. Supply Voltages per normal operation conditions. See Test Loads for loading conditions.

| Parameter | Symbol | Conditions | Minimum | Typical | Maximum | Specification Limit | Units | Notes |
|--|---------------------------|---|---------|---------|---------|---------------------|----------|---------|
| 12k-20M Additive Phase Jitter, Fan-out Buffer Mode | t _{ph12k-20MFOB} | Fan-out Buffer Mode, SSC OFF, 156.25MHz | | 156 | | n/a | fs (rms) | 1, 2, 3 |

Notes:

1. Applies to all differential outputs, guaranteed by design and characterization. See Test Loads for measurement setup details.

2. 12kHz to 20MHz brick wall filter.

3. For RMS values additive jitter is calculated by solving for b where $[b = \sqrt{c^2 - a^2}]$, a is rms input jitter and c is rms total jitter.

Electrical Characteristics—Additive PCIe Phase Jitter for Fanout Buffer Mode^[7]

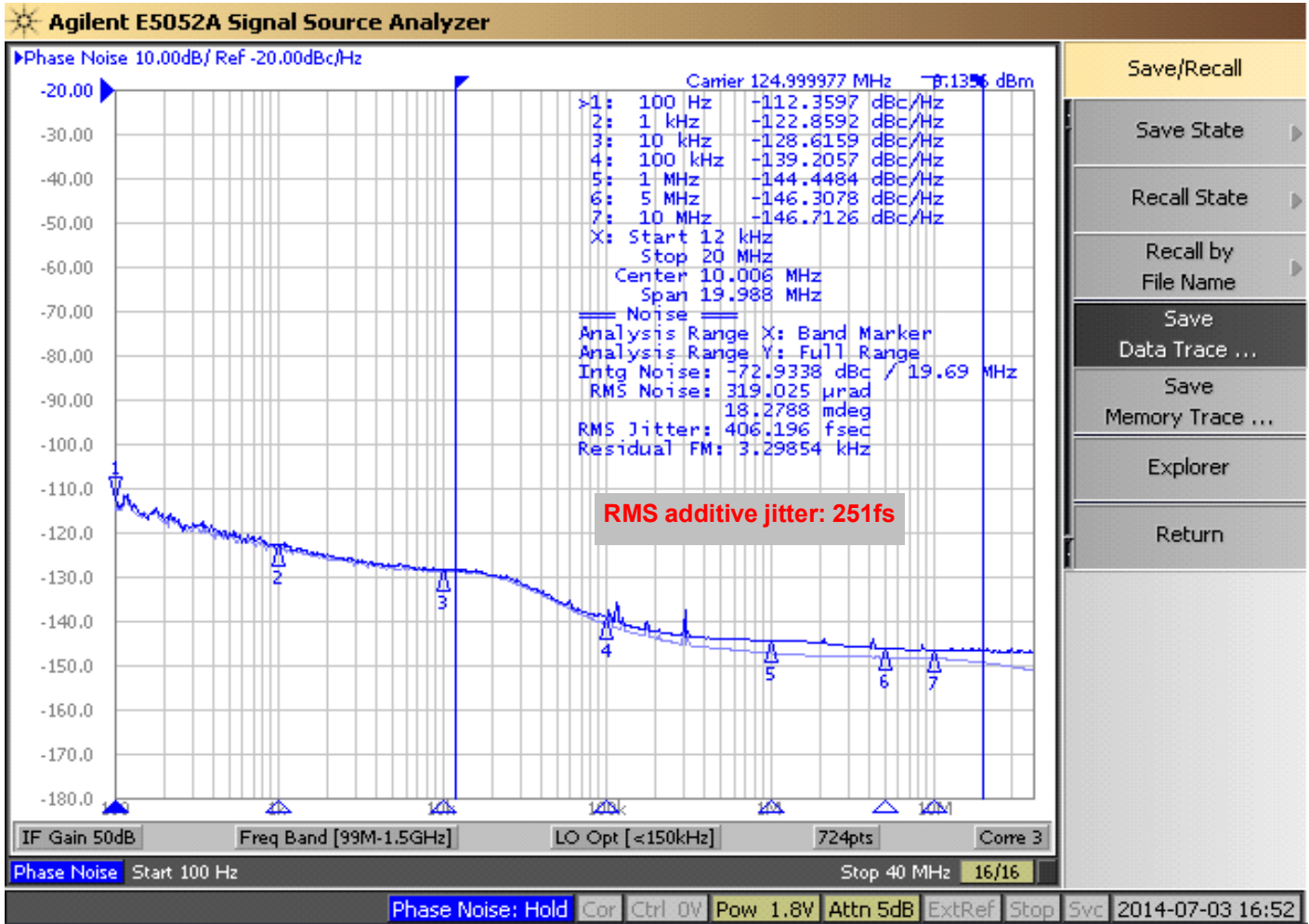
T_{AMB} = over the specified operating range. Supply Voltages per normal operation conditions. See Test Loads for loading conditions.

| Parameter | Symbol | Conditions | Minimum | Typical | Maximum | Limit | Units | Notes |
|---|----------------------------|-------------------------------|---------|---------|---------|-------|-------------|------------|
| Additive PCIe Phase Jitter, Fan-out Buffer Mode (Common Clocked Architecture) | $t_{\text{phPCleG1-CC}}$ | PCIe Gen 1 (2.5 GT/s) | | 1.7 | 3.0 | 86 | ps (p-p) | 1, 2 |
| | $t_{\text{phPCleG2-CC}}$ | PCIe Gen 2 Hi Band (5.0 GT/s) | | 0.033 | 0.049 | 3 | ps (RMS) | 1, 2 |
| | | PCIe Gen 2 Lo Band (5.0 GT/s) | | 0.122 | 0.199 | 3.1 | ps (RMS) | 1, 2 |
| | $t_{\text{phPCleG3-CC}}$ | PCIe Gen 3 (8.0 GT/s) | | 0.059 | 0.098 | 1 | ps (RMS) | 1, 2 |
| | $t_{\text{phPCleG4-CC}}$ | PCIe Gen 4 (16.0 GT/s) | | 0.059 | 0.098 | 0.5 | ps (RMS) | 1, 2, 3, 4 |
| | $t_{\text{phPCleG5-CC}}$ | PCIe Gen 5 (32.0 GT/s) | | 0.023 | 0.038 | 0.15 | ps (RMS) | 1, 2, 3, 5 |
| Additive PCIe Phase Jitter, Fan-out Buffer Mode (SRIS Architecture) | $t_{\text{phPCleG1-SRIS}}$ | PCIe Gen 1 (2.5 GT/s) | | 0.175 | 0.038 | n/a | ps (RMS) | 1, 2, 6 |
| | $t_{\text{phPCleG2-SRIS}}$ | PCIe Gen 2 (5.0 GT/s) | | 0.156 | 0.275 | n/a | ps (RMS) | 1, 2, 6 |
| | $t_{\text{phPCleG3-SRIS}}$ | PCIe Gen 3 (8.0 GT/s) | | 0.041 | 0.247 | n/a | ps (RMS) | 1, 2, 6 |
| | $t_{\text{phPCleG4-SRIS}}$ | PCIe Gen 4 (16.0 GT/s) | | 0.043 | 0.064 | n/a | ps (RMS) | 1, 2, 6 |
| | $t_{\text{phPCleG5-SRIS}}$ | PCIe Gen 5 (32.0 GT/s) | | 0.036 | 0.066 | n/a | ps (RMS) | 1, 2, 6 |

Notes:

- The RefClk jitter is measured after applying the filter functions found in PCI Express Base Specification 5.0, Revision 1.0. See the Test Loads section of the data sheet for the exact measurement setup. The total Ref Clk jitter limits for each data rate are listed for convenience. The worst case results for each data rate are summarized in this table. If oscilloscope data is used, equipment noise is removed from all results.
- Jitter measurements shall be made with a capture of at least 100,000 clock cycles captured by a real-time oscilloscope (RTO) with a sample rate of 20 GS/s or greater. Broadband oscilloscope noise must be minimized in the measurement. The measured PP jitter is used (no extrapolation) for RTO measurements. Alternately - Jitter measurements may be used with a Phase Noise Analyzer (PNA) extending (flat) and integrating and folding the frequency content up to an offset from the carrier frequency of at least 200 MHz (at 300 MHz absolute frequency) below the Nyquist frequency. For PNA measurements for the 2.5 GT/s data rate, the RMS jitter is converted to peak to peak jitter using a multiplication factor of 8.83. In the case where real-time oscilloscope and PNA measurements have both been done and produce different results the RTO result must be used.
- SSC spurs from the fundamental and harmonics are removed up to a cutoff frequency of 2 MHz taking care to minimize removal of any non-SSC content
- Note that 0.7 ps RMS is to be used in channel simulations to account for additional noise in a real system.
- Note that 0.25 ps RMS is to be used in channel simulations to account for additional noise in a real system.
- The PCI Express Base Specification 5.0, Revision 1.0 provides the filters necessary to calculate SRIS jitter values, however, it does not provide specification limits, hence the n/a in the Limit column. SRIS values are informative only. In general, a clock operating in an SRIS system must be twice as good as a clock operating in a Common Clock system. For RMS values, twice as good is equivalent to dividing the CC value by $\sqrt{2}$. And additional consideration is the value for which to divide by $\sqrt{2}$. The conservative approach is to divide the ref clock jitter limit, and the case can be made for dividing the channel simulation values by $\sqrt{2}$, if the ref clock is close to the Tx clock input. An example for Gen4 is as follows. A "rule-of-thumb" SRIS limit would be either $0.5\text{ps RMS}/\sqrt{2} = 0.35\text{ps RMS}$ if the clock chip is far from the clock input, or $0.7\text{ps RMS}/\sqrt{2} = 0.5\text{ps RMS}$ if the clock chip is near the clock input.
- Additive jitter for RMS values is calculated by solving for b where $b = \sqrt{c^2 - a^2}$, and a is rms input jitter and c is rms output jitter.

Additive Phase Jitter: 125M (12kHz to 20MHz)



General SMBus Serial Interface Information

How to Write

- Controller (host) sends a start bit
- Controller (host) sends the write address
- Renesas clock will **acknowledge**
- Controller (host) sends the beginning byte location = N
- Renesas clock will **acknowledge**
- Controller (host) sends the byte count = X
- Renesas clock will **acknowledge**
- Controller (host) starts sending Byte **N through Byte N+X-1**
- Renesas clock will **acknowledge** each byte **one at a time**
- Controller (host) sends a Stop bit

How to Read

- Controller (host) will send a start bit
- Controller (host) sends the write address
- Renesas clock will **acknowledge**
- Controller (host) sends the beginning byte location = N
- Renesas clock will **acknowledge**
- Controller (host) will send a separate start bit
- Controller (host) sends the read address
- Renesas clock will **acknowledge**
- Renesas clock will send the data byte count = X
- Renesas clock sends Byte **N+X-1**
- Renesas clock sends **Byte 0 through Byte X (if X_(H) was written to Byte 8)**
- Controller (host) will need to acknowledge each byte
- Controller (host) will send a not acknowledge bit
- Controller (host) will send a stop bit

| Index Block Write Operation | | | |
|-----------------------------|-----------|--------------------------|-----|
| Controller (Host) | | Renesas (Slave/Receiver) | |
| T | starT bit | | |
| Slave Address | | | |
| WR | WRite | | |
| | | | ACK |
| Beginning Byte = N | | | ACK |
| Data Byte Count = X | | | ACK |
| Beginning Byte N | | X Byte | ACK |
| O | | | O |
| O | | | O |
| O | | | O |
| O | | | O |
| Byte N + X - 1 | | | ACK |
| P | stoP bit | | |

| Index Block Read Operation | | | |
|----------------------------|-----------------|---------|-------------------|
| Controller (Host) | | Renesas | |
| T | starT bit | | |
| Slave Address | | | |
| WR | WRite | | |
| | | | ACK |
| Beginning Byte = N | | | ACK |
| RT | Repeat starT | | |
| Slave Address | | | |
| RD | ReaD | | ACK |
| | | | |
| ACK | | | Data Byte Count=X |
| ACK | | | Beginning Byte N |
| | | X Byte | O |
| O | | | O |
| O | | | O |
| O | | | |
| | | | Byte N + X - 1 |
| N | Not acknowledge | | |
| P | stoP bit | | |

Note: Read/Write address is latched on SADR pin.

SMBus Table: Output Enable Register ¹

| Byte 0 | Name | Control Function | Type | 0 | 1 | Default |
|--------|----------|------------------|------|---------|---------|---------|
| Bit 7 | DIF OE5 | Output Enable | RW | Low/Low | Enabled | 1 |
| Bit 6 | DIF OE4 | Output Enable | RW | Low/Low | Enabled | 1 |
| Bit 5 | Reserved | | | | | 1 |
| Bit 4 | DIF OE3 | Output Enable | RW | Low/Low | Enabled | 1 |
| Bit 3 | DIF OE2 | Output Enable | RW | Low/Low | Enabled | 1 |
| Bit 2 | DIF OE1 | Output Enable | RW | Low/Low | Enabled | 1 |
| Bit 1 | Reserved | | | | | 1 |
| Bit 0 | DIF OE0 | Output Enable | RW | Low/Low | Enabled | 1 |

1. A low on these bits will override the OE# pin and force the differential output Low/Low

SMBus Table: PLL Operating Mode and Output Amplitude Control Register

| Byte 1 | Name | Control Function | Type | 0 | 1 | Default |
|--------|-----------------|--------------------------------|-----------------|--------------------------------|--------------------------------|---------|
| Bit 7 | PLLMODERB1 | PLL Mode Readback Bit 1 | R | See PLL Operating Mode Table | | Latch |
| Bit 6 | PLLMODERB0 | PLL Mode Readback Bit 0 | R | | | Latch |
| Bit 5 | PLLMODE_SWCNTRL | Enable SW control of PLL Mode: | RW | Values in B1[7:6] set PLL Mode | Values in B1[4:3] set PLL Mode | 0 |
| Bit 4 | PLLMODE1 | PLL Mode Control Bit 1 | RW ¹ | See PLL Operating Mode Table | | 0 |
| Bit 3 | PLLMODE0 | PLL Mode Control Bit 0 | RW ¹ | | | 0 |
| Bit 2 | Reserved | | | | | 1 |
| Bit 1 | AMPLITUDE 1 | Controls Output Amplitude | RW | 00 = 0.6V | 01 = 0.7V | 1 |
| Bit 0 | AMPLITUDE 0 | | RW | 10 = 0.8V | 11 = 0.9V | 0 |

1. B1[5] must be set to a 1 for these bits to have any effect on the part.

SMBus Table: DIF Slew Rate Control Register

| Byte 2 | Name | Control Function | Type | 0 | 1 | Default |
|--------|------------------|--------------------------|------|--------------|--------------|---------|
| Bit 7 | SLEWRATESEL DIF5 | Adjust Slew Rate of DIF5 | RW | Slow setting | Fast setting | 1 |
| Bit 6 | SLEWRATESEL DIF4 | Adjust Slew Rate of DIF4 | RW | Slow setting | Fast setting | 1 |
| Bit 5 | Reserved | | | | | 1 |
| Bit 4 | SLEWRATESEL DIF3 | Adjust Slew Rate of DIF3 | RW | Slow setting | Fast setting | 1 |
| Bit 3 | SLEWRATESEL DIF2 | Adjust Slew Rate of DIF2 | RW | Slow setting | Fast setting | 1 |
| Bit 2 | SLEWRATESEL DIF1 | Adjust Slew Rate of DIF1 | RW | Slow setting | Fast setting | 1 |
| Bit 1 | Reserved | | | | | 1 |
| Bit 0 | SLEWRATESEL DIF0 | Adjust Slew Rate of DIF0 | RW | Slow setting | Fast setting | 1 |

SMBus Table: Frequency Select Control Register

| Byte 3 | Name | Control Function | Type | 0 | 1 | Default |
|--------|----------------|----------------------------------|-----------------|------------------------------|-----------------------------|---------|
| Bit 7 | Reserved | | | | | 1 |
| Bit 6 | Reserved | | | | | 1 |
| Bit 5 | FREQ_SEL_EN | Enable SW selection of frequency | RW | SW frequency change disabled | SW frequency change enabled | 0 |
| Bit 4 | FSEL1 | Freq. Select Bit 1 | RW ¹ | See Frequency Select Table | | 0 |
| Bit 3 | FSEL0 | Freq. Select Bit 0 | RW ¹ | | | 0 |
| Bit 2 | Reserved | | | | | 1 |
| Bit 1 | Reserved | | | | | 1 |
| Bit 0 | SLEWRATESEL FB | Adjust Slew Rate of FB | RW | Slow setting | Fast setting | 1 |

1. B3[5] must be set to a 1 for these bits to have any effect on the part.

Byte 4 is Reserved and reads back 'hFF'

SMBus Table: Revision and Vendor ID Register

| Byte 5 | Name | Control Function | Type | 0 | 1 | Default |
|--------|------|------------------|------|--------------|---|---------|
| Bit 7 | RID3 | Revision ID | R | A rev = 0000 | | 0 |
| Bit 6 | RID2 | | R | | | 0 |
| Bit 5 | RID1 | | R | | | 0 |
| Bit 4 | RID0 | | R | | | 0 |
| Bit 3 | VID3 | VENDOR ID | R | 0001 = IDT | | 0 |
| Bit 2 | VID2 | | R | | | 0 |
| Bit 1 | VID1 | | R | | | 0 |
| Bit 0 | VID0 | | R | | | 1 |

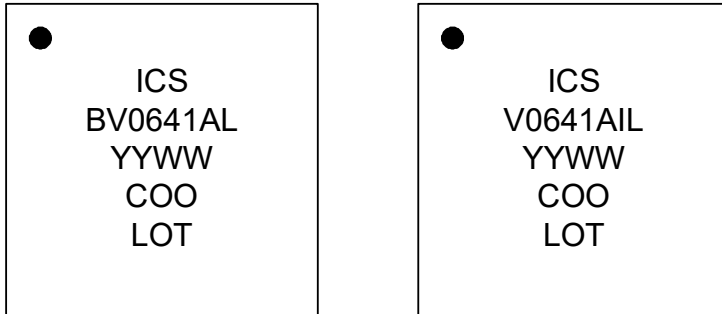
SMBus Table: Device Type/Device ID

| Byte 6 | Name | Control Function | Type | 0 | 1 | Default |
|--------|--------------|------------------|------|--|---|---------|
| Bit 7 | Device Type1 | Device Type | R | 00 = FG, 01 = DB 10 = DM, 11 = DB fanout only | | 0 |
| Bit 6 | Device Type0 | | R | | | 1 |
| Bit 5 | Device ID5 | Device ID | R | 000110 binary or 06 hex | | 0 |
| Bit 4 | Device ID4 | | R | | | 0 |
| Bit 3 | Device ID3 | | R | | | 0 |
| Bit 2 | Device ID2 | | R | | | 1 |
| Bit 1 | Device ID1 | | R | | | 1 |
| Bit 0 | Device ID0 | | R | | | 0 |

SMBus Table: Byte Count Register

| Byte 7 | Name | Control Function | Type | 0 | 1 | Default |
|--------|----------|------------------------|------|---|---|---------|
| Bit 7 | Reserved | | | | | 0 |
| Bit 6 | Reserved | | | | | 0 |
| Bit 5 | Reserved | | | | | 0 |
| Bit 4 | BC4 | Byte Count Programming | RW | Writing to this register will configure how many bytes will be read back, default is = 8 bytes. | | 0 |
| Bit 3 | BC3 | | RW | | | 1 |
| Bit 2 | BC2 | | RW | | | 0 |
| Bit 1 | BC1 | | RW | | | 0 |
| Bit 0 | BC0 | | RW | | | 0 |

Marking Diagrams



Notes:

1. "LOT" is the lot sequence number.
2. "COO" denotes country of origin.
3. "YYWW" is the last two digits of the year and week that the part was assembled.
4. Line 2: truncated part number
5. "L" denotes RoHS compliant package.
6. "I" denotes industrial temperature range device.

Thermal Characteristics

| PARAMETER | SYMBOL | CONDITIONS | PKG | TYP VALUE | UNITS | NOTES |
|--------------------|----------------|---------------------------------|-------|-----------|-------|-------|
| Thermal Resistance | θ_{JC} | Junction to Case | NDG40 | 42 | °C/W | 1 |
| | θ_{Jb} | Junction to Base | | 2.4 | °C/W | 1 |
| | θ_{JA0} | Junction to Air, still air | | 39 | °C/W | 1 |
| | θ_{JA1} | Junction to Air, 1 m/s air flow | | 33 | °C/W | 1 |
| | θ_{JA3} | Junction to Air, 3 m/s air flow | | 28 | °C/W | 1 |
| | θ_{JA5} | Junction to Air, 5 m/s air flow | | 27 | °C/W | 1 |

¹ePad soldered to board

Package Outline Drawings

The package outline drawings are located at the end of this document and are accessible from the Renesas website. The package information is the most current data available and is subject to change without revision of this document.

[40-VFQFPN \(NDG40P2\)](#)

Ordering Information

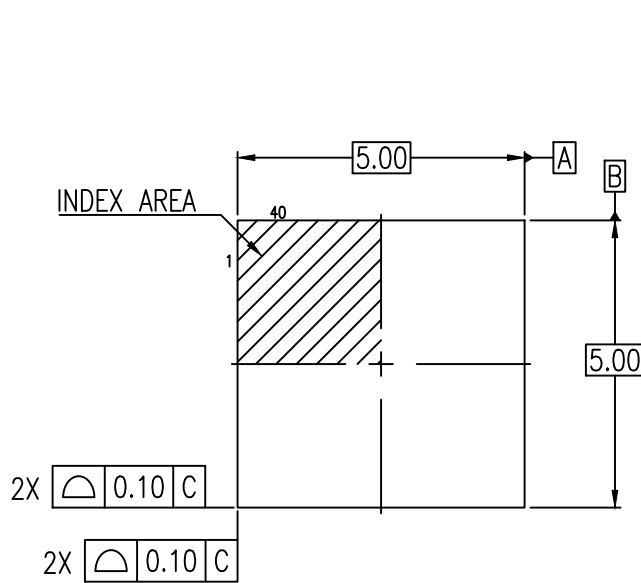
| Part / Order Number | Shipping Packaging | Package | Temperature |
|---------------------|--------------------|---------------|---------------|
| 9DBV0641AKLF | Trays | 40-pin VFQFPN | 0 to +70° C |
| 9DBV0641AKLFT | Tape and Reel | 40-pin VFQFPN | 0 to +70° C |
| 9DBV0641AKILF | Trays | 40-pin VFQFPN | -40 to +85° C |
| 9DBV0641AKILFT | Tape and Reel | 40-pin VFQFPN | -40 to +85° C |

"LF" suffix to the part number are the Pb-Free configuration and are RoHS compliant.

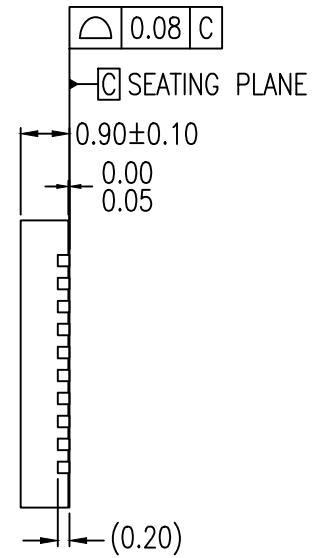
"A" is the device revision designator (will not correlate with the datasheet revision).

Revision History

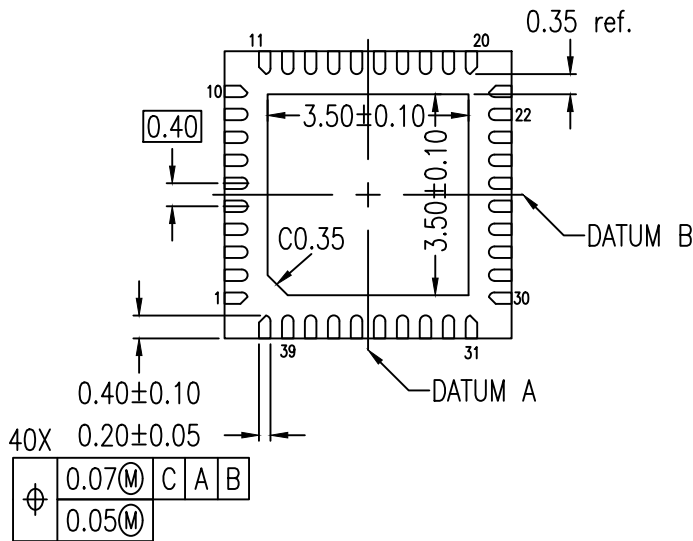
| Revision Date | Description |
|--------------------|---|
| September 8, 2014 | Move from Advance to Preliminary |
| September 10, 2014 | <ol style="list-style-type: none">1. Updated front page text for consistency.2. Updated block diagram for consistency.3. Updated electrical tables with characterization data.4. Updated SMBus nomenclature - bits did NOT change.5. Changed IDD spec from 8mA to 10mA MAX. |
| November 7, 2014 | <ol style="list-style-type: none">1. Widened input frequency ranges for PLL modes. |
| August 2, 2021 | <ol style="list-style-type: none">1. Updated document title.2. Updated Recommended Applications.3. Updated Key Specifications.4. Updated Package Outline Drawings section.5. Updated Phase Jitter tables. |



TOP VIEW



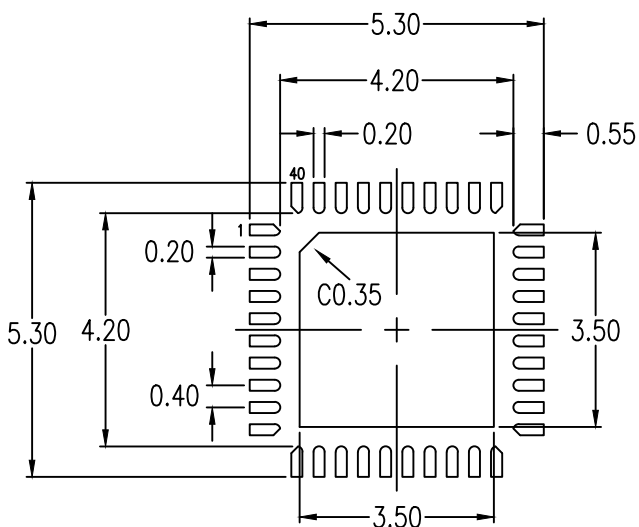
SIDE VIEW



BOTTOM VIEW

NOTES:

1. DIMENSIONING AND TOLERANCING CONFORM TO ASME Y14.5-2009
2. ALL DIMENSIONS ARE IN MILLIMETERS



RECOMMENDED LAND PATTERN DIMENSION

NOTES:

1. ALL DIMENSIONS ARE IN MM. ANGLES IN DEGREES
2. TOP DOWN VIEW. AS VIEWED ON PCB
3. LAND PATTERN RECOMMENDATION PER IPC-7351B GENERIC REQUIREMENT FOR SURFACE MOUNT DESIGN AND LAND PATTERN.
4. NSMD PATTERN ASSUMED

| Package Revision History | | |
|--------------------------|---------|--------------------------------------|
| Date Created | Rev No. | Description |
| Feb 25, 2021 | 01 | Update Template to Marketing Version |
| May 17, 2016 | 00 | Initial release |

IMPORTANT NOTICE AND DISCLAIMER

RENESAS ELECTRONICS CORPORATION AND ITS SUBSIDIARIES (“RENESAS”) PROVIDES TECHNICAL SPECIFICATIONS AND RELIABILITY DATA (INCLUDING DATASHEETS), DESIGN RESOURCES (INCLUDING REFERENCE DESIGNS), APPLICATION OR OTHER DESIGN ADVICE, WEB TOOLS, SAFETY INFORMATION, AND OTHER RESOURCES “AS IS” AND WITH ALL FAULTS, AND DISCLAIMS ALL WARRANTIES, EXPRESS OR IMPLIED, INCLUDING, WITHOUT LIMITATION, ANY IMPLIED WARRANTIES OF MERCHANTABILITY, FITNESS FOR A PARTICULAR PURPOSE, OR NON-INFRINGEMENT OF THIRD PARTY INTELLECTUAL PROPERTY RIGHTS.

These resources are intended for developers skilled in the art designing with Renesas products. You are solely responsible for (1) selecting the appropriate products for your application, (2) designing, validating, and testing your application, and (3) ensuring your application meets applicable standards, and any other safety, security, or other requirements. These resources are subject to change without notice. Renesas grants you permission to use these resources only for development of an application that uses Renesas products. Other reproduction or use of these resources is strictly prohibited. No license is granted to any other Renesas intellectual property or to any third party intellectual property. Renesas disclaims responsibility for, and you will fully indemnify Renesas and its representatives against, any claims, damages, costs, losses, or liabilities arising out of your use of these resources. Renesas' products are provided only subject to Renesas' Terms and Conditions of Sale or other applicable terms agreed to in writing. No use of any Renesas resources expands or otherwise alters any applicable warranties or warranty disclaimers for these products.

(Rev.1.0 Mar 2020)

Corporate Headquarters

TOYOSU FORESIA, 3-2-24 Toyosu,
Koto-ku, Tokyo 135-0061, Japan
www.renesas.com

Contact Information

For further information on a product, technology, the most up-to-date version of a document, or your nearest sales office, please visit:
www.renesas.com/contact/

Trademarks

Renesas and the Renesas logo are trademarks of Renesas Electronics Corporation. All trademarks and registered trademarks are the property of their respective owners.