

Design Note

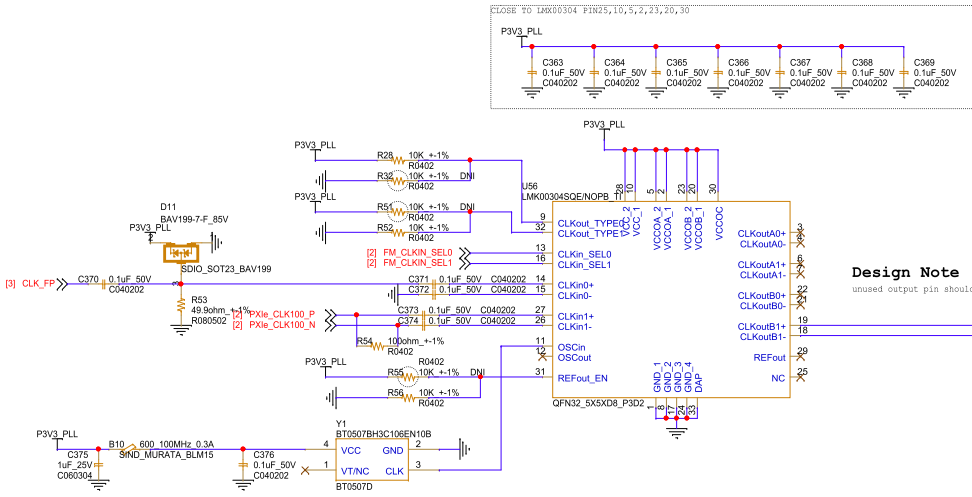
CLKOUT_TYUPE1	CLKOUT_TYUPE0	CLKOUTX_TYUPE(BANK A AND B)
0	0	LVPECL
0	1	LVDS
1	0	HCSL
1	1	Disabled (HS-2)

Design Note

OSCOut leave floating when OSCIn driven by a single-ended clock
REFOut_EN = 0 disable REFOUT output

CLKIn_SEL1	CLKIn_SEL0	SELECTED INPUT
0	0	CLKIn0,CLKIn0*
0	1	CLKIn1,CLKIn1*
1	X	OSCOin

Measurement point: OSCin



Design Note

unused output pin should left floating

LVDS CLK REF_P
LVDS_CLK_REF_N

Design Note

Register R5 bit[1:0] enable internal terminal 50R

Design Note

TI recommend unused pin pull low: SysRefReq, RampCLK, RampDir

