

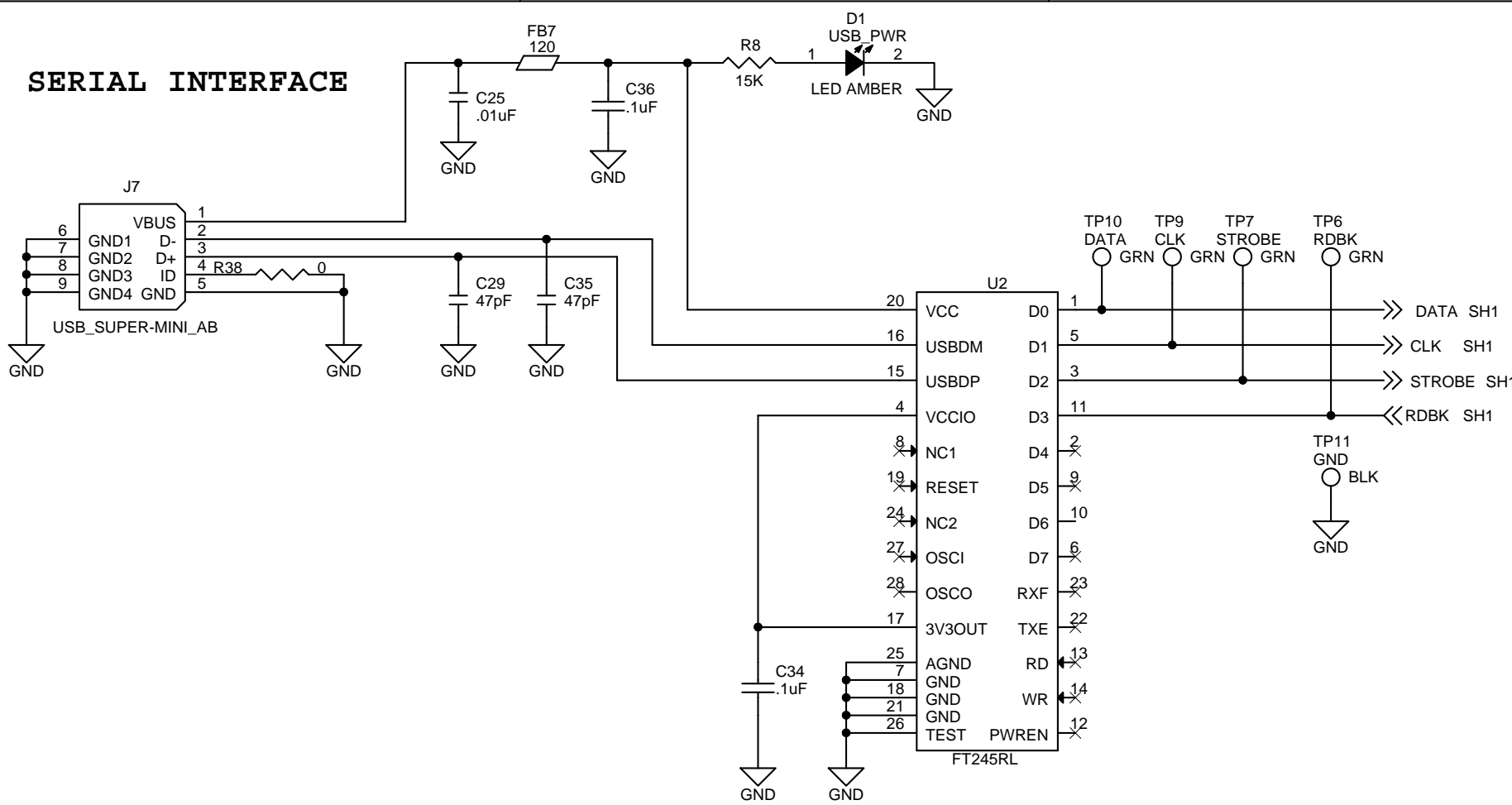
**TEXAS INSTRUMENTS**

Title: **TRF3765 EVM**

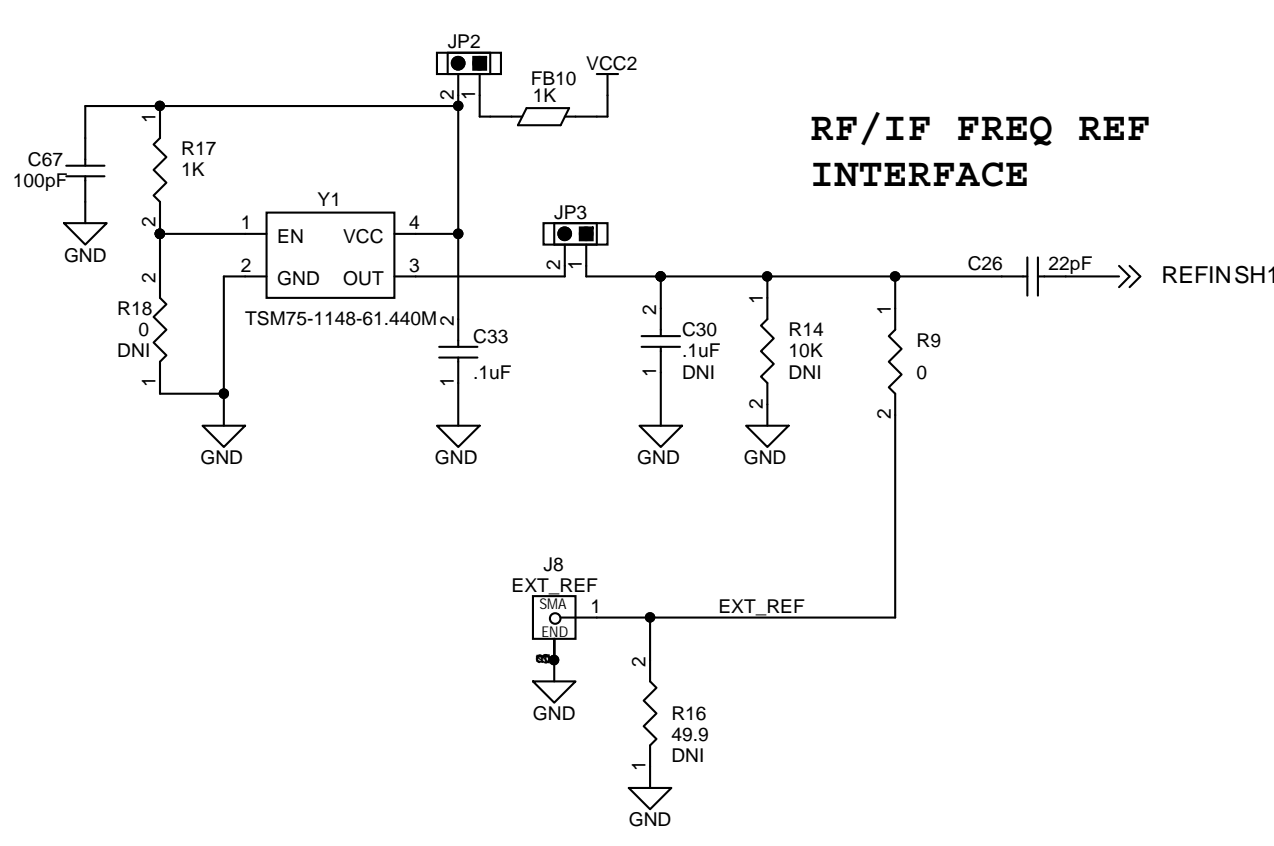
Size: <b>B</b>	Document Number: <b>TRF3765</b>	Rev: <b>E</b>
Date: <b>05Apr12</b>	Sheet: <b>1</b>	of <b>3</b>

Engineer: C SIPP  
 Drawn By: JV SMITH

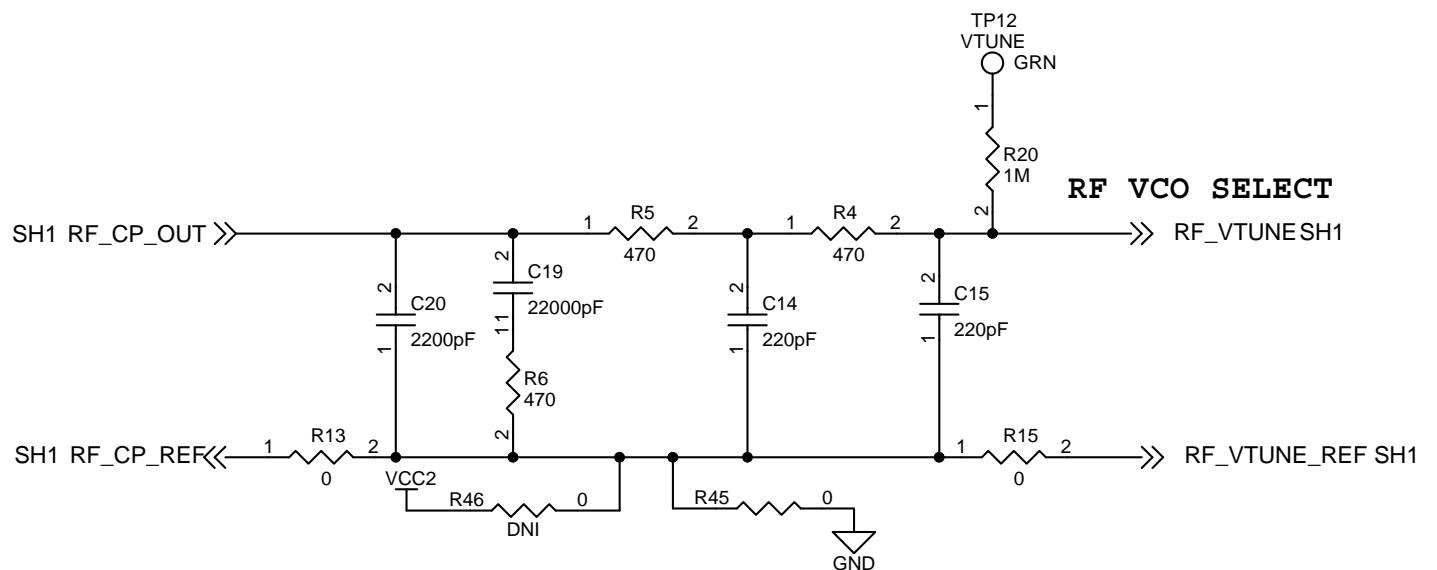
# SERIAL INTERFACE



# RF/IF FREQ REF INTERFACE



# RF VCO SELECT

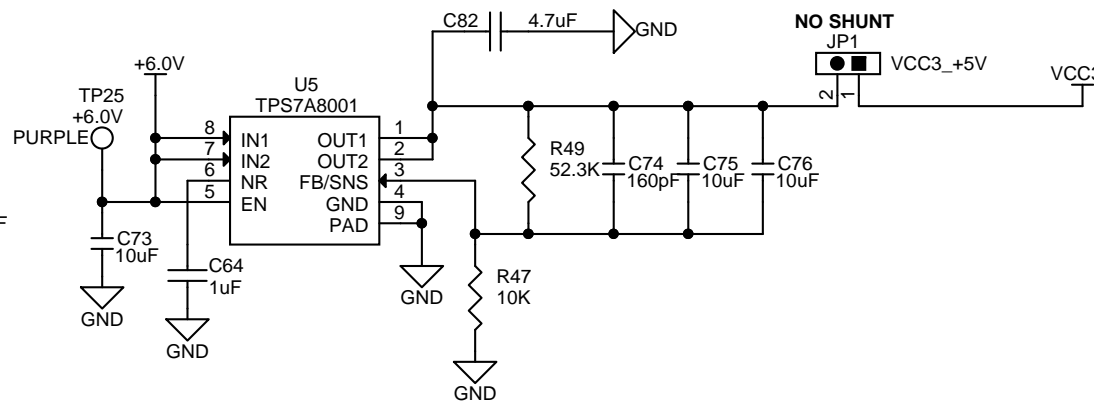
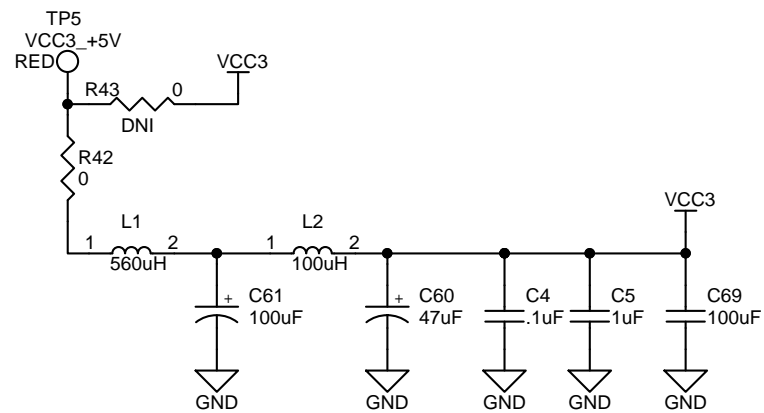
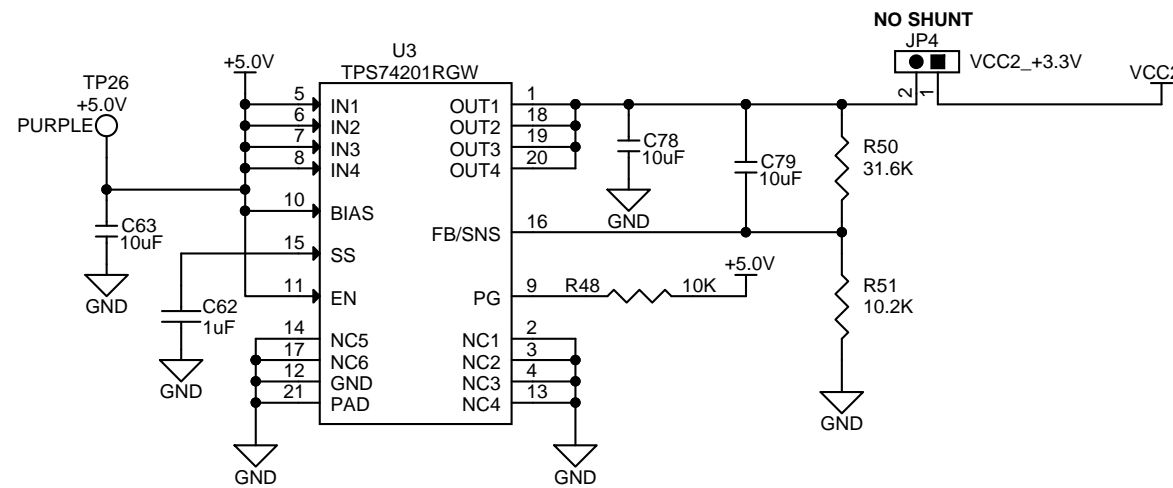
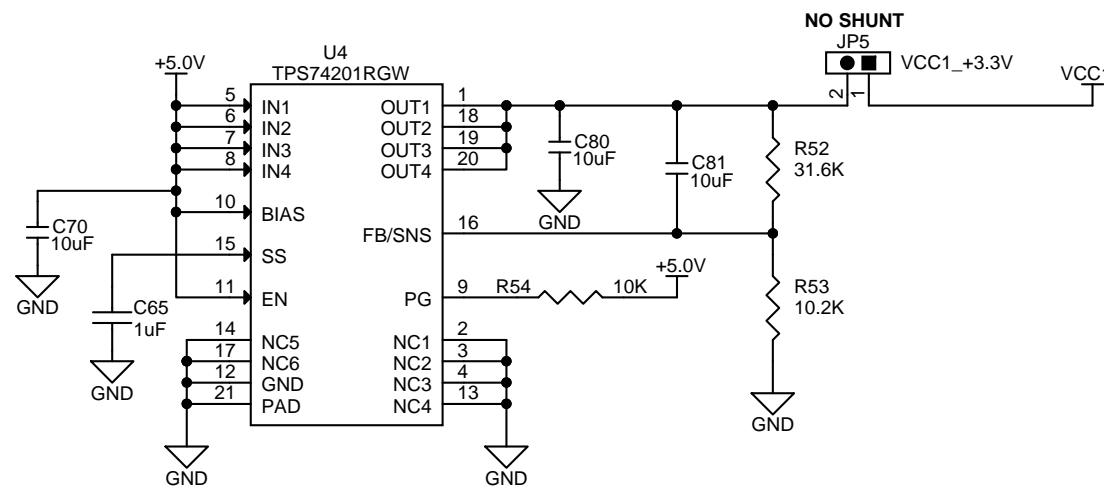
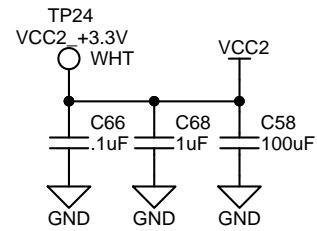
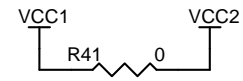
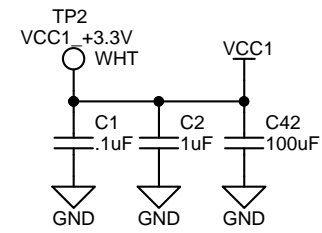


**TEXAS INSTRUMENTS**

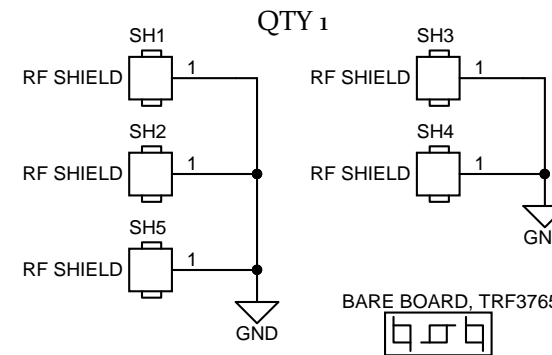
Title: **TRF3765 EVM**

Size **B** | Document Number: **INTERFACE** | Rev **E**

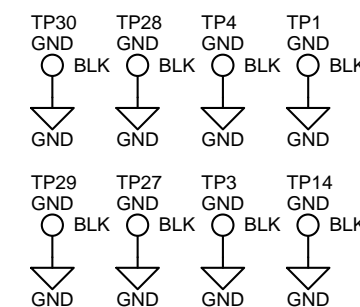
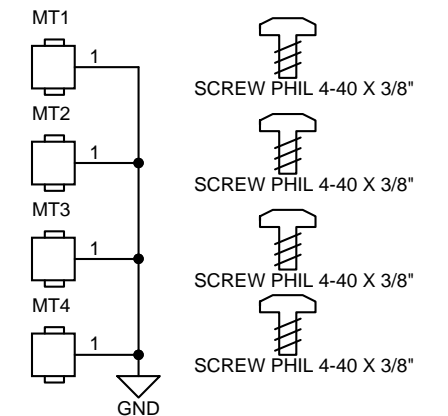
Date: 07May12 | Sheet 2 of 3



**RF FENCE AND COVER**



**BOARD HARDWARE**



**TEXAS INSTRUMENTS**

Title: **TRF3765 EVM**

Size: <b>B</b>	Document Number: <b>POWER</b>	Rev: <b>E</b>
Date: 05Apr12	Sheet: 3 of 3	