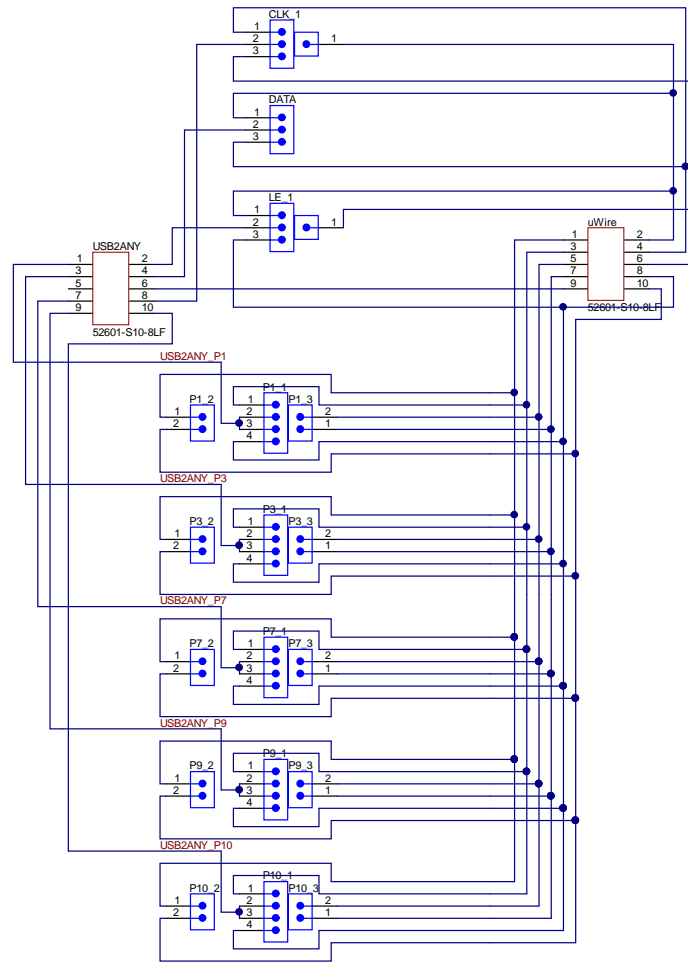




**USB2ANY Signal Pin Assignments**  
 Pin # - USB2ANY Name - uWire Name  
 1 - GPIO7 / PWM0 - Sync  
 2 - GPIO6 / SPI(CS) / PWM1 - LE  
 3 - GPIO5 / SPI(SOMI) / UART(RXD) - Readback  
 4 - GPIO4 / SPI(SIMO) / UART(TXD) - Data  
 5 - NC  
 6 - Ground  
 7 - GPIO3 / PWM2 - RF/GOE  
 8 - GPIO2 / SPI(SCLK) - Clock  
 9 - GPIO1 / I2C SCL - Trigger  
 10 - GPIO0 / I2C SDA - CE



**USB2ANY - uWire Jumper Assignments**  
 \*LMK01000 - D,E,I,M,P,R,S  
 LMK01801 - H,L,P,Q,T  
 \*LMK02000 - C,E,I,M,P,R,S  
 LMK03xxx - C,E,I,M,P,R,S  
 LMK040xx - D,E,M,P,R,S  
 LMK041xx - D,E,M,P,R,S  
 LMK0480x - E,M,P,Q,T  
 LMK04816 - E,M,P,Q,T  
 LMK0482x - F,P,Q,T  
 LMK04906 - E,M,P,Q,T  
 LMX2485 - O,R,U  
 LMX2487 - O,R,U  
 LMX2531 - G,N,R,U,Y  
 LMX2541 - A,G,J,P,R,S,X  
 LMX2581 - B,F,K,P,R,S,Y

NOTE: Install only one jumper on each signal selection and only the jumper locations specified

Texas Instruments and/or its licensors do not warrant the accuracy or completeness of this specification or any information contained therein. Texas Instruments and/or its licensors do not warrant that this design will meet the specifications, will be suitable for your application or fit for any particular purpose, or will operate in an implementation. Texas Instruments and/or its licensors do not warrant that the design is production worthy. You should completely validate and test your design implementation to confirm the system functionality for your application.

Designed for: Public Release	Mod. Date: 2013-08-01
Project Title: USB2ANY to uWIRE Adapter	Rev: C
Number: SV600857	Sheet Title: USB2ANY-uWIRE Adapter
SVN Rev: Not in version control	Assembly Variant: [No Variations]
Drawn By: S. Cozort	File: SV600857C_Wiring_SchDoc
Engineer: G. Ayala	Contact: <a href="http://www.ti.com/support">http://www.ti.com/support</a>

