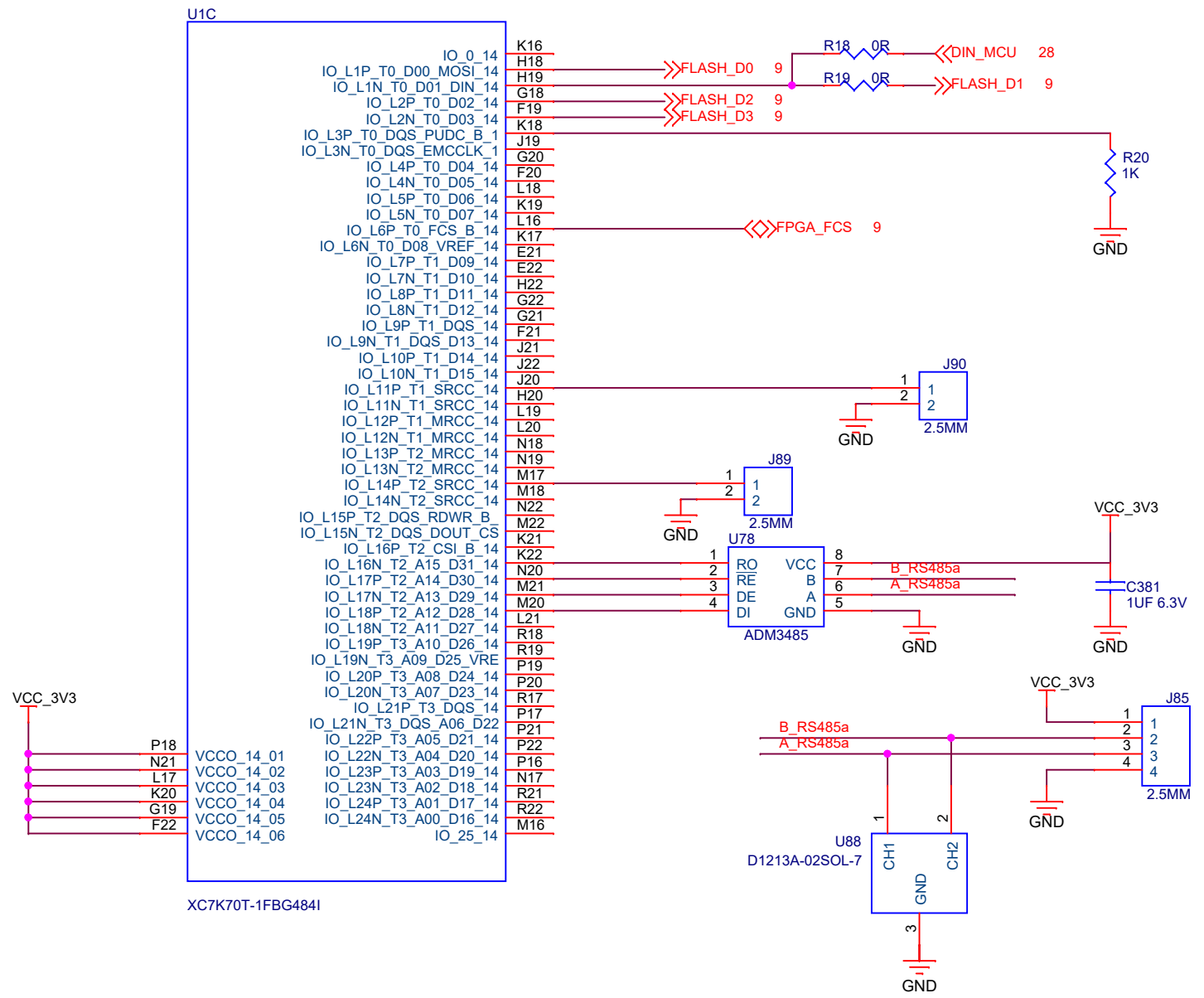
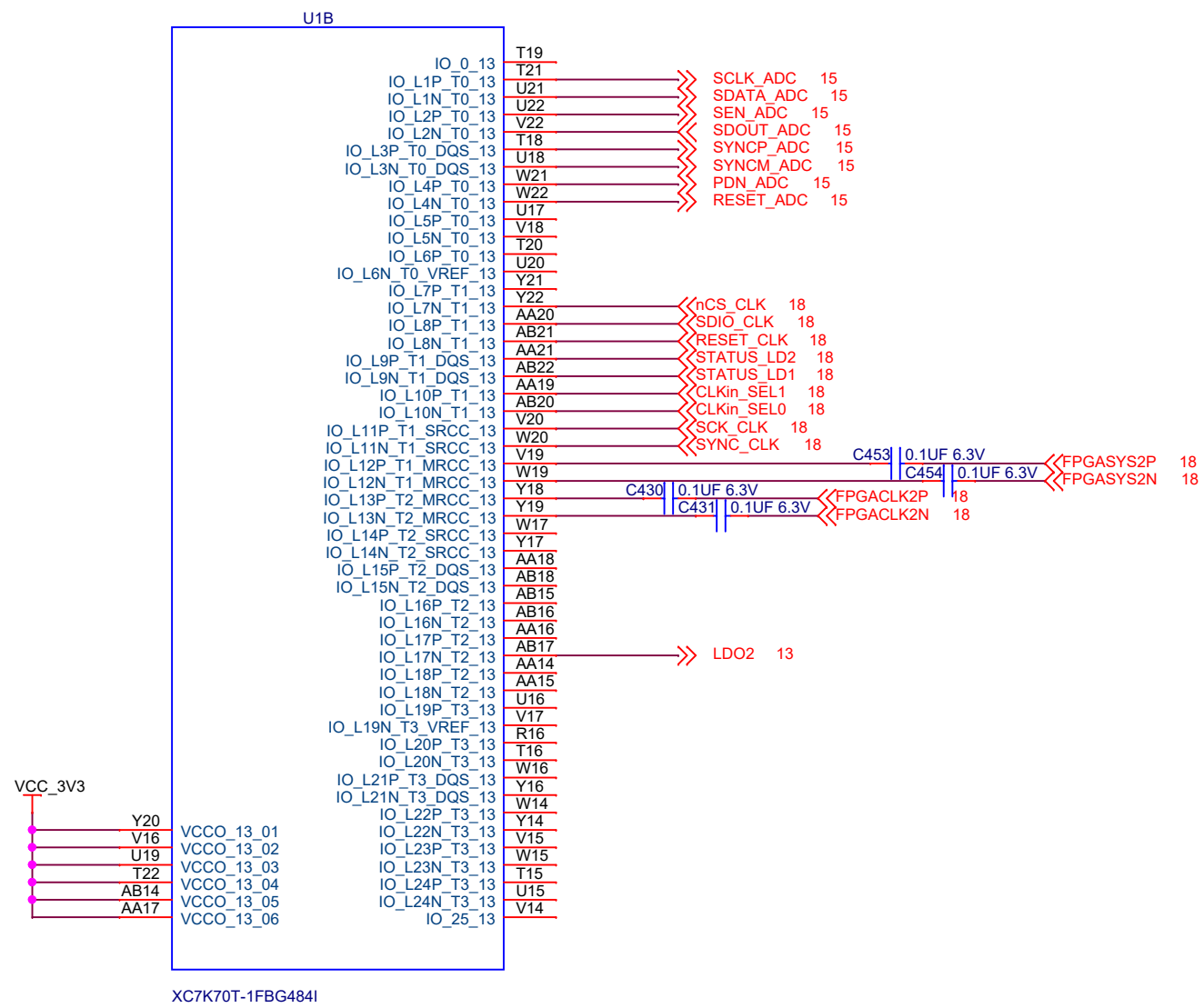
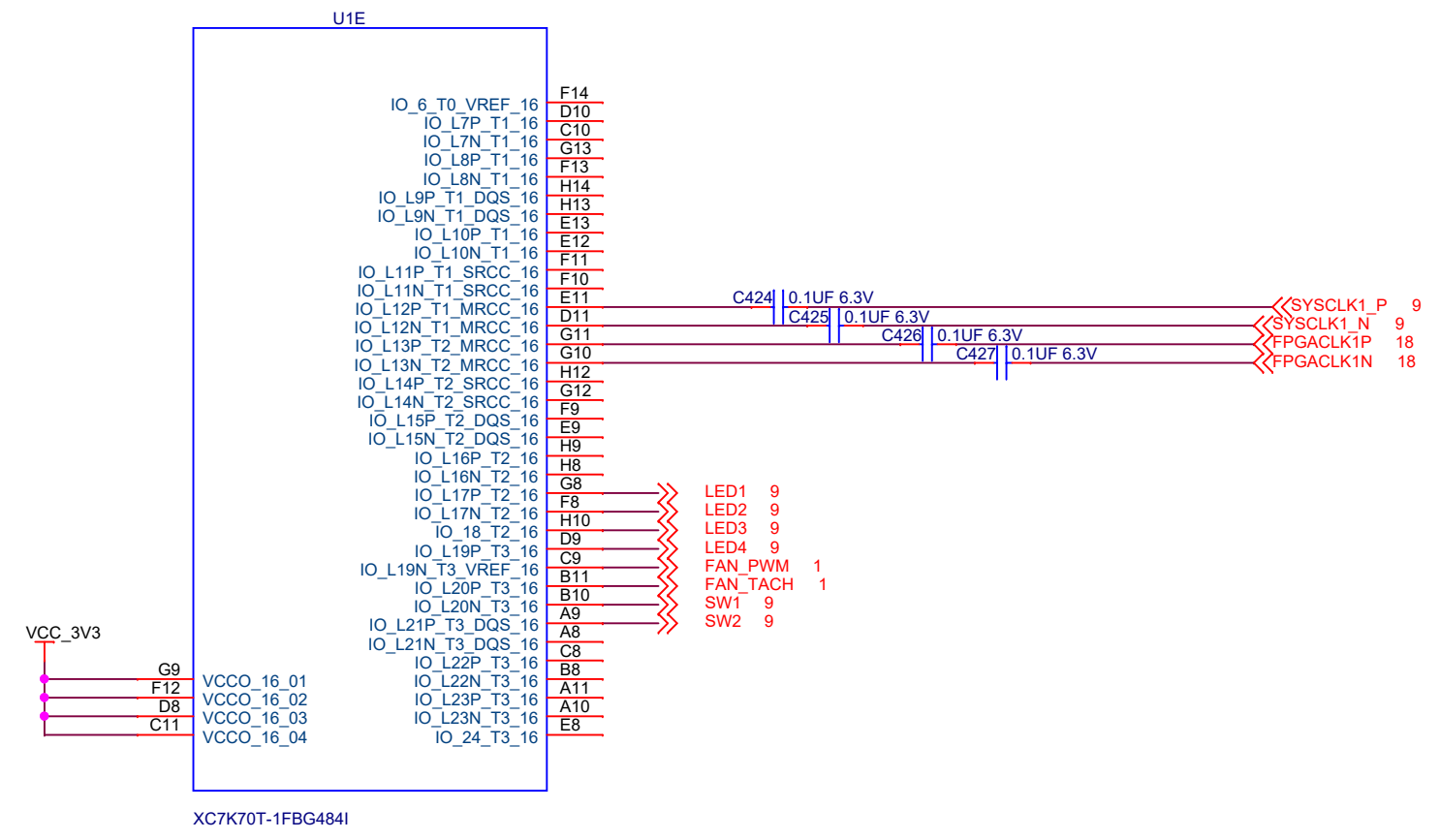
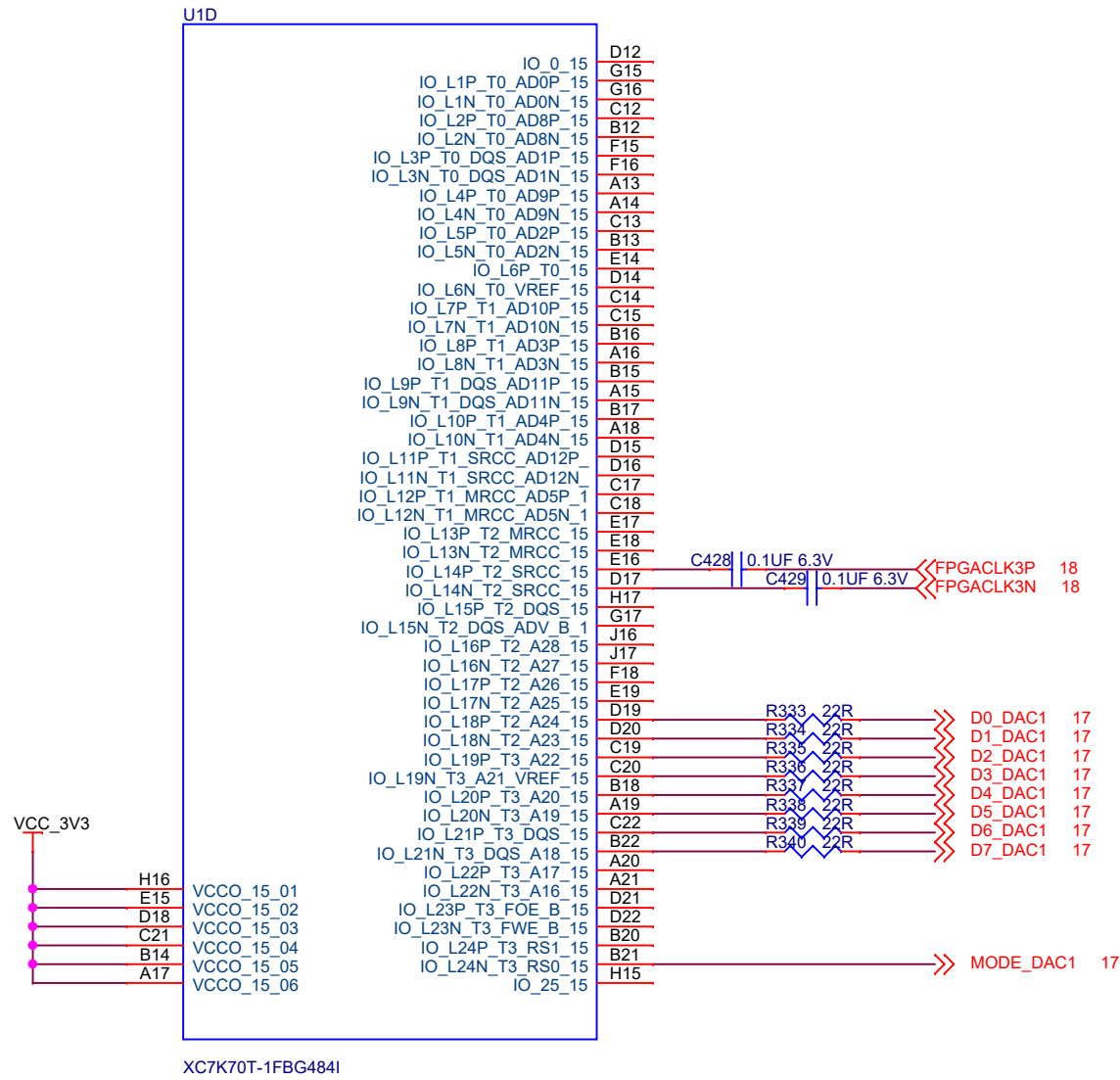
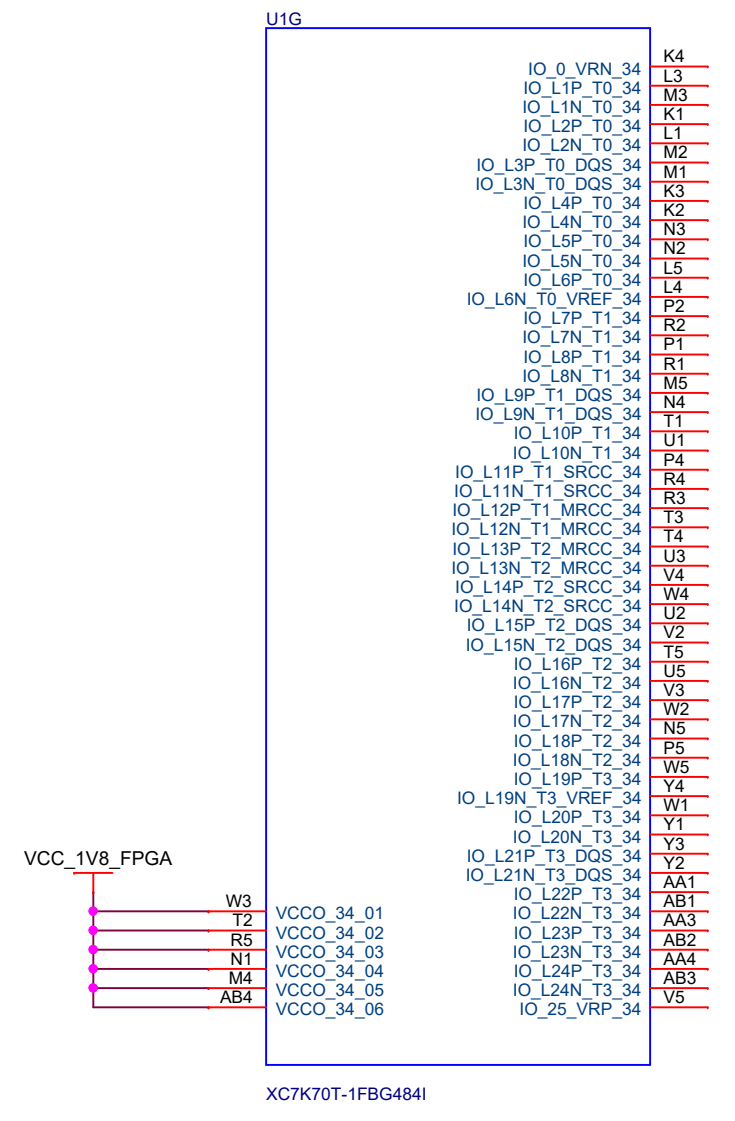
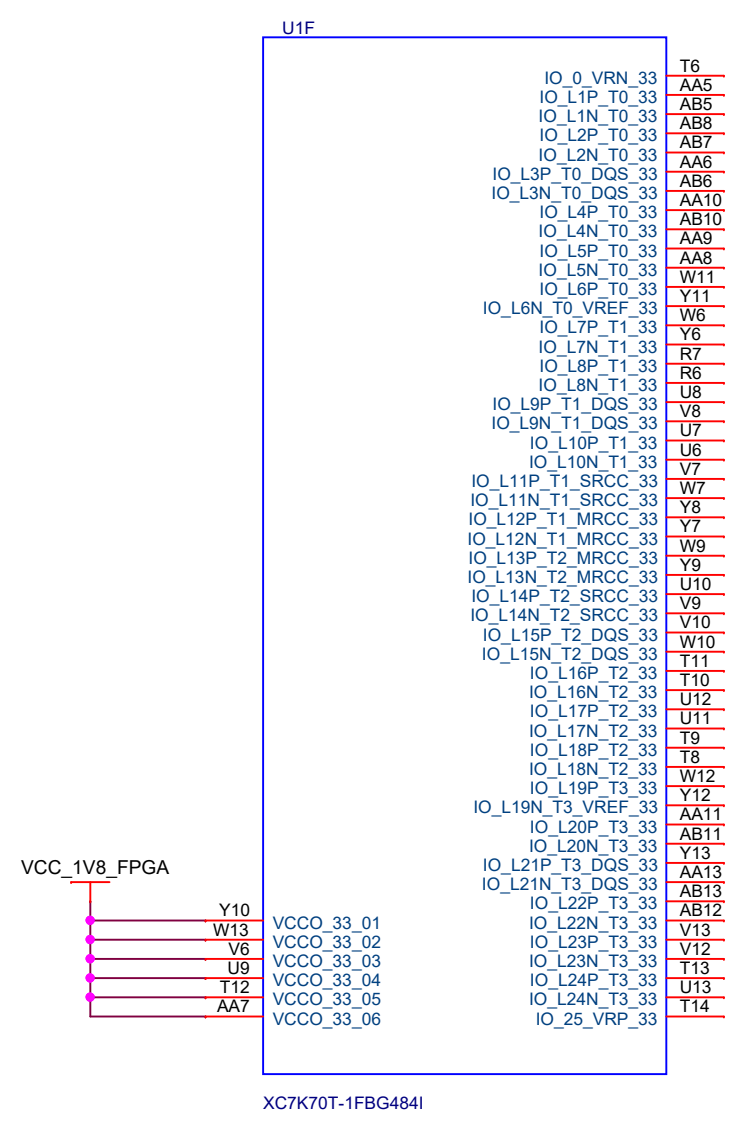


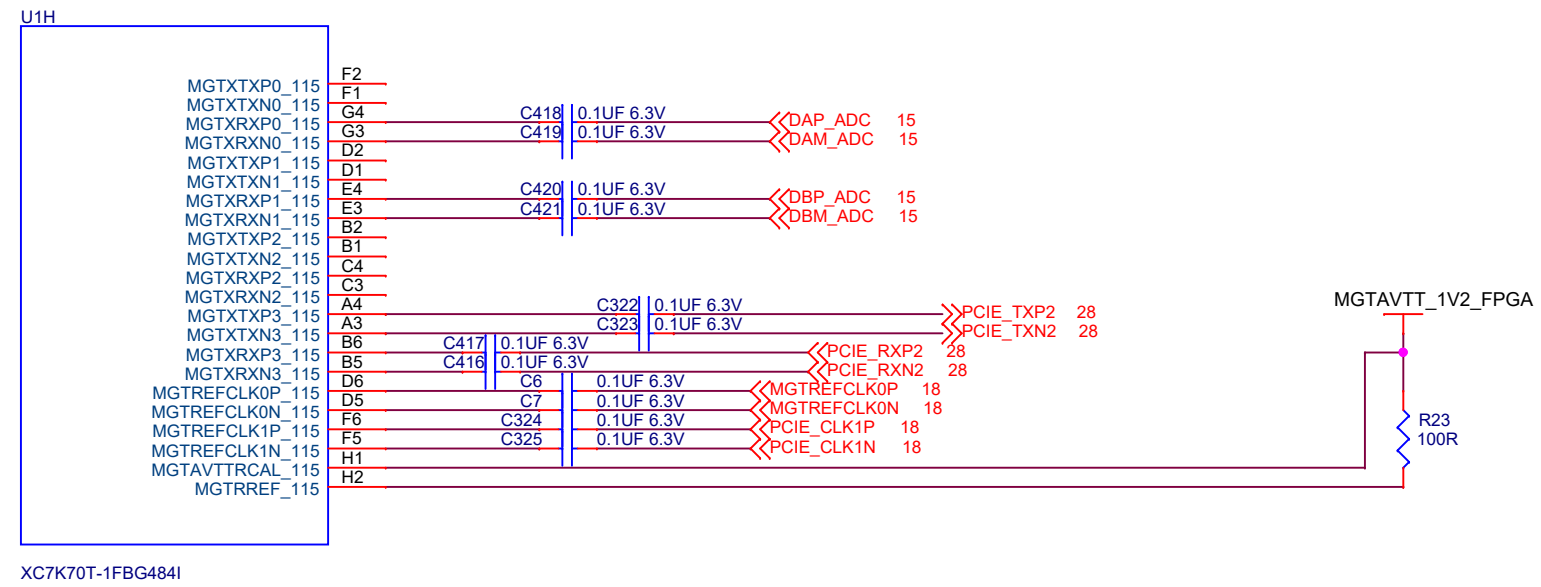
Title		
Fiber Sensing		
Size B	Document Number	Rev A
	SCH001-2022	
Date:	Sunday, January 15, 2023	Sheet 1 of 29



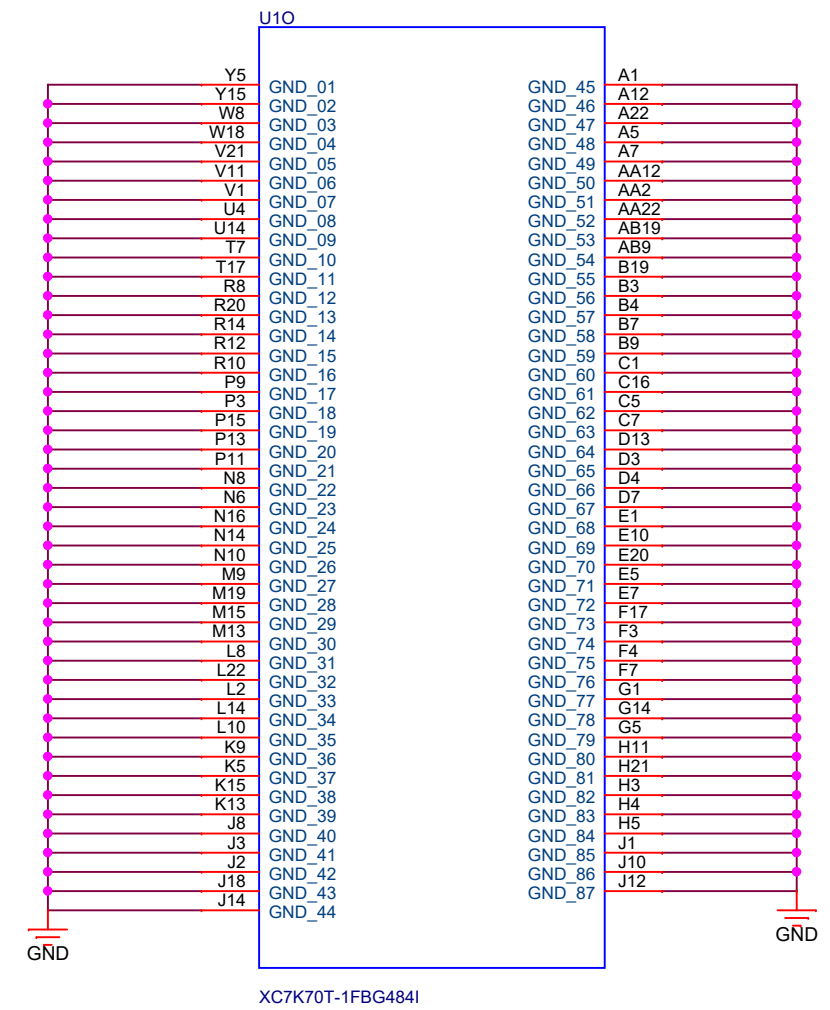
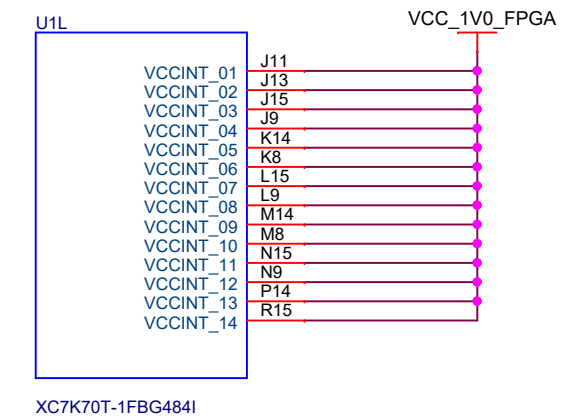
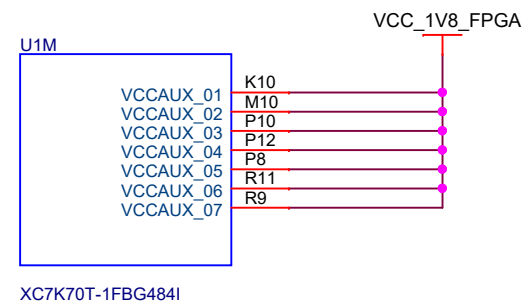
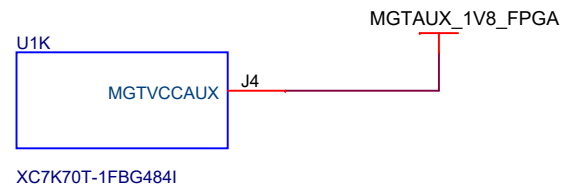
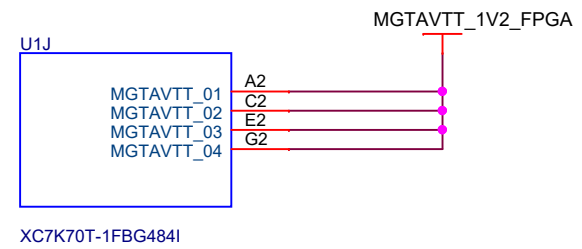
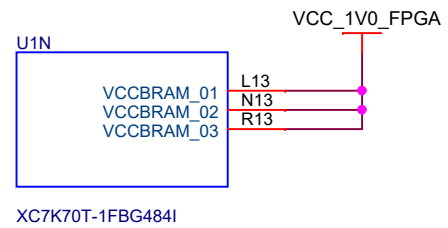
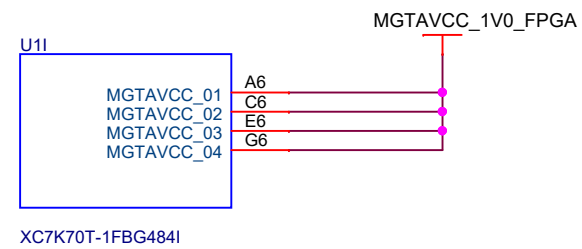
Title		
Fiber Sensing		
Size B	Document Number SCH001-2022	Rev A
Date:	Sunday, January 15, 2023	Sheet 2 of 29





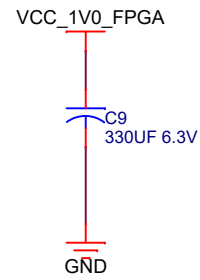


Title		
Fiber Sensing		
Size	Document Number	Rev
B	SCH001-2022	A
Date:	Sunday, January 15, 2023	Sheet 5 of 29

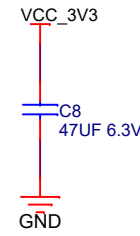


BYPASS CAPACITORS

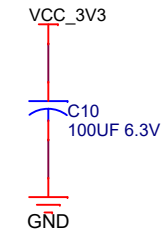
VCCINT 330uF (2)



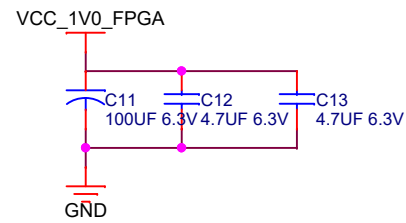
Bank 0 1.5V VCCO



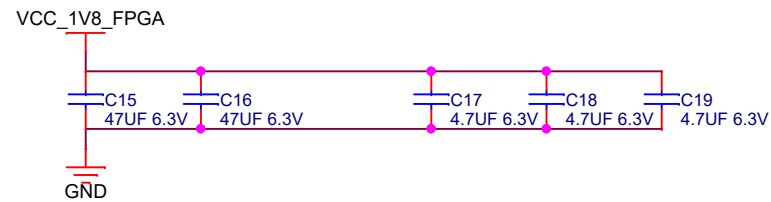
Bank 13/14/15 1.5V VCCO



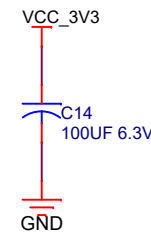
VCCBRAM 100uF (1), 4.7uF (3) 0402



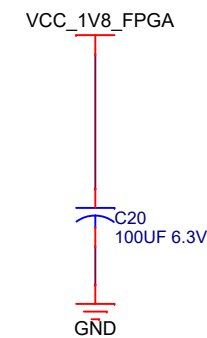
VCC_AUX 47uF



Banks 16 3.3V VCCO



Banks 33, 34 1.5V VCCO

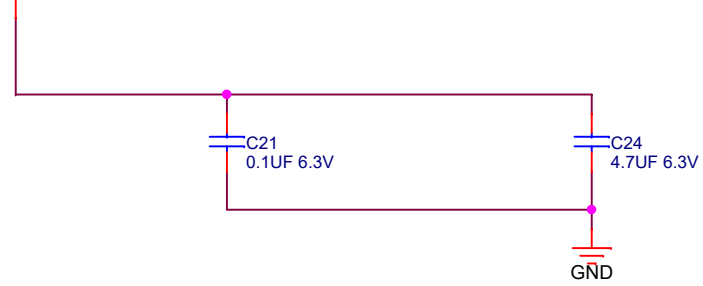


FPGA Bypass Capacitors

Title		
Fiber Sensing		
Size	Document Number	Rev
Custom	SCH001-2022	A
Date:	Sunday, January 15, 2023	Sheet 7 of 29

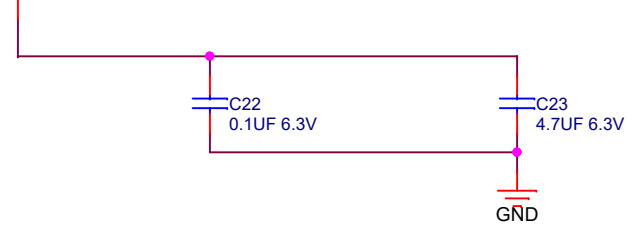
MGTAVCC

MGTAVCC_1V0_FPGA



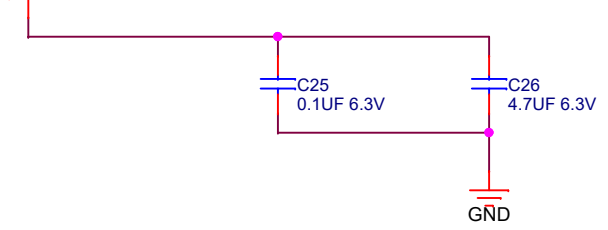
MGTAVTT

MGTAVTT_1V2_FPGA



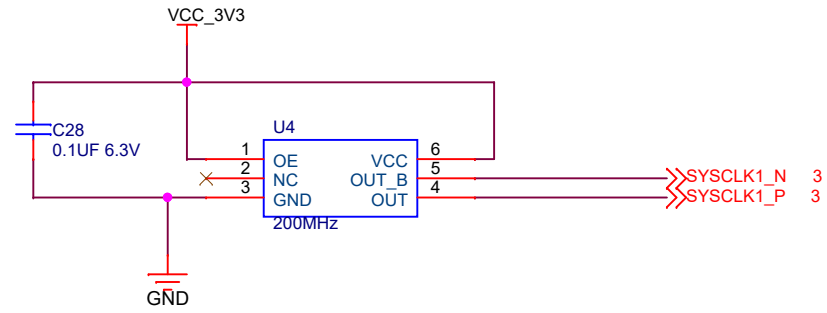
MGTAUX

MGTAUX_1V8_FPGA

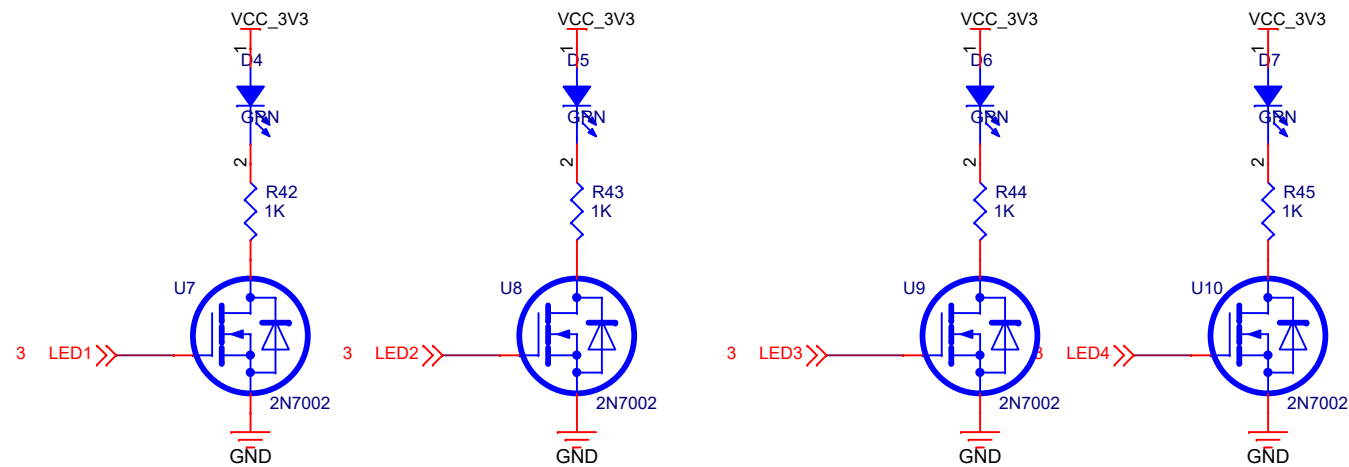
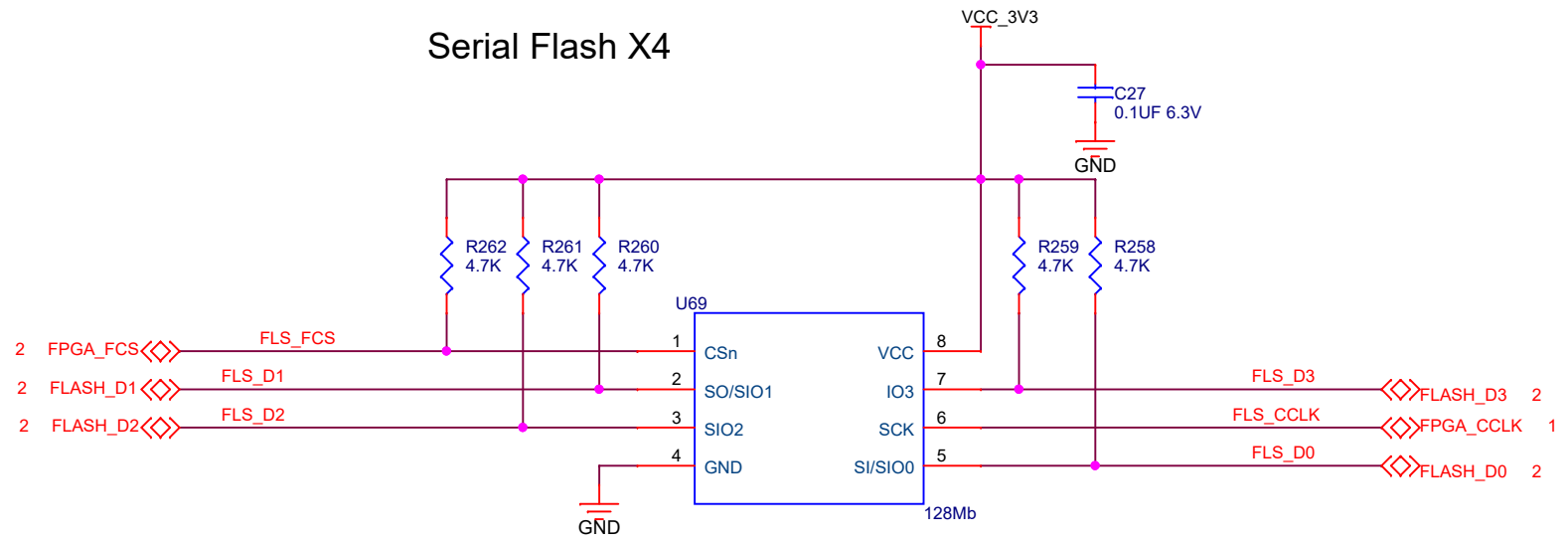


FPGA MGT Bypass Capacitors

Title		
Fiber Sensing		
Size	Document Number	Rev
Custom	SCH001-2022	A
Date:	Sunday, January 15, 2023	Sheet 8 of 29

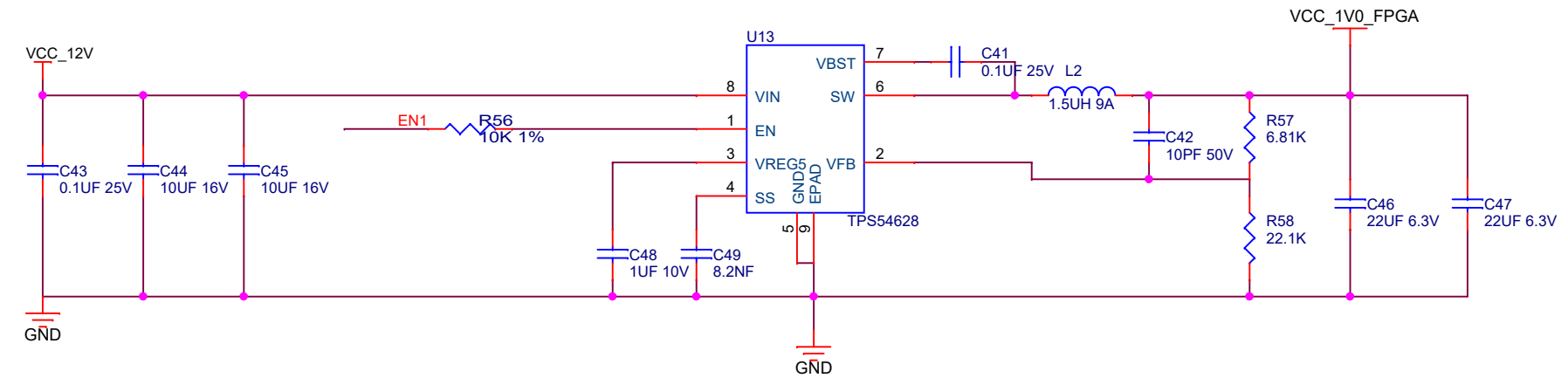
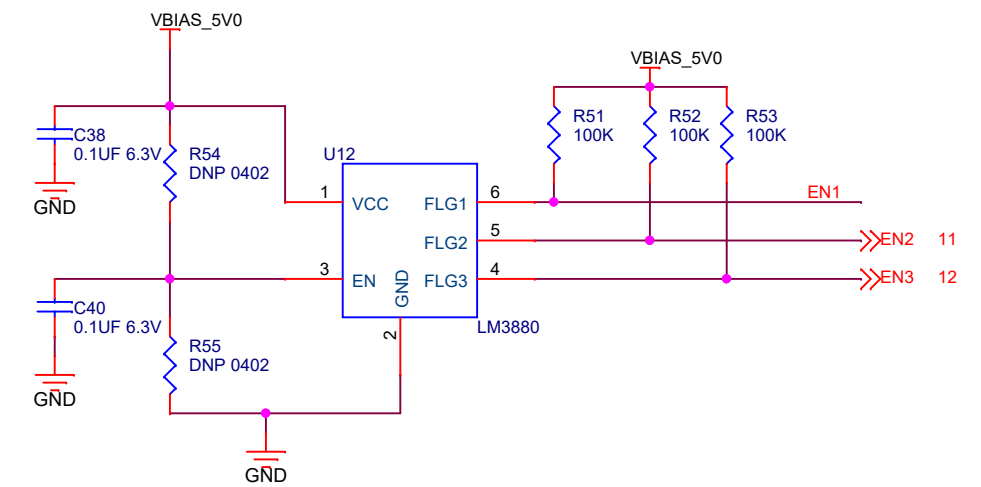
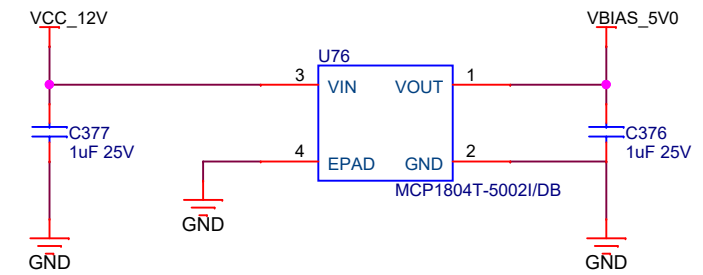
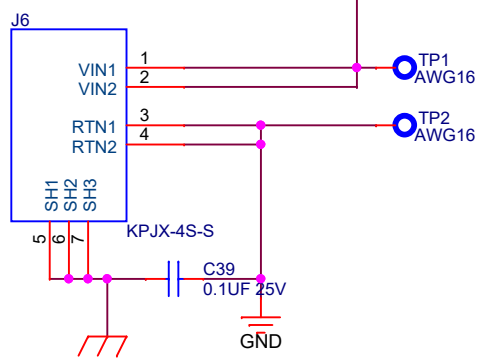
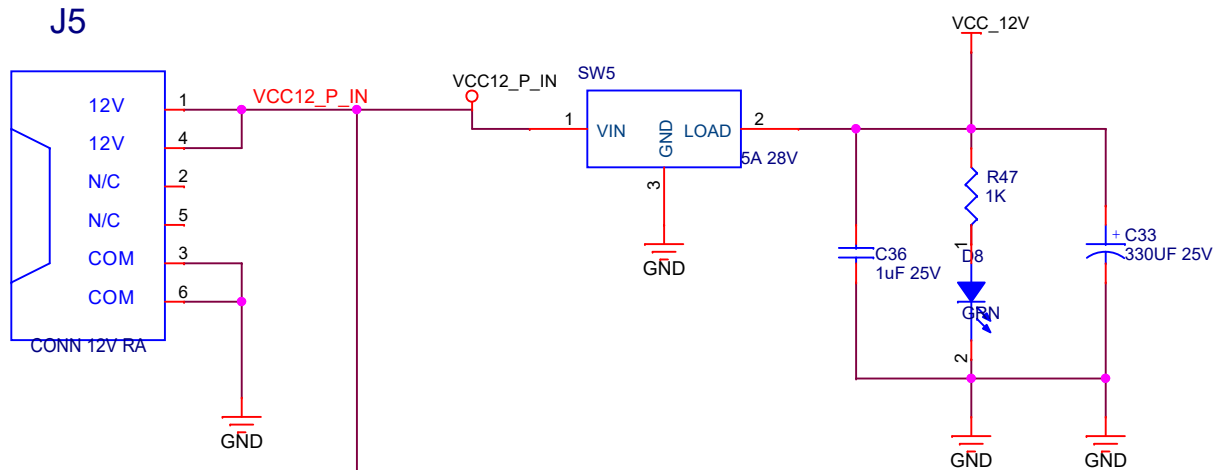


Serial Flash X4

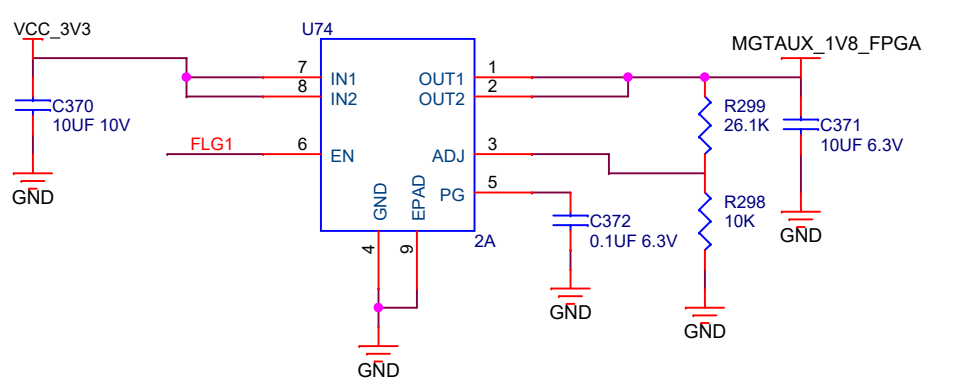
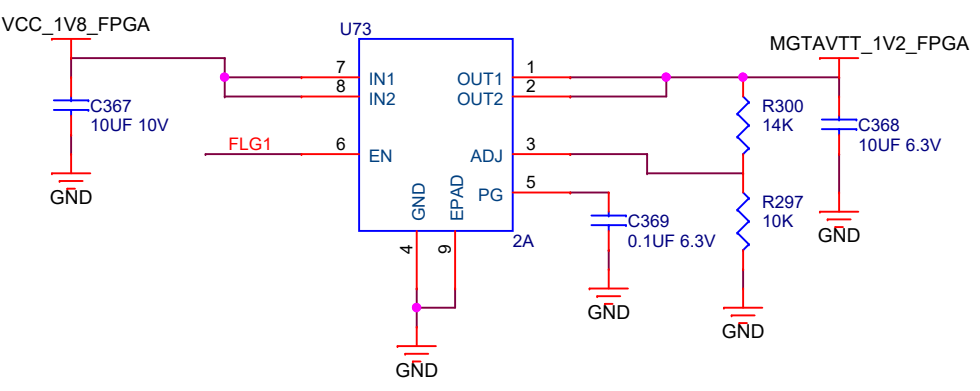
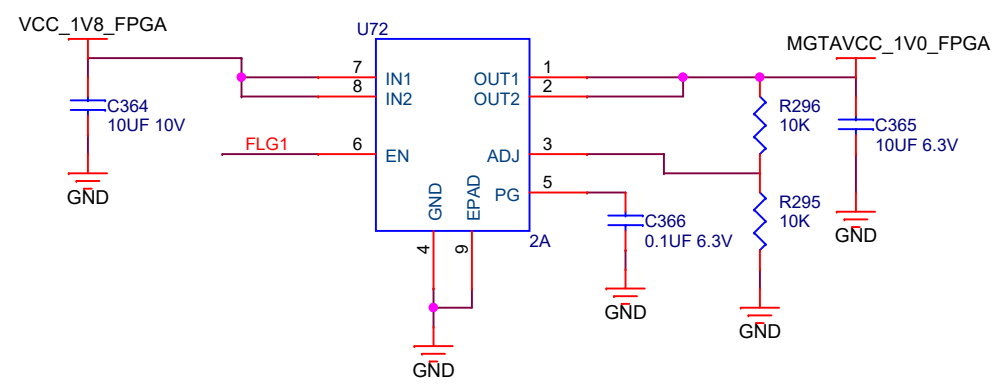
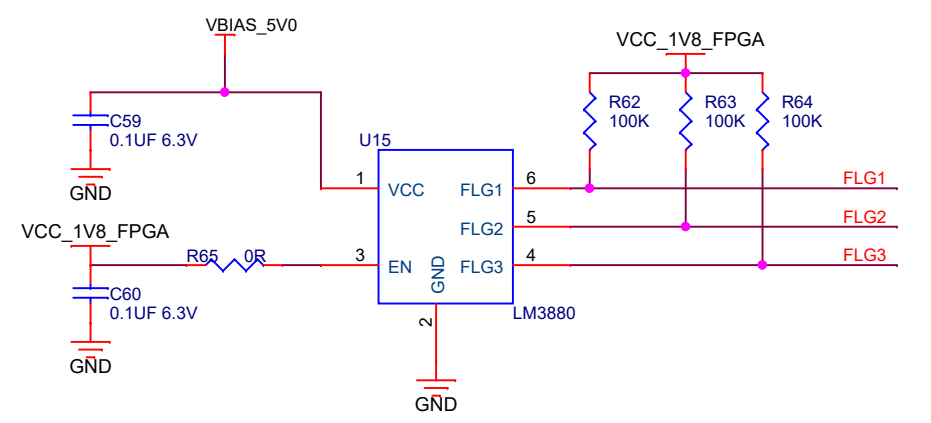
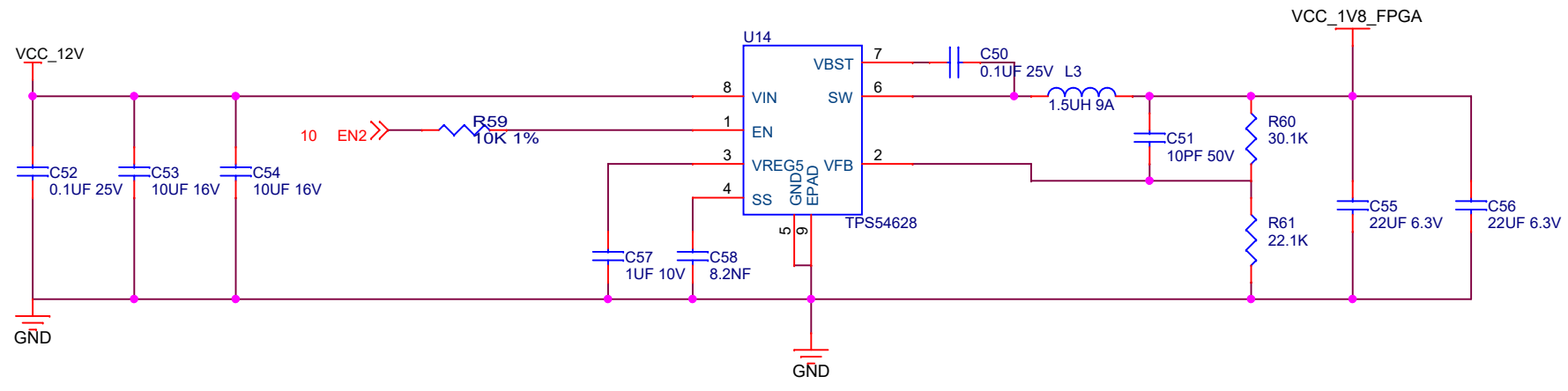


FPGA JTAG, Clock, Flash, Buttons

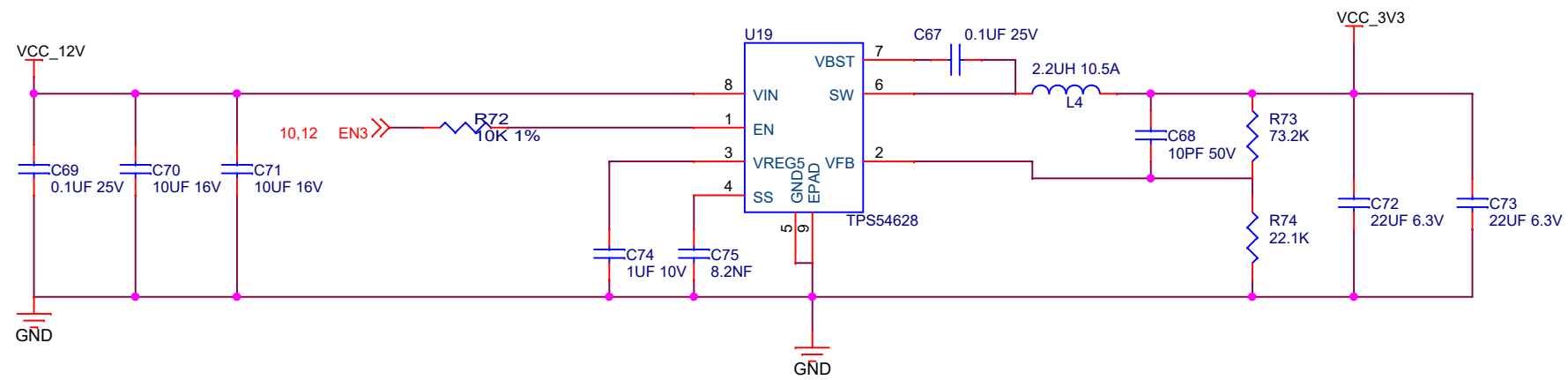
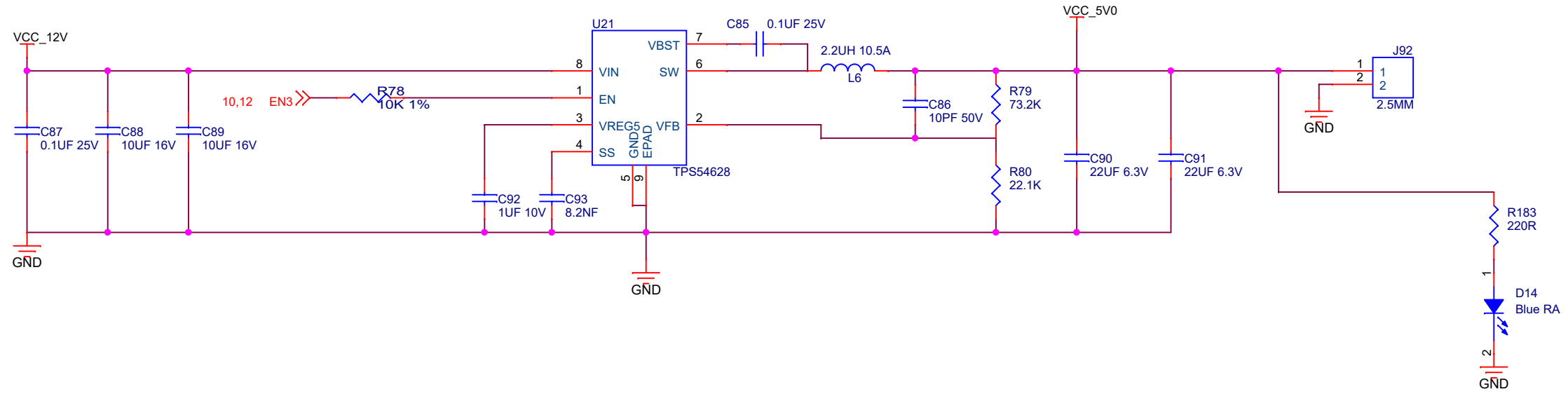
Title Fiber Sensing		
Document Number SCH001-2022		Rev A
Date: Sunday, January 15, 2023	Sheet 9 of 29	



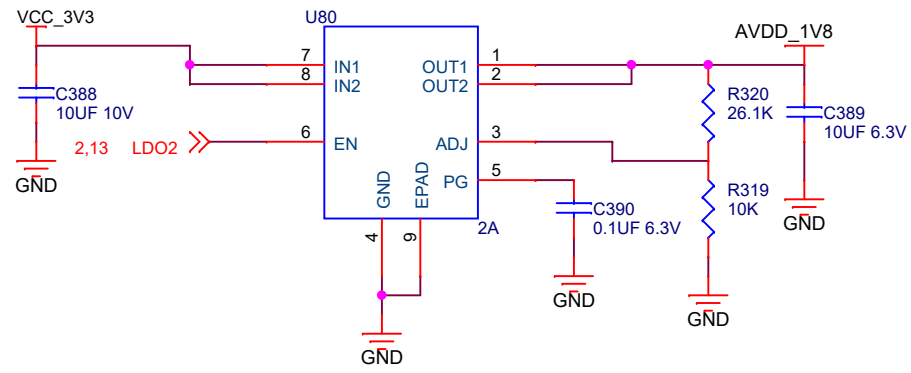
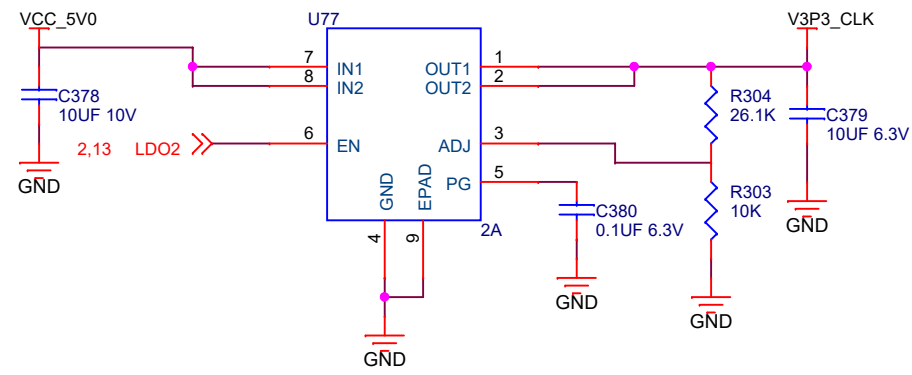
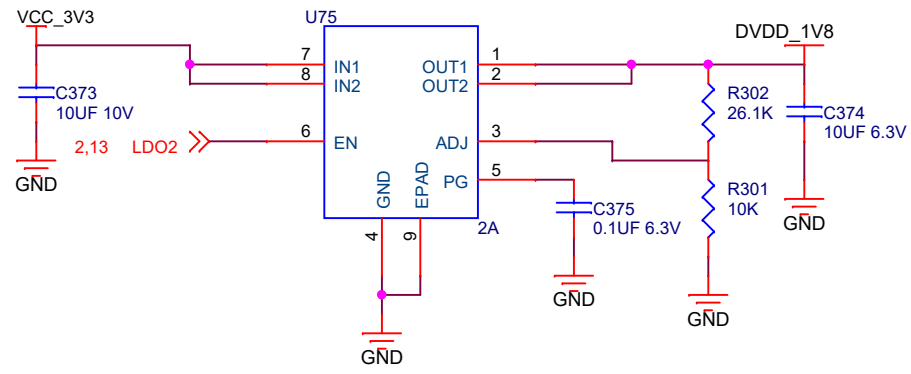
Title		
Fiber Sensing		
Size B	Document Number	Rev A
	SCH001-2022	
Date:	Sunday, January 15, 2023	Sheet 10 of 29



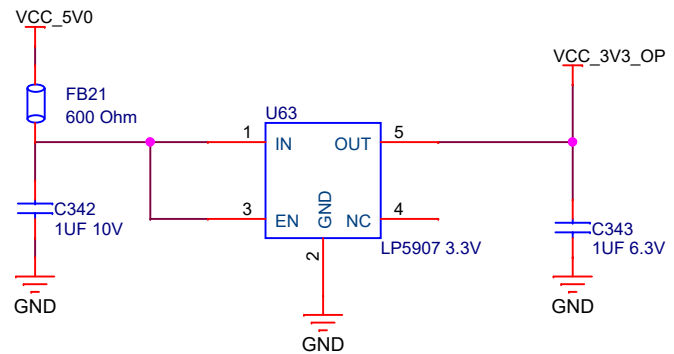
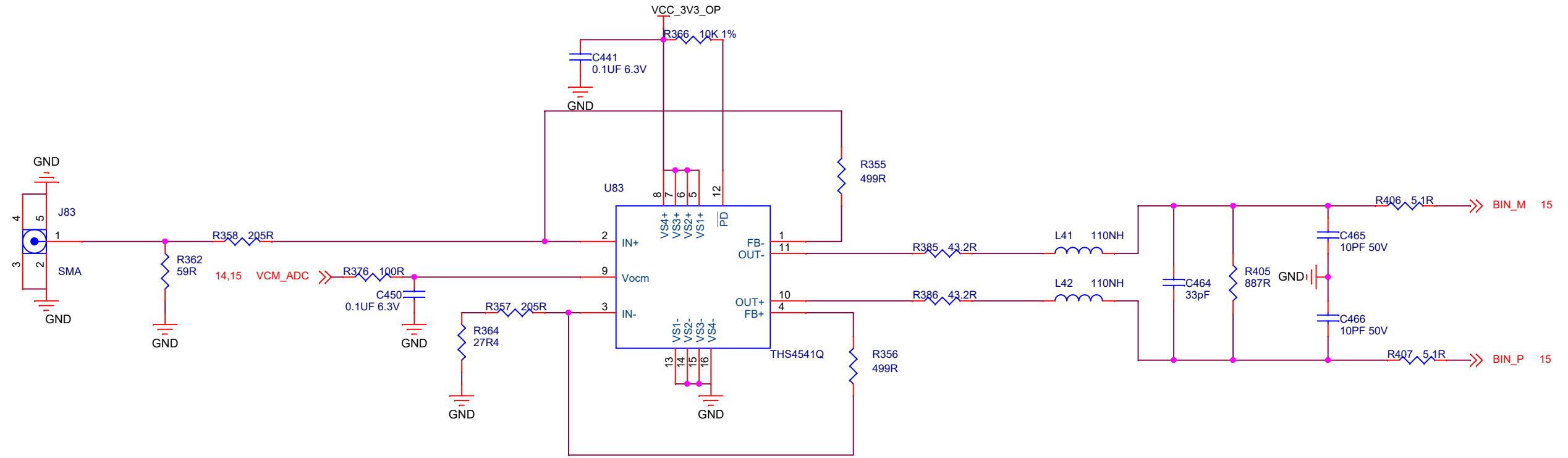
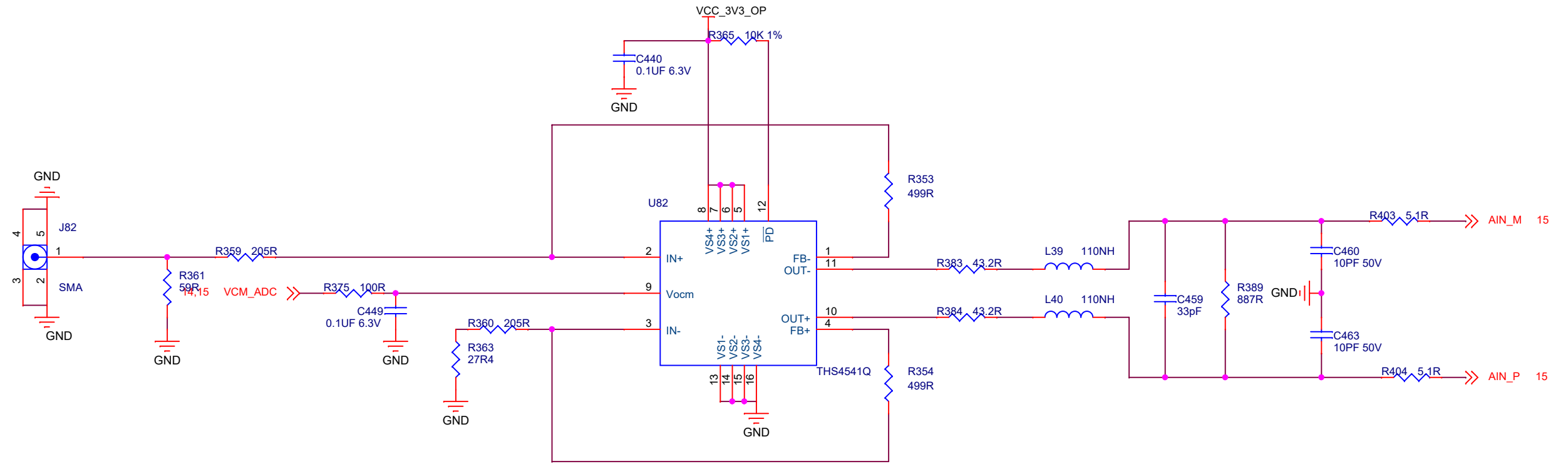
Title		
Fiber Sensing		
Size B	Document Number SCH001-2022	Rev A
Date:	Sunday, January 15, 2023	Sheet 11 of 29



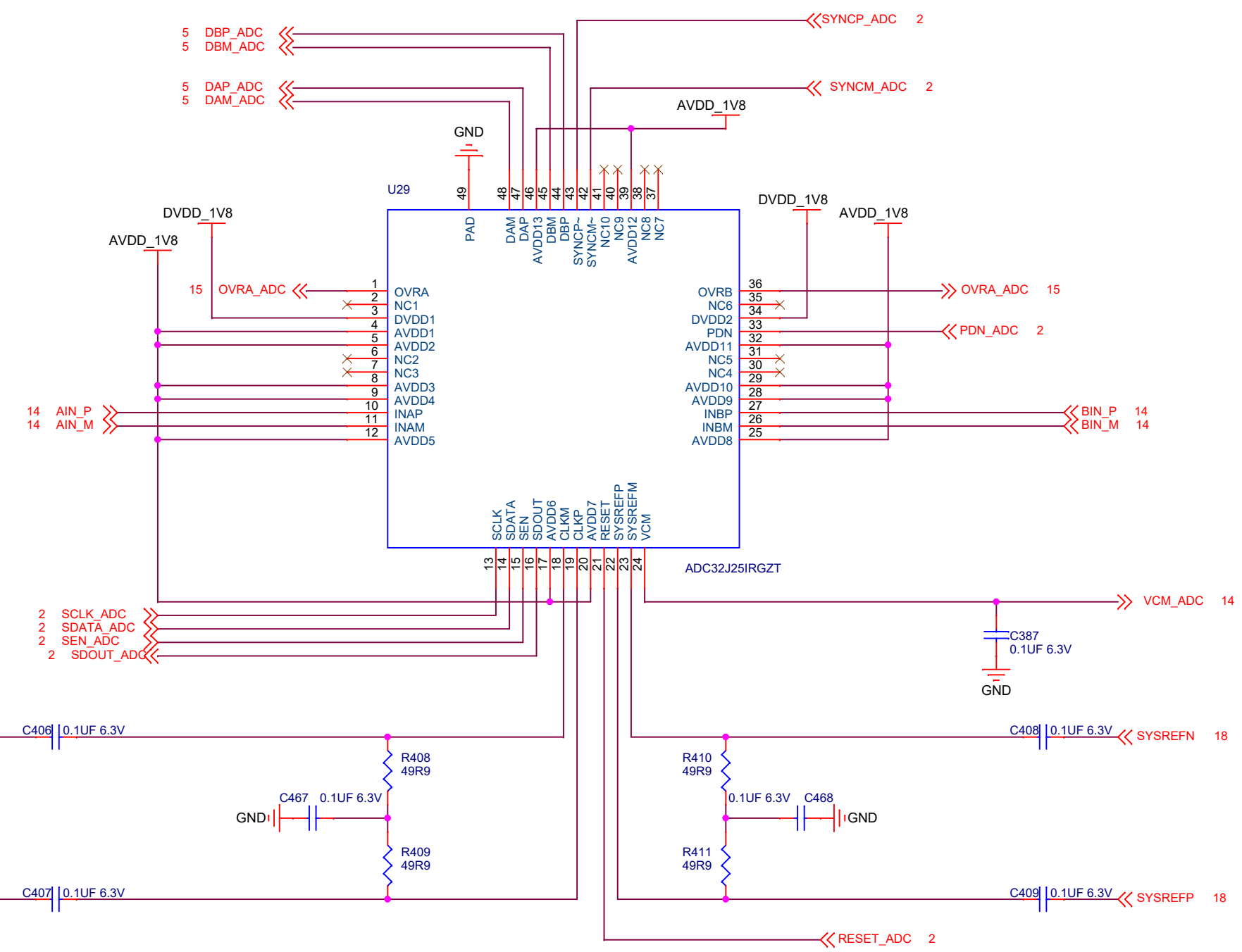
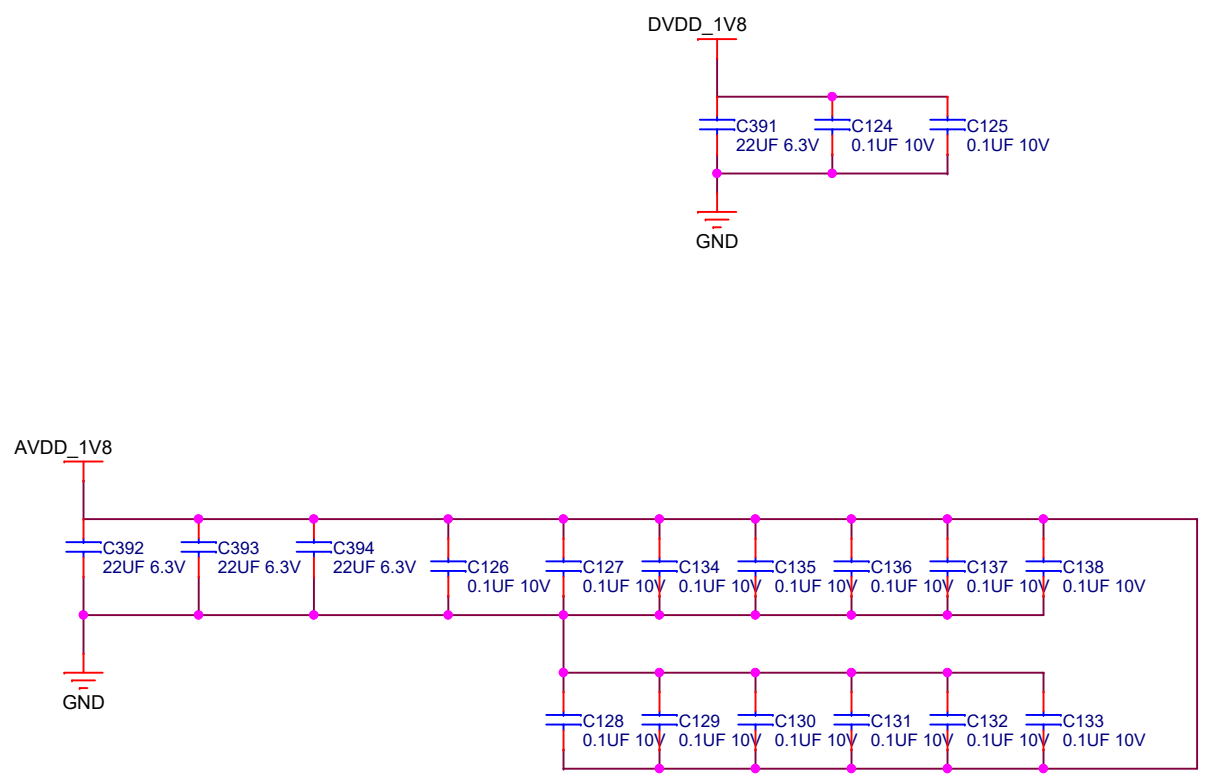
Title		
Fiber Sensing		
Size B	Document Number SCH001-2022	Rev A
Date:	Sunday, January 15, 2023	Sheet 12 of 29



Title		
Fiber Sensing		
Size B	Document Number SCH001-2022	Rev A
Date:	Sunday, January 15, 2023	Sheet 13 of 29



Title		
Fiber Sensing		
Size	Document Number	Rev
Custom	SCH001-2022	A
Date:	Sunday, January 15, 2023	Sheet 14 of 29



Title		
Fiber Sensing		
Size	Document Number	Rev
Custom	SCH001-2022	A
Date:	Sunday, January 15, 2023	Sheet 15 of 29

5

4

3

2

1

D

D

C

C

B

B

A

A



Title		
Fiber Sensing		
Size	Document Number	Rev
A	SCH001-2022	<RevCode>
Date:	Sunday, January 15, 2023	Sheet 16 of 29

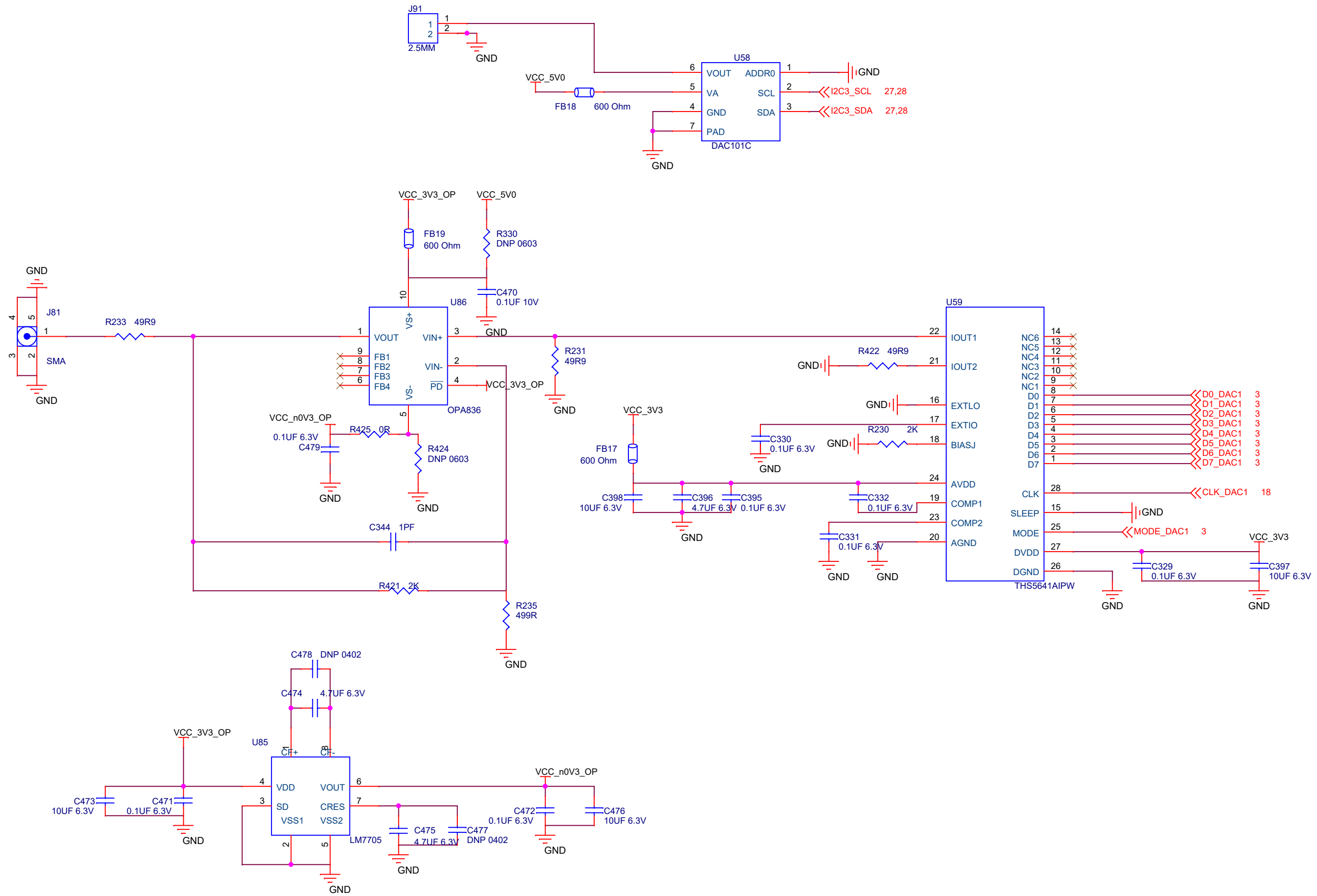
5

4

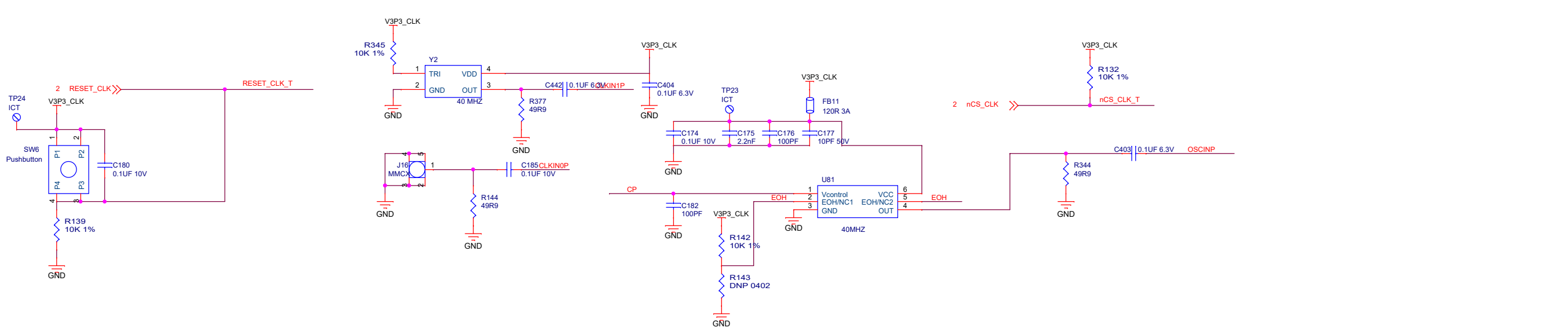
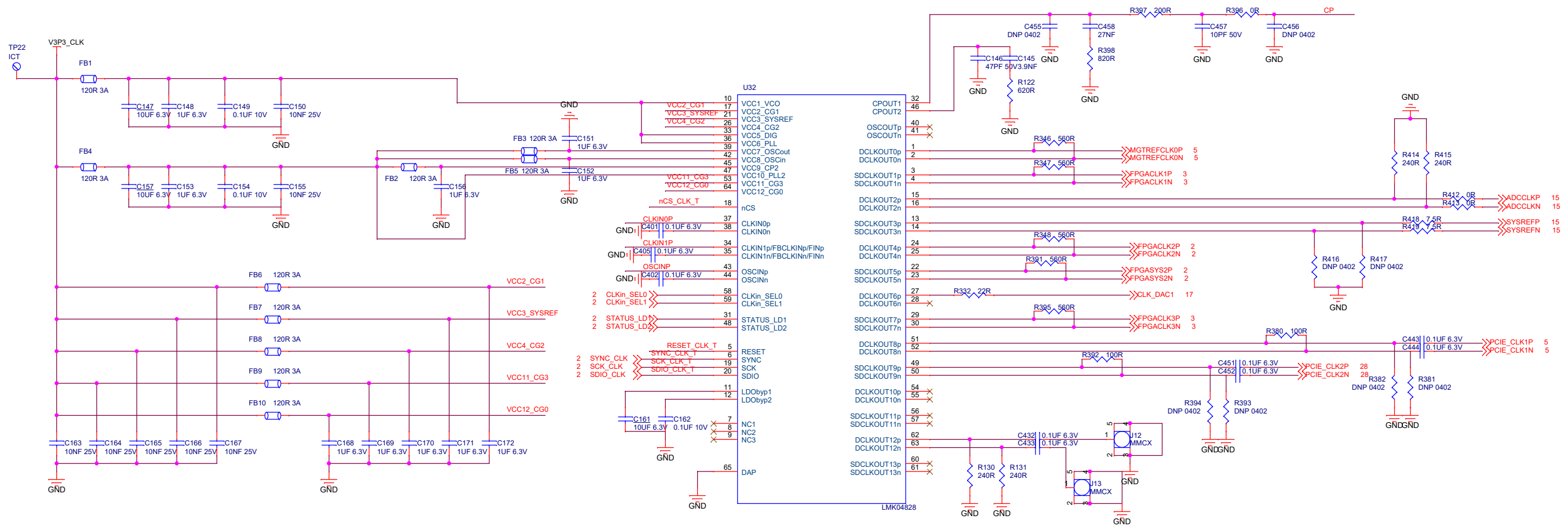
3

2

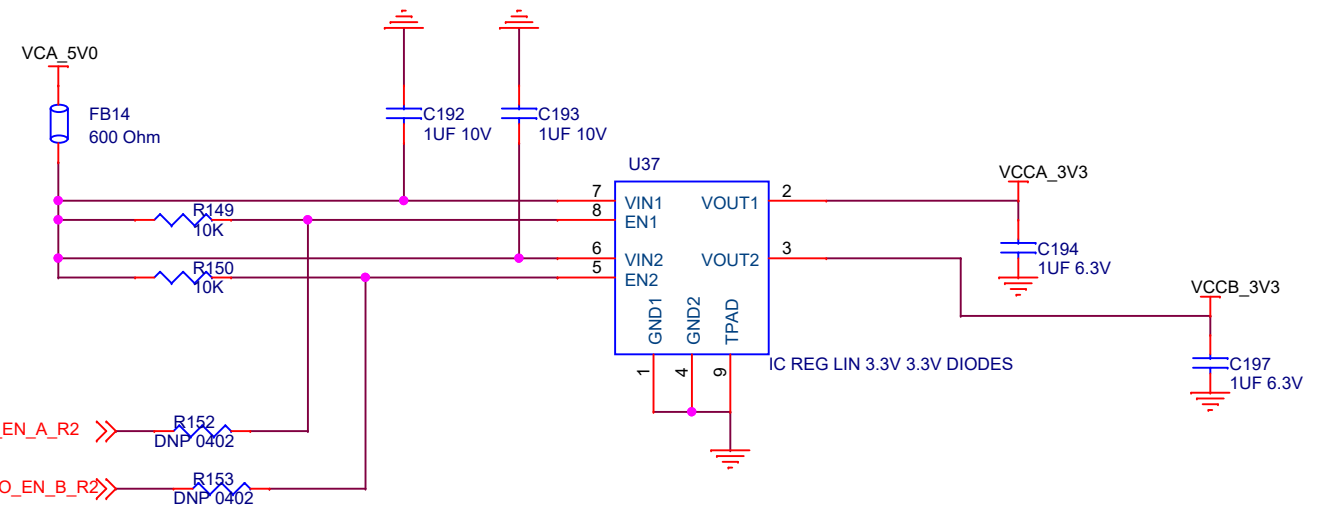
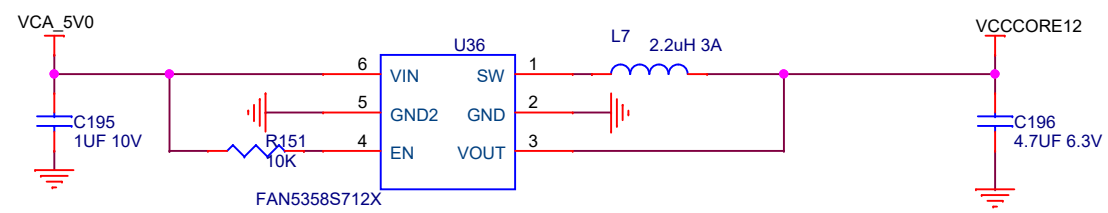
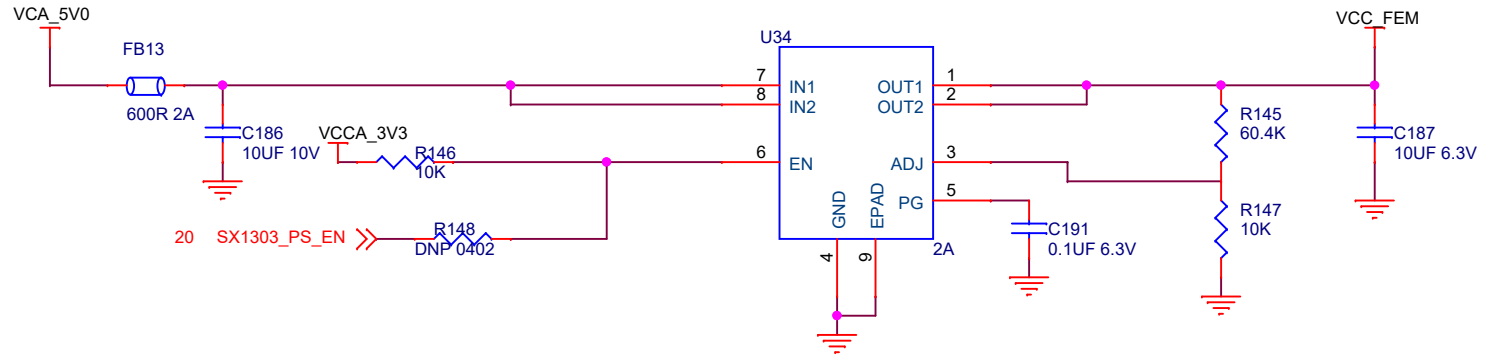
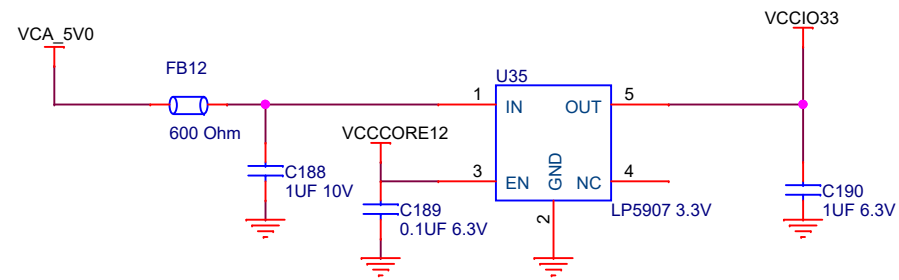
1



Title		
Fiber Sensing		
Size	Document Number	Rev
Custom	SCH001-2022	A
Date:	Sunday, January 15, 2023	Sheet 17 of 29

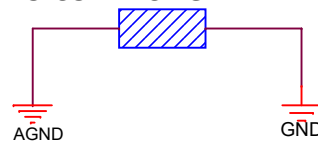
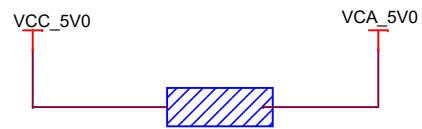


Title		
Fiber Sensing		
Size	Document Number	Rev
C	SCH001-2022	A
Date:	Sunday, January 15, 2023	Sheet 18 of 29



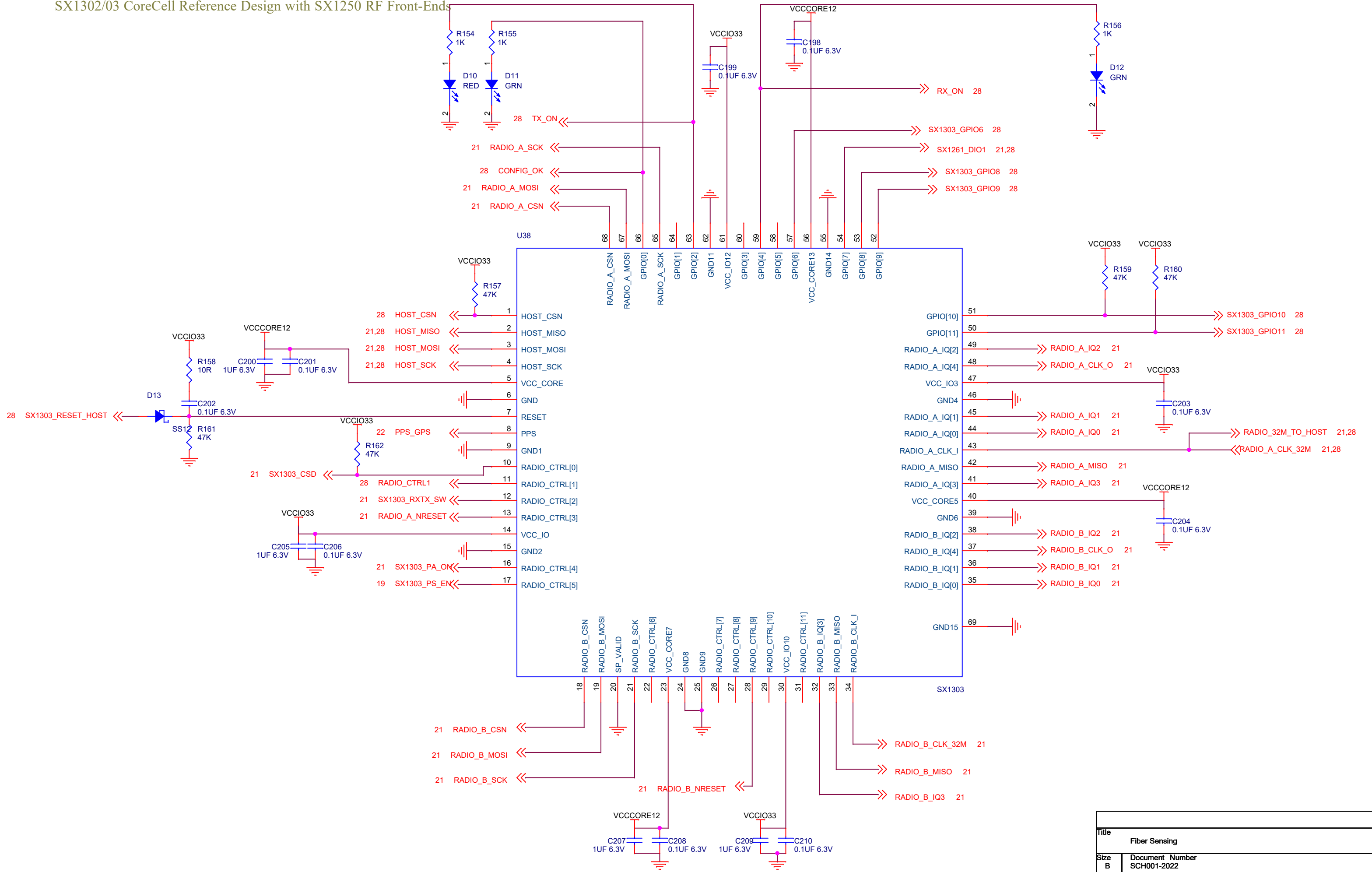
**HOW TO CONNECT gnd TO AGND2?
VIA STICHING?
CONNECT POWER PLANE?**

FORCE TO CONNECT GND AND AGND2



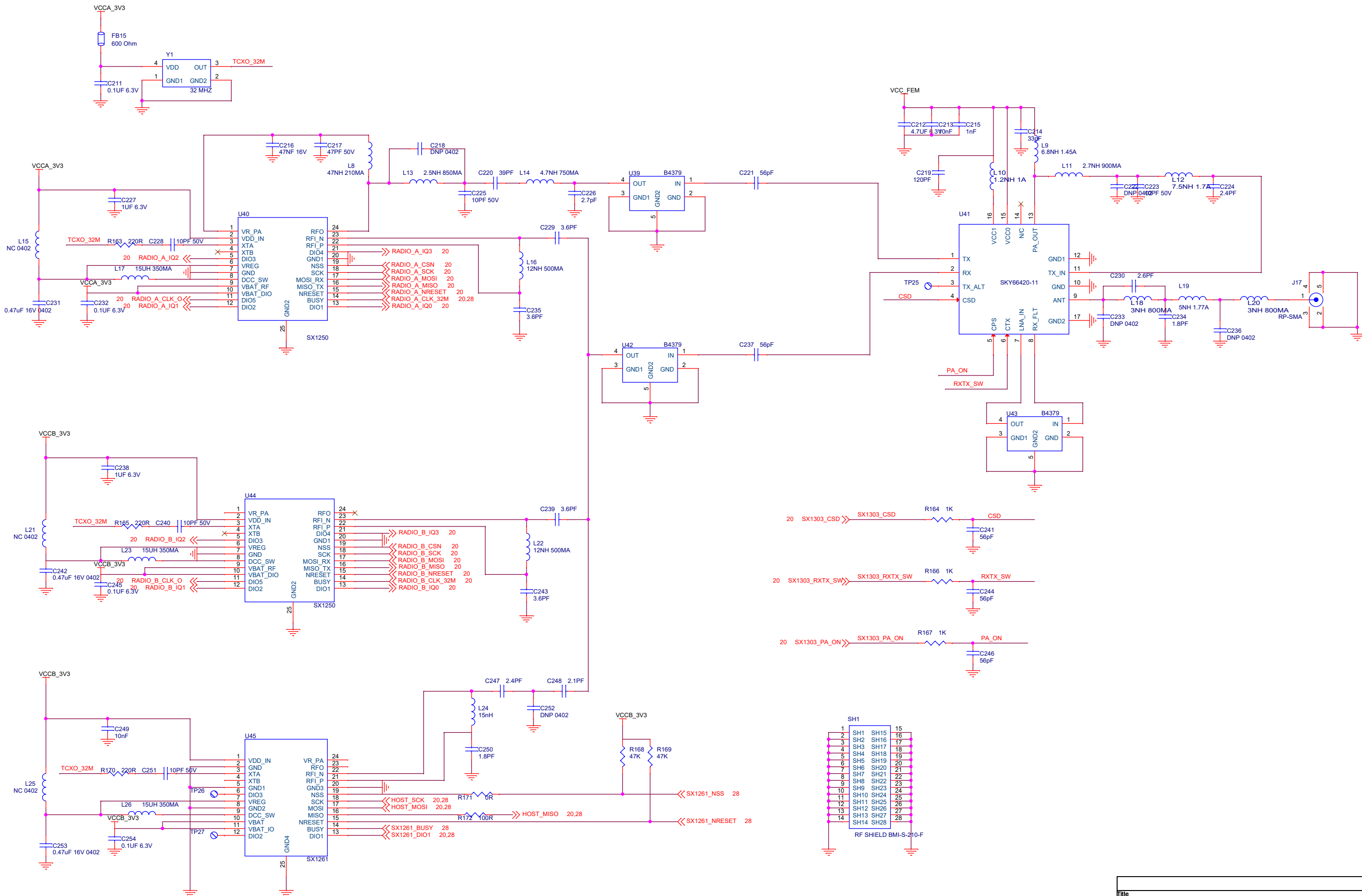
Title		
Fiber Sensing		
Size B	Document Number SCH001-2022	Rev A
Date:	Sunday, January 15, 2023	Sheet 19 of 29

SX1302/03 CoreCell Reference Design with SX1250 RF Front-Ends

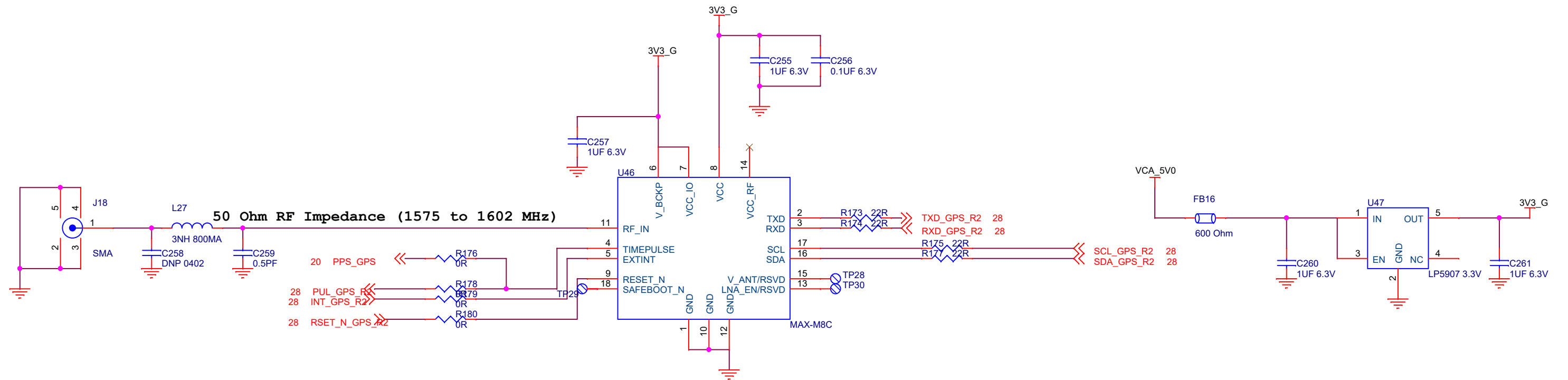


Title		
Fiber Sensing		
Size B	Document Number	Rev A
	SCH001-2022	
Date:	Sunday, January 15, 2023	Sheet 20 of 29

SX130x CoreCell Reference Design - RF Part with 2x SX1250 RF Front-Ends:



Title		Fiber Sensing	
Size	Document Number	Rev	
C	SCH001-2022	A	
Date:	Sunday, January 15, 2023	Sheet	21 of 29



Title		
Fiber Sensing		
Size	Document Number	Rev
Custom	SCH001-2022	<Rev C
Date:	Sunday, January 15, 2023	Sheet 22 of 29

5

4

3

2

1

D

D

C

C

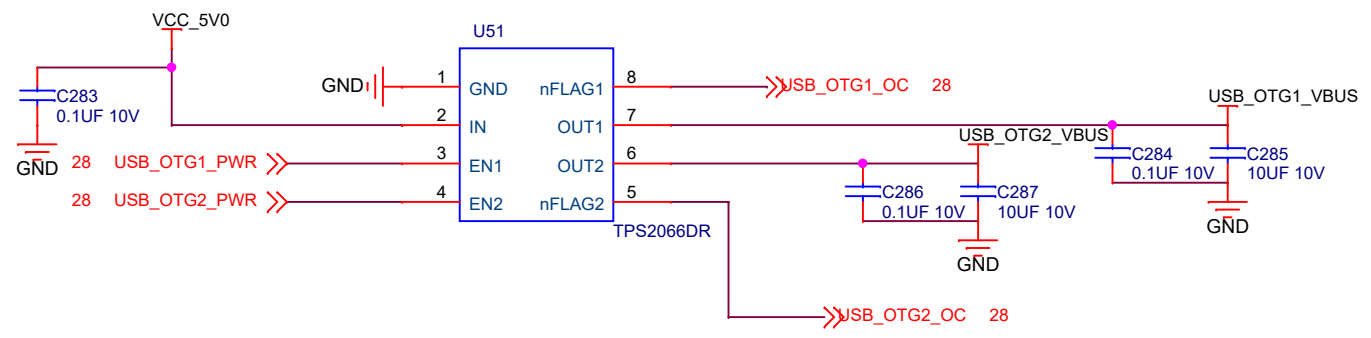
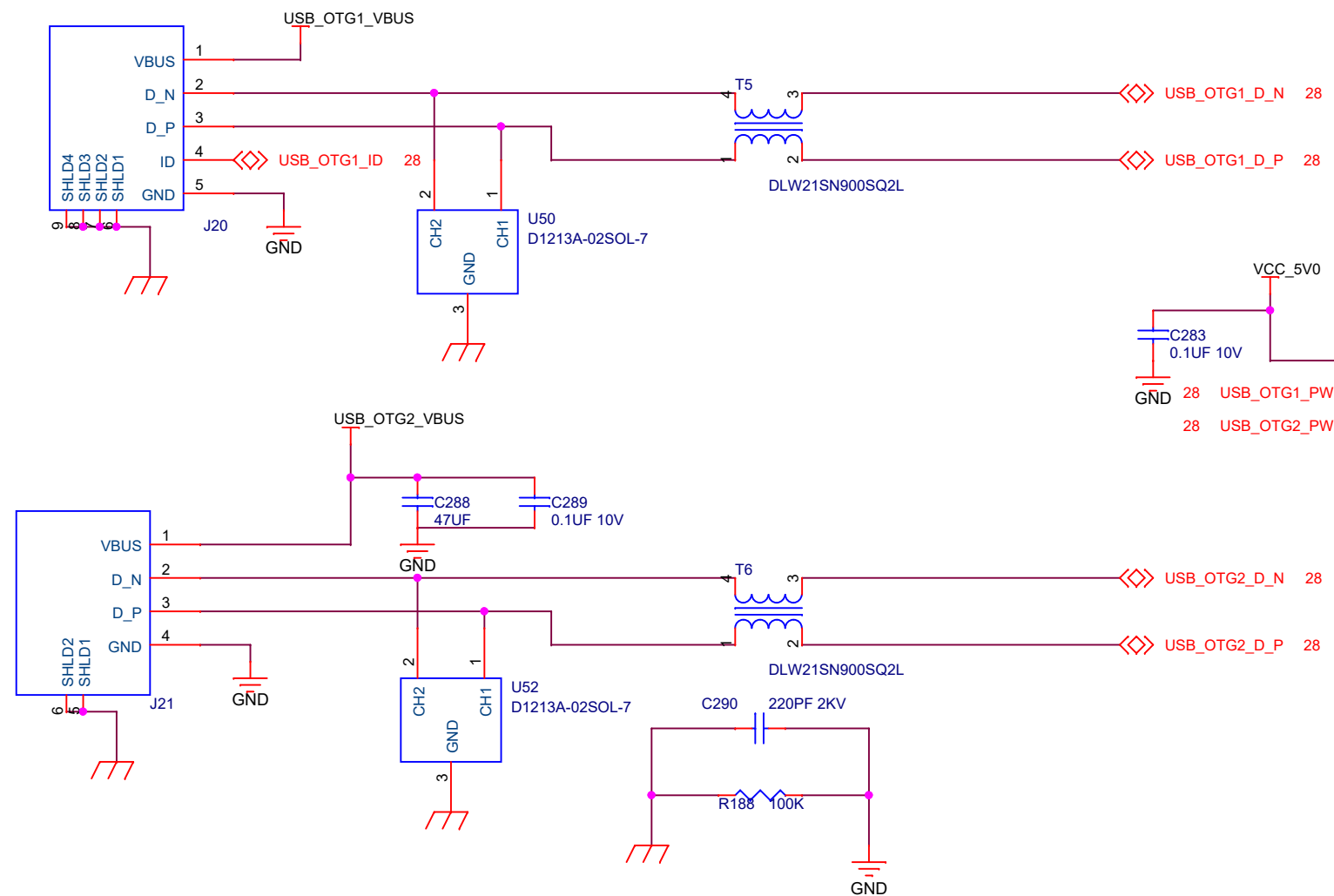
B

B

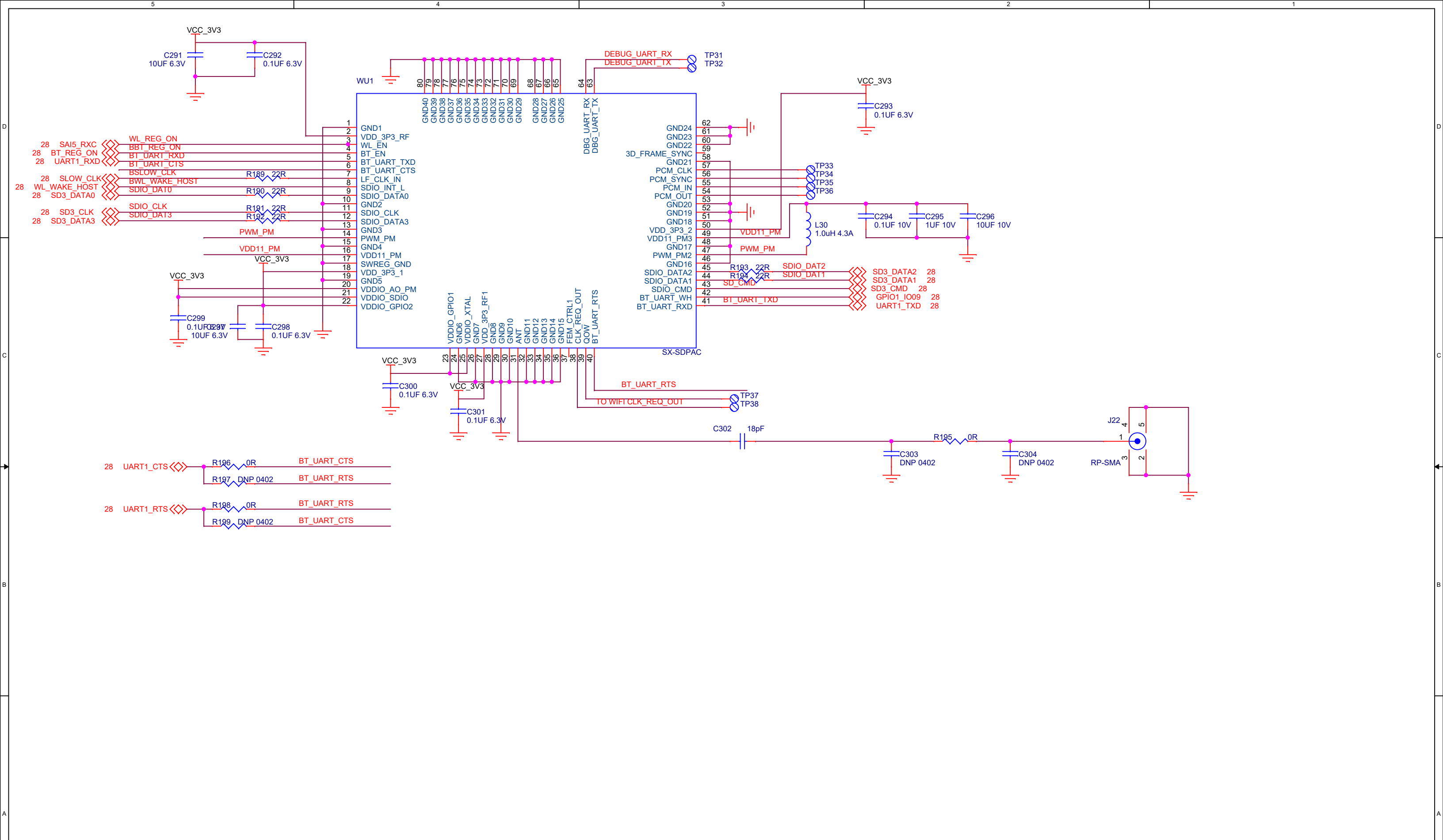
A

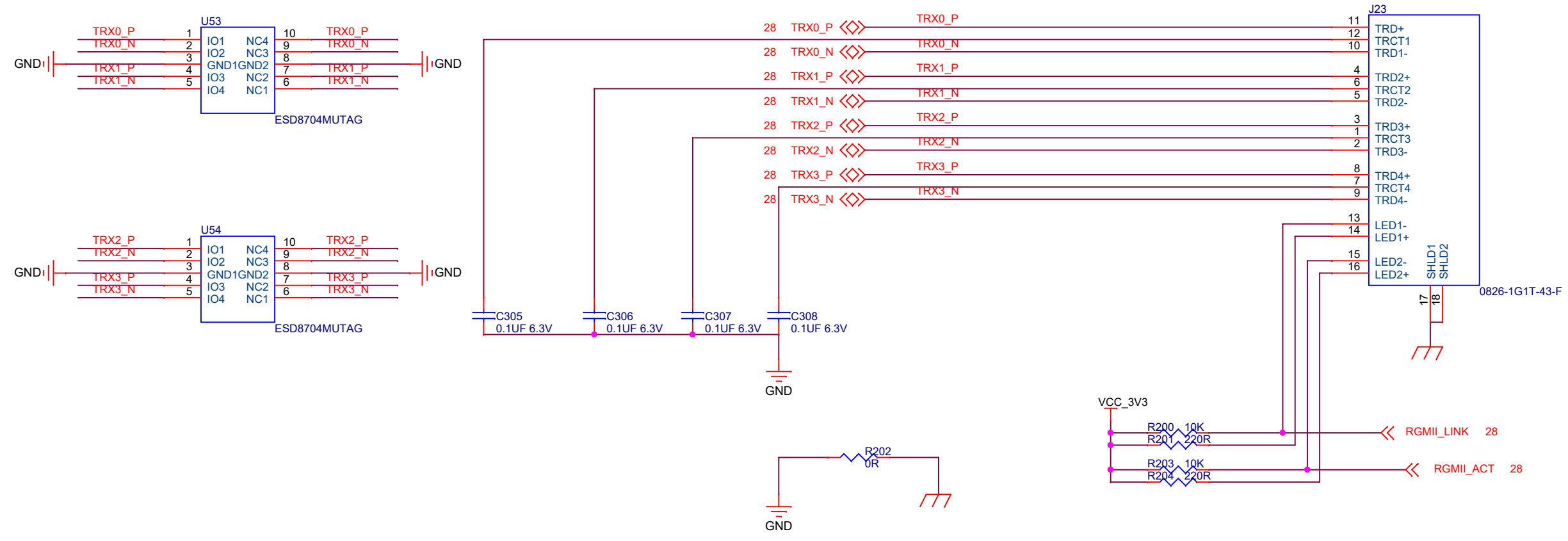
A

Title		
Fiber Sensing		
Size	Document Number	Rev
Custom	SCH001-2022	<Rev C
Date:	Sunday, January 15, 2023	Sheet 23 of 29

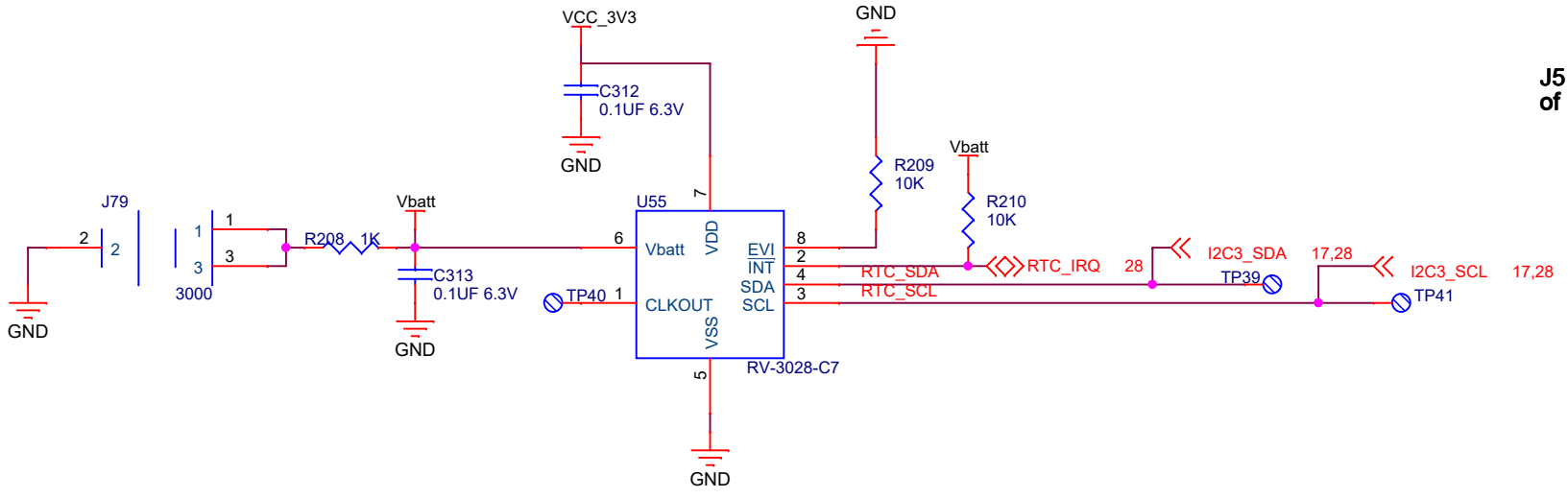
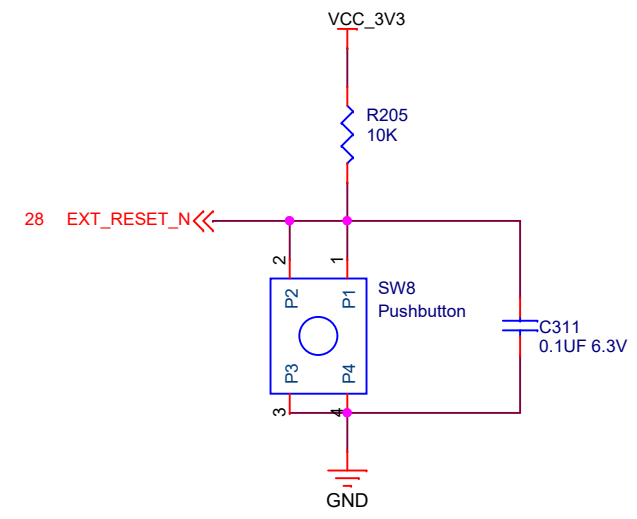
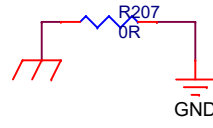
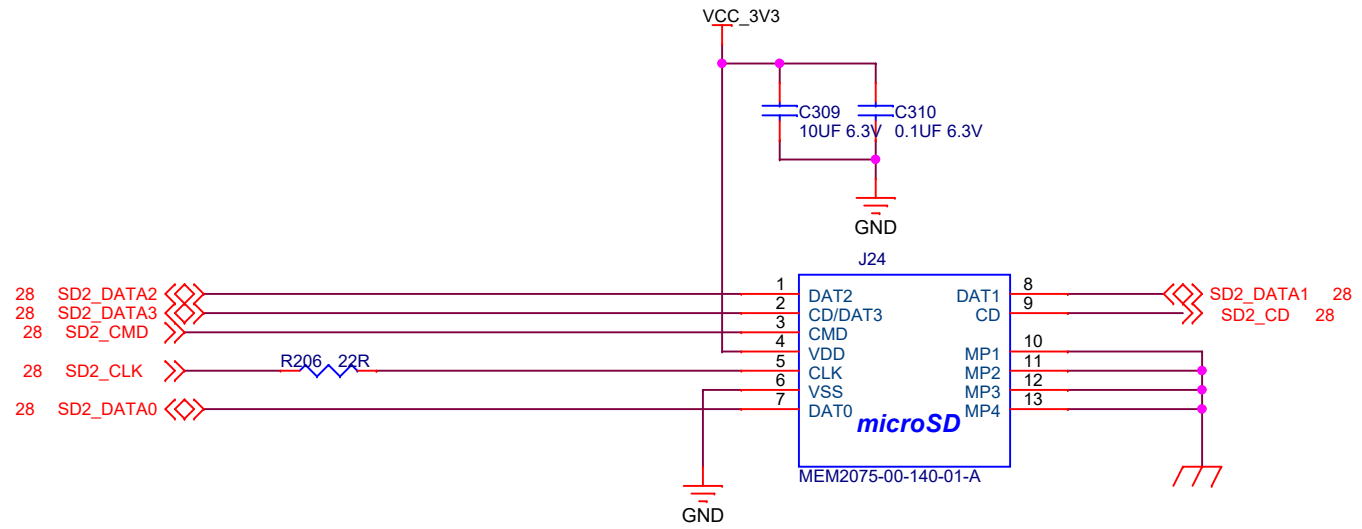


Title		
Fiber Sensing		
Size	Document Number	Rev
Custom	SCH001-2022	<Rev C
Date:	Sunday, January 15, 2023	Sheet 24 of 29

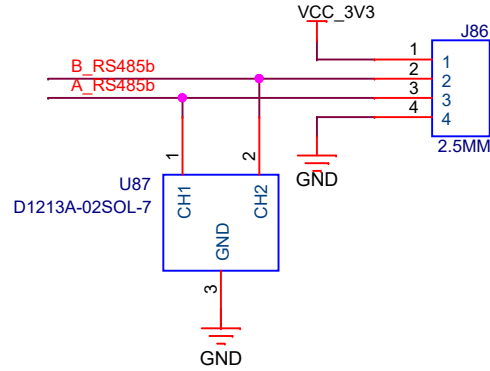
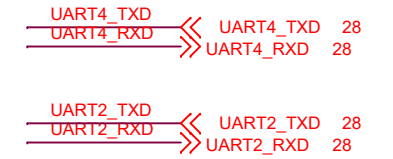
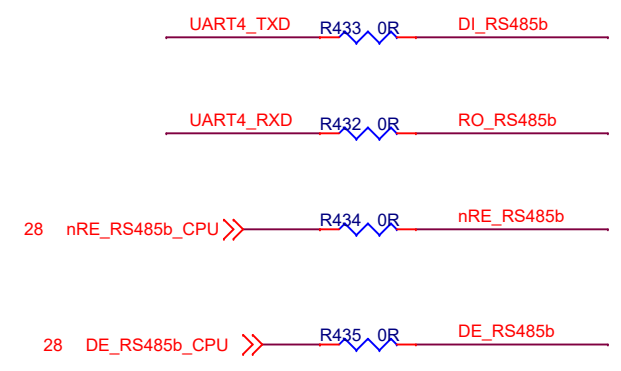
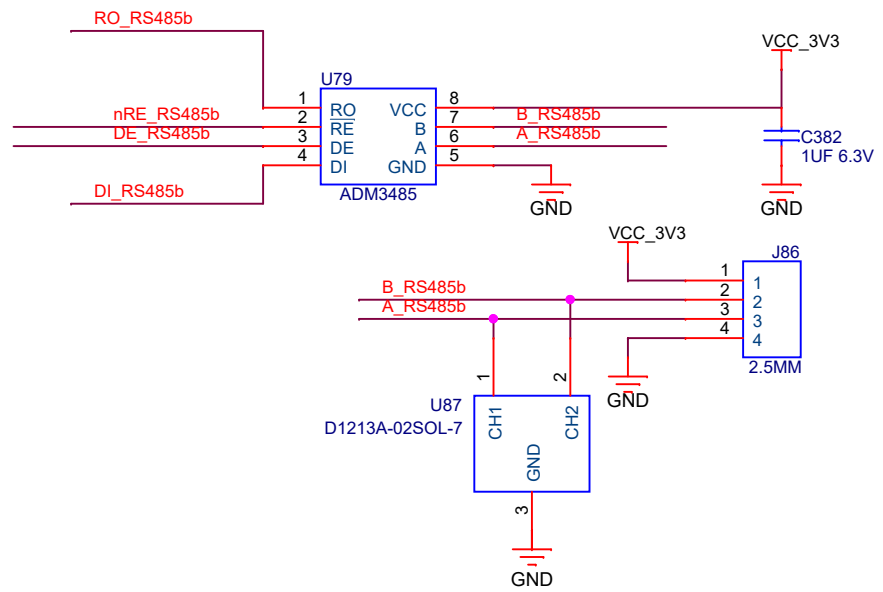
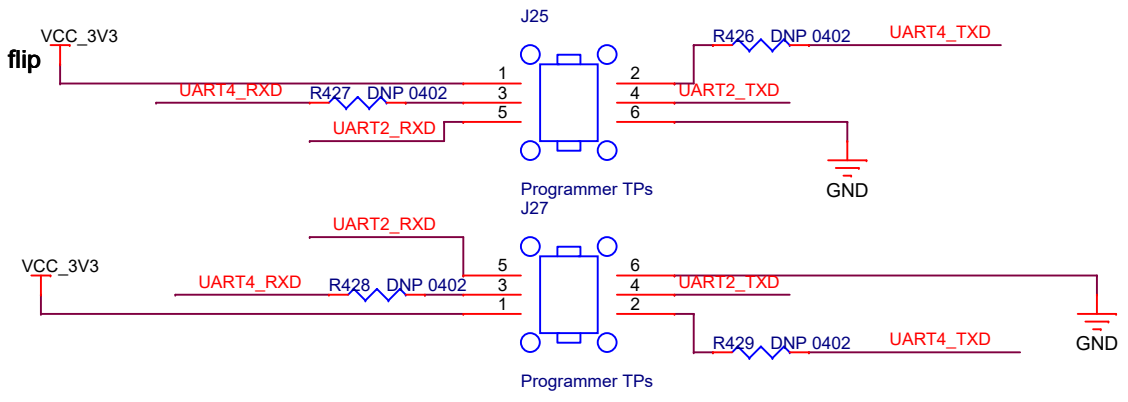




Title		
Fiber Sensing		
Size	Document Number	Rev
Custom	SCH001-2022	<Rev C
Date:	Sunday, January 15, 2023	Sheet 26 of 29



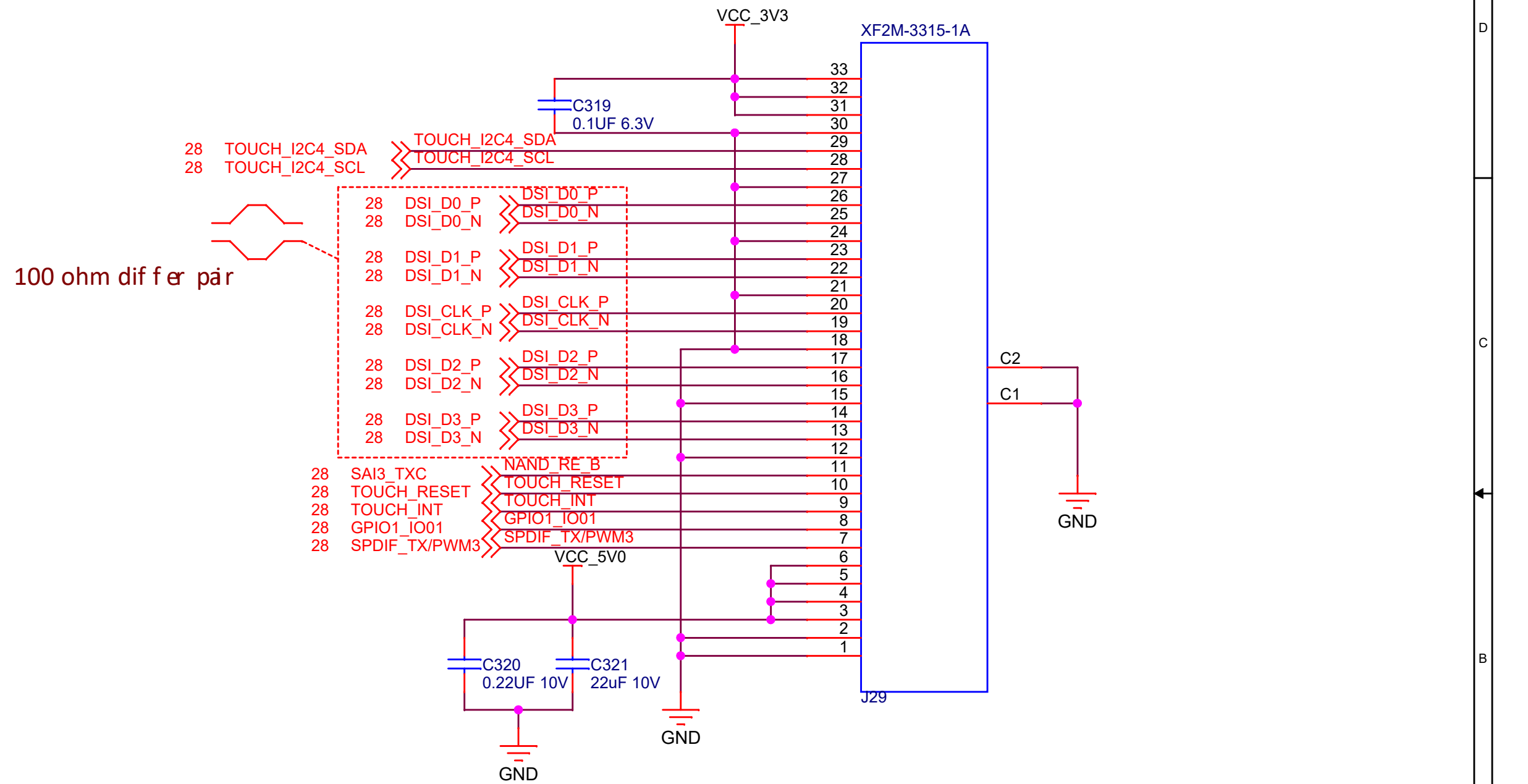
J5 is a flip of J4



Title		
Fiber Sensing		
Size	Document Number	Rev
Custom	SCH001-2022	<RevC
Date:	Sunday, January 15, 2023	Sheet 27 of 29



Title		
Fiber Sensing		
Size	Document Number	Rev
Cust: SCH001-2022		<RevCode>
Date:	Sunday, January 15, 2023	Sheet 28 of 29



Title		
Fiber Sensing		
Size	Document Number	Rev
A	SCH001-2022	<RevCode>
Date:	Sunday, January 15, 2023	Sheet 29 of 29