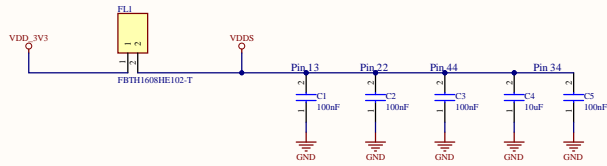
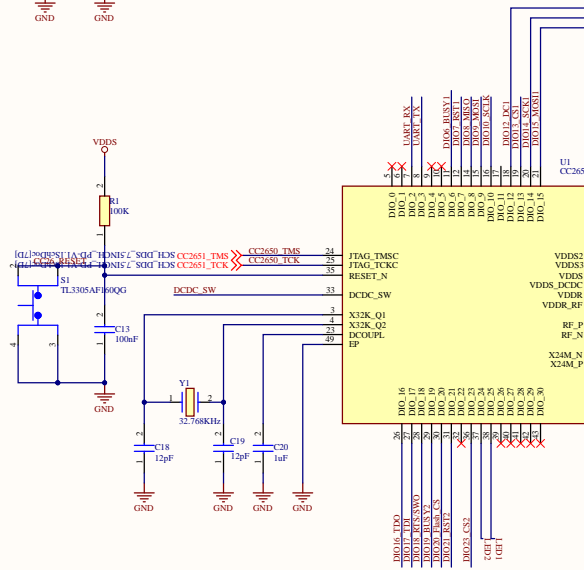


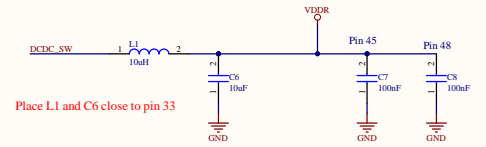
### VDDS Decoupling Capacitors



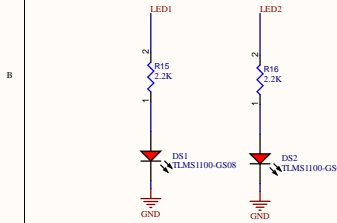
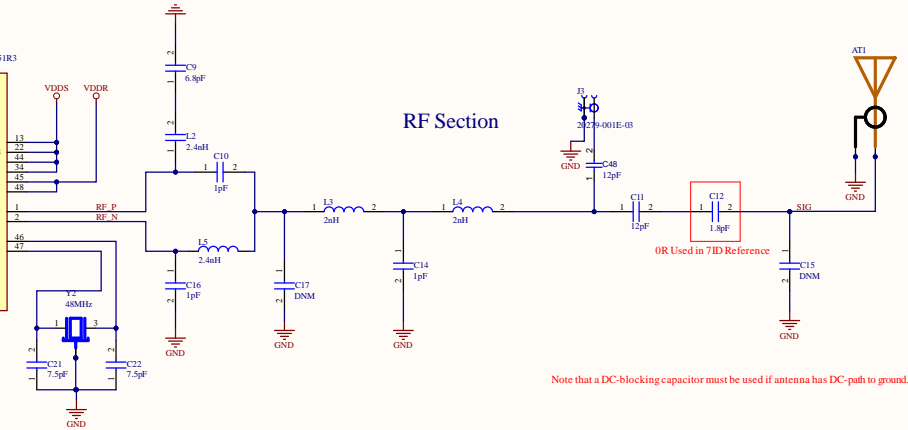
### CC2651 IO Block



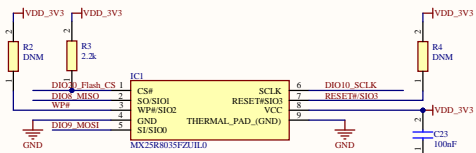
### VDDR Decoupling Capacitors



### RF Section



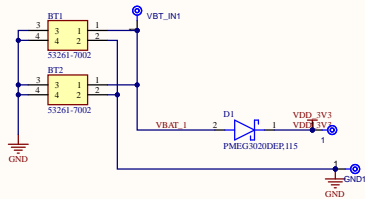
### External Flash



### Debugging Connector



### Battery Connector



Title		
Size	Number	Revision
A2		
Date:	6/19/2024	Sheet of
File:	C:\Users\...SCH_DDS_7_5INCH_PD-V1.1.SchDoc	1 of 1





Value	Description	Designator	Footprint	Quantity	Comment
DNM, 2.2k	Resistor	R2, R3, R4	RESC1005X40N	3	CRGCC00402F100K
100nF, 7.5pF	Capacitor	C1, C2, C3, C5, C7, C8, C13, C21, C22, C23	CAPC1005X55N	10	GRM155R70J104K A01D
48MHz	Crystal 24MHz	Y2	OSCCC320X250X78N	1	FL2400097
47uH	Inductor	L6, L7	VLS3010	2	VLS3010CX-100M-1
12pF	Capacitor	C11, C18, C19	CAPC1005X55N	3	GRM1555C1H120J A01D
12pF	Chip Capacitor, 12pF +/-10%, 50V, 0402, Thickness 0.6 mm	C48	CAPC0402(1005)60_L	1	1
10uF	Capacitor	C4, C6	CAPC1608X90N	2	GRM188R60J106 ME47D
6.8pF	Capacitor	C9	CAPC1005X55N	1	GRM1555C1H6R8 CA01D
4.7uF/25V, 1uF/25V, 1uF/50V, 1uF/25V/DNM, 4.7uF/25V/DNM	Capacitor	C24, C25, C26, C27, C28, C29, C30, C31, C32, C33, C34, C35, C36, C37, C38, C39, C40, C41, C42, C43, C44, C45, C46, C47	CAPC1608X90N	24	06033C105MAT2A
2.4nH	Capacitor	L2	LOG15WH0N7B02D	1	LOG15HS2N4S02D
2.2R, DNM, 10K, OR	Resistor	R6, R7, R10, R11, R12, R13	RESC1608X55N	6	CR0603-J_-000ELF
2.2K	Chip Resistor, 120 Ohms, +/-5%, 0.1W, -55 to 155 degC, 0603	R15, R16	RESC0603(1608)_L	2	Resistor 120R +/-5% 0603 0.1 W
2nH	Inductor	L4	LOG15WH0N7B02D	1	LOG15HS2N0S02D
1.8pF	Capacitor	C12	CAPC1005X55N	1	GRM1555C1H1R8 CA01D
1uF	Capacitor	C20	CAPC1005X55N	1	CL05A105KP5NNNC
1pF, DNM	Capacitor	C10, C14, C15, C16, C17	CAPC1005X55N	5	GRM1555C1H1R0 CA01D
	1 POS Vertical SMD Small form factor with big performance through 6 GHz connector,MHF, RF, micro-coaxial MHF I Receptacle	J3	IPEX_20279-001E-03	1	20279-001E-03
	Inductor with Inductance: 2.4nH Tol. +/-0.3nH, Package: 0402 (1005)	L5	INDC1005X55N	1	2.4nH
	Tactile Switch SPST-NO Top Actuated Surface Mount	S1	SW_TL3305AF1600G	1	TL3305AF1600G
	Connector	BT1, BT2	532617002	2	53261-7002
	Connector	CON_D1	2002111100010T1LF	1	20021111-00010T1LF
	Connector	J1, J2	FH1224S05SH54	2	FH12-24S-0.5SH_54
	Crystal or Oscillator	Y1	Q13FC1350000200	1	32.768KHz
	Diode	D2, D3, D4, D5, D6, D7	SOD3716X135N	6	MBR0530
	Ferrite Bead	FL1	BEADC1608X95N	1	FBTH1608HE102-T
	Inductor	L1	INDC2012X145N	1	10uH
	Inductor	L3	LOG15WH0N7B02D	1	2nH
	Integrated Circuit	IC1	USON-8L	1	MX25R8035FZUIL0
	Integrated Circuit	U1	QFN50P700X700X100-49N-D	1	CC2651R3
	Red Led, 20mA, 2.1 V, -40 to 100 degC, 2-Pin SMD (0603), RoHS, Tape and Reel	DS1, DS2	VISH-TLMMX1100_V	2	TLMS1100-GS08
	Resistor	R1	RESC1005X40N	1	100K
	Resistor	R5	RESC1608X55N	1	10K
	Resistor	R8, R9, R14	RESC1608X55N	3	OR
	RF_Antenna:Texas_S WRA117D_2.4GHz_Right	AT1	2.4GHz Antenna	1	Texas_SWRA117D_2.4GHz_Right
	Schottky Diode	D1	PMEG3050EP115	1	PMEG3020DEP.115
	Transistor	Q1, Q2	SOT96P237X111-3N	2	NTR4170NT1G