

# CC256x Testing Guide

[Return to CC256x Main Wiki](#)

## Contents

### Device Power Up

Required Voltage Rail and Signal Sequence  
nSHUTDOWN and HCI\_RTS

### UART Communication

### Device Initialization Procedure

### Basic BT Operations

### BT RF FCC Modes

Continuous TX  
Packet TX/RX  
Continuous RX

### BT RF SIG Mode

### Production Line Test (PLT)

### BLE Testing

Transmitter Test  
Receiver Test  
Related Documents

## Device Power Up

### Required Voltage Rail and Signal Sequence

Proper power up of the device:

1. nSHUTDOWN must be low.
2. Turn on power supplies:
  1. Turn on VDD\_IN (3.3V, max range is 1.8V to 4.8V)
  2. Turn on VDD\_IO (1.8V, max range is 1.62V to 1.92V)
  3. VDD\_IO and VDD\_IN must be stable before releasing nSHUTDOWN.
3. Slow Clock must be stable within 2ms of releasing nSHUTDOWN.
4. Fast Clock must be stable within 20ms of releasing nSHUTDOWN.
5. The CC256x device will indicate a complete proper power-up sequence by pulling HCI\_RTS low.

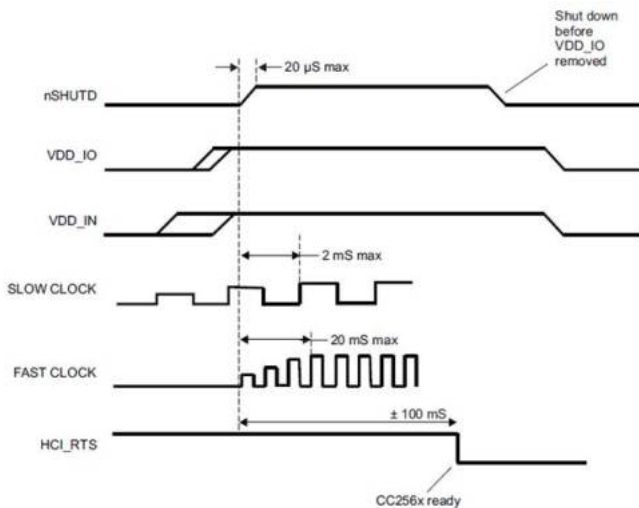


Figure: Proper Power Up Sequence

No signals are allowed on the I/O pins if VDD\_IO power is not present. The only exceptions on this are the SLOW\_CLK, XTALP, XTALM, and AUD\_xxx pins that are fail-safe and can tolerate external voltages without VDD\_IO and VDD\_IN present.

## nSHUTDOWN and HCI\_RTS

The nSHUTDOWN initializes a boot-up of the CC256x device, after the power rails have been applied. The device signals that a proper boot-up was performed by pulling HCI\_RTS low.

# UART Communication

The 4-wire UART connection (H4) has the following default settings:

- 115.2 kbps baudrate
- Hardware (HW) flow control
- UART 8N1 setting:
  - 8-bits
  - No parity bit
  - 1 stop bit

An example of UART HCI communication:

Outgoing command: **HCI\_Read\_Local\_Version\_Information**

Outgoing Hex dump: **0x01 0x01 0x10 0x00**

where the first number indicates a command sent (**0x01**), the second number (**0x01**) and third number (**0x10**) is the command opcode and fourth indicates parameter length

Incoming Hex dump: **0x04 0x0e 0x0c .....**

where the first number (**0x04**) indicates an event received, the second number (**0x0e**) indicates the type of event, and the rest of the numbers is the event.

It is not necessary to download the service pack to verify UART communication with the example above.

# Device Initialization Procedure

The service pack (SP) download procedure:

- Is done right after device power-up sequence.
- Must be done after every power cycle.
- Is done before any BT RF testing.
- Must be done before any BT operations such as *Inquiry*, *Page* or connections

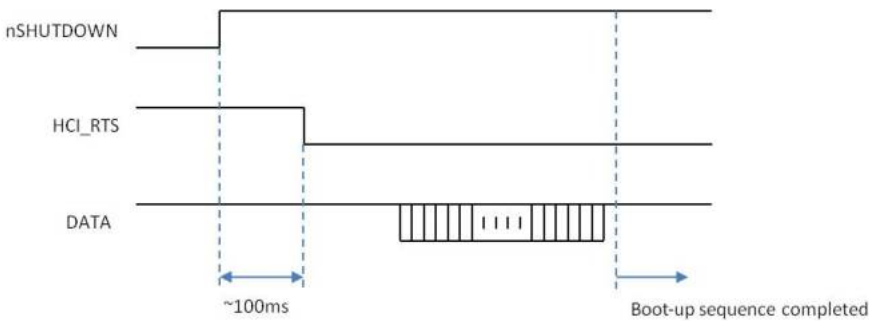


Figure: Device Initialization Sequence

# Basic BT Operations

- Service pack must have been loaded.
- Examples of basic BT operations:
  - Inquiry: The CC256x device is looking for other BT devices that are nearby.
  - Inquiry Scan: The CC256x device is visible but not connectable (it has discoverable MAC address).
  - Page Scan: The CC256x device is connectable but not visible (can accept connections).

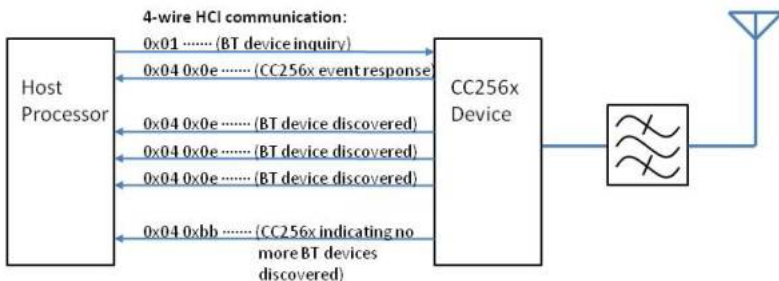


Figure: Example of Bluetooth Inquiry Operation

## BT RF FCC Modes

The Bluetooth RF FCC modes are connection-less RF spectrum tests which uses a spectrum analyzer for verification.

**Note:** The CC256x device must be power cycled when switched between different FCC modes. Please also note that the initscript must be downloaded to the CC256x device after each power cycle before performing the next test.

### Continuous TX

This is a non-packet continuous transmission with either CW(Continuous Wave), GFSK (BR),  $\pi/4$ -DQPSK (2-EDR) or 8DPSK (3-EDR).

The HCI commands to put the device in the constant TX mode (after service pack has been loaded) are:

```
HCI_VS_DRPb_Tester_Con_TX 0xFD84, 0x1, 0, 0, 15, 0x00000000, 0x00000000
HCI_VS_Write_Hardware_Register 0xFF01, 0x0019180c, 0x0101
HCI_VS_DRPb_Enable_RF_Calibration 0xFD80, 0xFF, 0xFFFFFFFF, 0x01
```

The parameters for the *HCI\_VS\_DRPb\_Tester\_Con\_TX* can be found [here](#).

**Note:** The second and third commands are for internal settings (*HCI\_VS\_Write\_Hardware\_Register* and *HCI\_VS\_DRPb\_Enable\_RF\_Calibration*). The *HCI\_VS\_Write\_Hardware\_Register* 0xFF01, 0x0019180c, 0x0101 command is only required for the continuous TX test of modulated (GFSK,  $\pi/4$ -DQPSK or 8DPSK) signal. This command should be skipped when performing continuous TX test for CW.

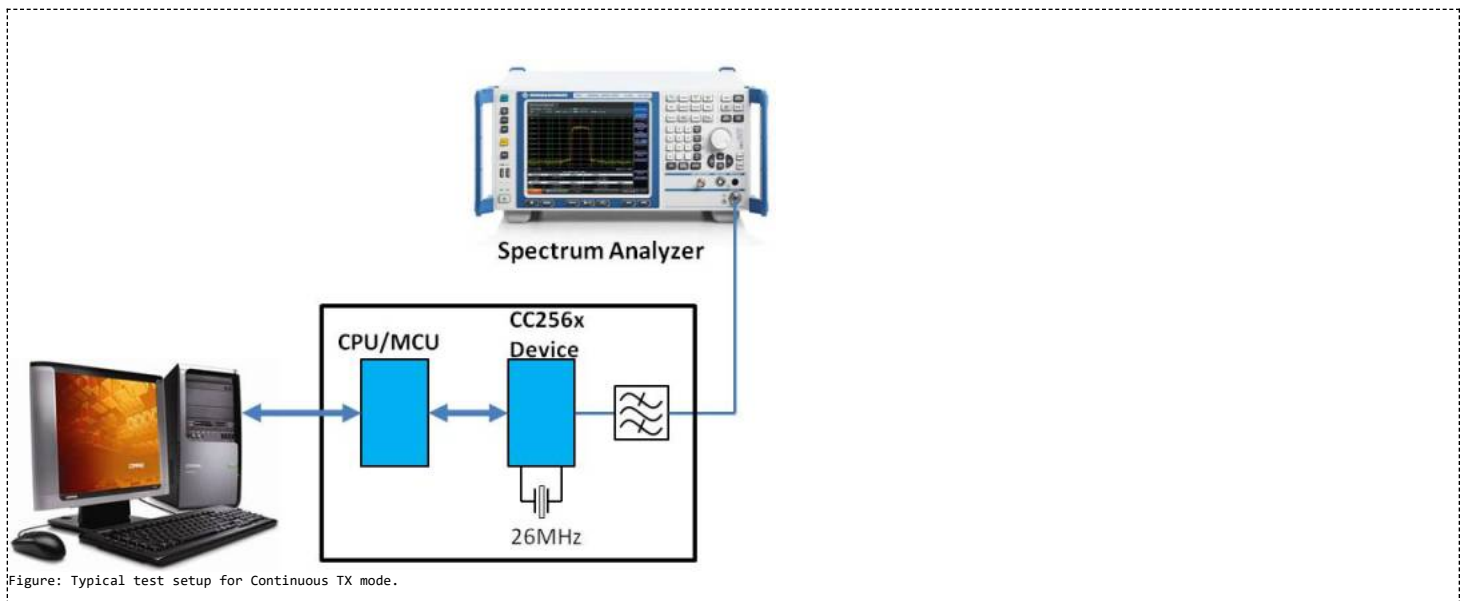


Figure: Typical test setup for Continuous TX mode.

**Note:** It is recommended to use the *HCITester* (<http://www.ti.com/lit/ml/swru136b/swru136b.pdf>) tool on the PC to send the HCI commands to the CC256x device. The *HCITester* can be downloaded as part of the *Wireless Tools* ([http://www.ti.com/tool/wilink-bt\\_wifi-wireless\\_tools](http://www.ti.com/tool/wilink-bt_wifi-wireless_tools)) package.

### Packet TX/RX

To enable the continuous packet transmission/receive the following command needs to be sent after the loading of the service pack:

```
HCI_VS_DRPb_Tester_Packet_TX_RX 0xFD85, 0x03, 0, 0xFF, 0, 2, 0, 27, 15, 1, 0x01FF
```

The parameters for the *HCI\_VS\_DRPb\_Tester\_Packet\_TX\_RX* can be found [here](#).

**Note:** By default, the device uses all the 79 channels in frequency hopping mode. To reduce the number of channels, the following commands should be executed prior to *HCI\_VS\_DRPb\_Tester\_Packet\_TX\_RX*.

- Enable Local AFH Assessment

```
HCI_Write_AFH_Channel_Assessment_Mode 0x1
```

- Classify Channels to Reduce Hopping Scheme

```
Bad Channel = 1, Unknown Channel = 0
<ChannelMap> = B0B1B2B3B4B5B6B7B8B9
Bx = b7b6b5b4b3b2b1b0
Chx = bx
```

Freq = 2402 + Chx  
 e.g. <ChannelMap> = '000000E0FFFF01000000', Blocked Channels = 0 - 28 and 49 - 78, Used Frequencies = 2,431MHz - 2,450MHz

```
HCI_Set_AFH_Host_Channel_Classification <ChannelMap>
```

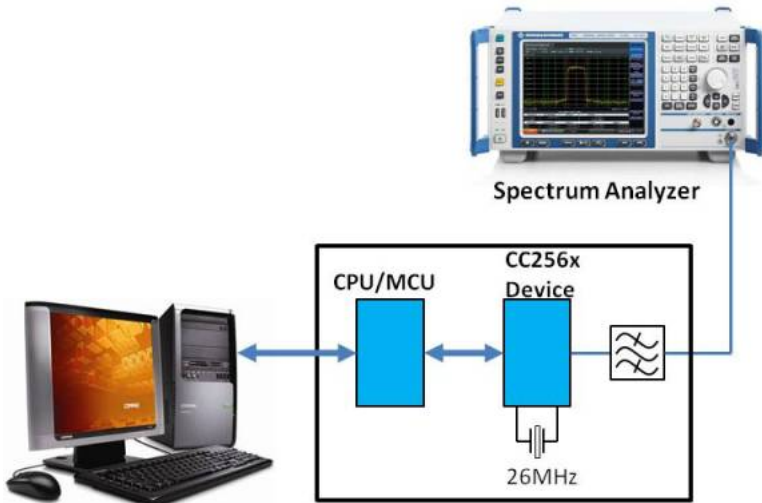


Figure: Typical test setup for Continuous TX mode

## Continuous RX

To turn on the receiver portion of the chip the following command needs to be sent after the loading of the service pack:

```
HCI_VS_DRPb_Tester_Con_RX 0xFD17, 0, 0x00
```

The parameters for the *HCI\_VS\_DRPb\_Tester\_Con\_RX* are:

1. Op code (0xFD17)
2. Frequency index (**0-39**:  $f=2402+(2*i)$ MHz, **40-78**:  $f=2403+2(i-40)$ MHz)
3. Internal setting (0x00)

The setup would be the same as for *Continuous TX*

## BT RF SIG Mode

The BT RF SIG mode is meant for connecting with a Bluetooth tester where the CC256x is controlled over the LMP (Link Management Protocol). The procedure for enabling the CC256x for BT SIG mode is:

1. Proper device power-up
2. Load the correct service pack
3. Load the DUT script (three HCI commands)

Once the device (DUT) is in test mode, the BT tester will, through the RF connection (LMP), take control of the DUT.

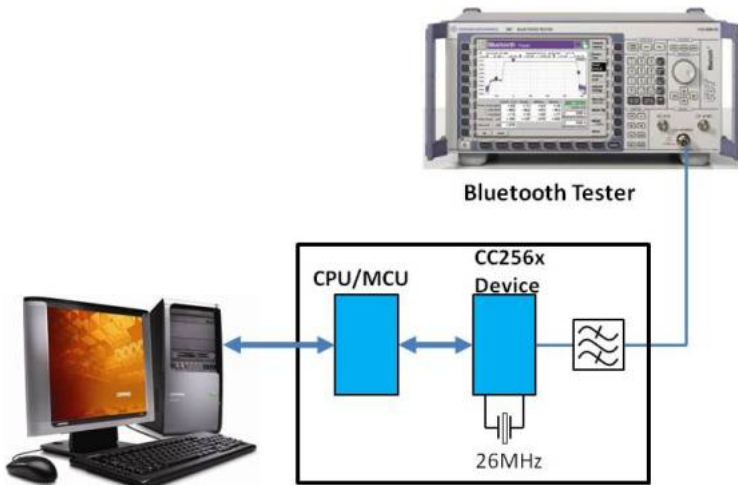


Figure: CC256x Bluetooth RF SIG mode test setup

The HCI commands to put the device in test RF SIG mode are:

```
HCI_Set_Event_Filter 0x02, 0x00, 0x03
HCI_Write_Scan_Enable 0x03
HCI_Enable_Device_Under_Test_Mode
```

This script will make the device visible and connectable (*HCI\_Set\_Event\_Filter* ), auto-accept all connections (*HCI\_Write\_Scan\_Enable* ) and put the DUT in test mode (*HCI\_Enable\_Device\_Under\_Test\_Mode*). Once the proper sequence has been completed (first loading the BT service pack and then the DUT script), then the BT tester will take control of the device through the RF link (LMP).

## Production Line Test (PLT)

See [CC256x Production Line Testing Guide](#).

## BLE Testing

This section provides information on how to configure the CC2564 device for the Bluetooth Low Energy (BLE) SIG RF PHY Testing.

The DUT is the CC2564 dual-mode Bluetooth device (possibly interfaced with host MPU/CPU). The Upper Tester is the PC which communicates with the DUT by sending HCI commands using UART 8-N-1 serial protocol. The DUT is also connected to the lower tester which is the Bluetooth tester (such as CBT Tester) via a U.FL/SMA connector.

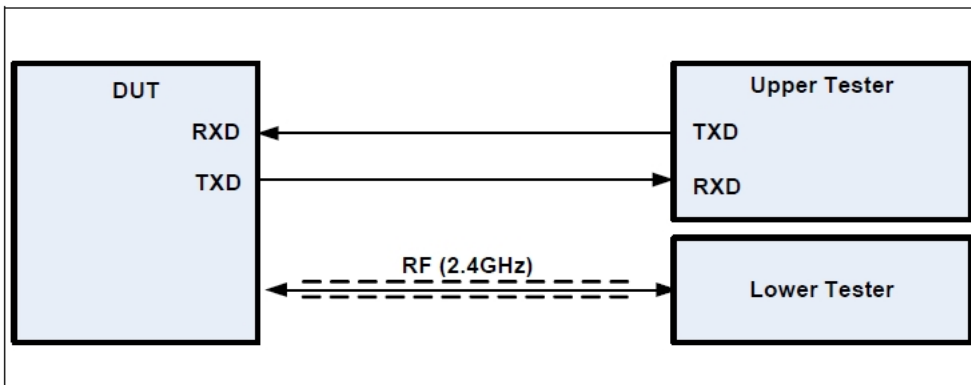
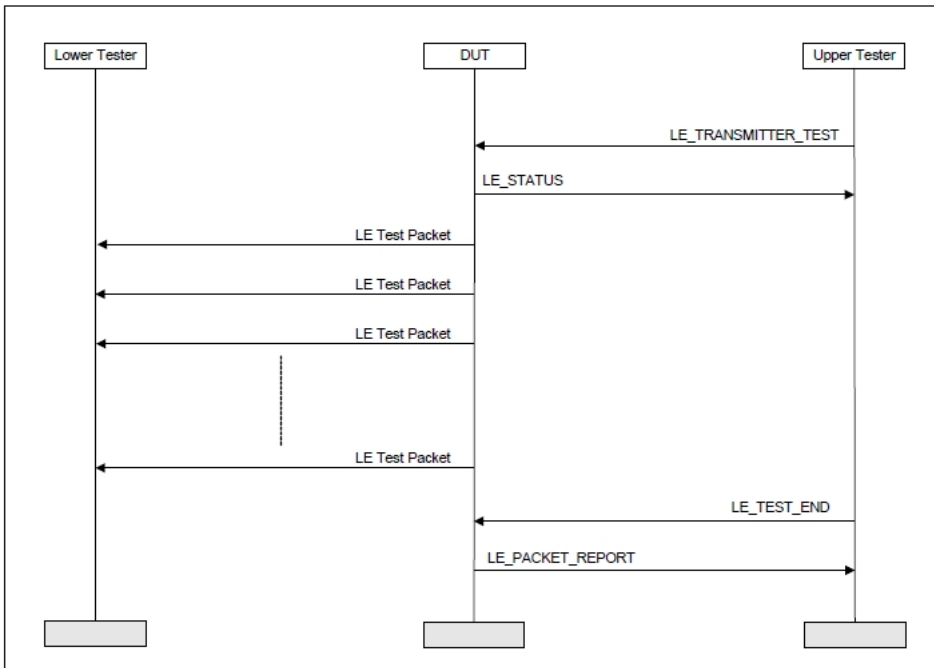


Figure 1.2: RF PHY test setup for Direct Test Mode (UART control)

## Transmitter Test

The Bluetooth device will transmit to the Bluetooth tester which will analyze the power spectrum of the received data.



**1. Initialize CC2564 device**

Load Core BT Service Pack (BT SP) to the CC2564 device

[Download Core BT SP \(http://processors.wiki.ti.com/index.php/CC256x\\_Downloads\)](http://processors.wiki.ti.com/index.php/CC256x_Downloads)

**2. Enable BLE mode**

**Note:** If the CC256x Service Pack (SP) version contains a BLE add-on SP, then the `HCI_VS_LE_Enable 0xFD5B` command is embedded inside the BLE add-on SP and must not be sent again.

If the CC256x Service Pack (SP) version contains a BLE add-on SP:

Load BLE Add-On SP

[Download BLE Add-On SP \(http://processors.wiki.ti.com/index.php/CC256x\\_Downloads\)](http://processors.wiki.ti.com/index.php/CC256x_Downloads)

Otherwise,

Execute the `'HCI_VS_LE_Enable 0xFD5B, 1, 1'` command

**3. Set the BLE Test Parameters**

**Note:** Power Level 1 is used for BLE. For more information on this command, refer to the [CC256x\\_VS\\_HCI\\_Commands \(http://processors.wiki.ti.com/index.php/CC256x\\_VS\\_HCI\\_Commands#HCI\\_VS\\_Set\\_LE\\_Test\\_Mode\\_Parameters\\_.280xFD77.29\)](http://processors.wiki.ti.com/index.php/CC256x_VS_HCI_Commands#HCI_VS_Set_LE_Test_Mode_Parameters_.280xFD77.29) wiki

`HCI_VS_Set_LE_Test_Mode_Parameters 0xFD77, 0x01, 0x0, Packets to transmit, Access Code, 0x00, 0x00, 0x00, 0x00, 0x00, 0x00000000`

Command Parameter	Size (bytes)	Value	Description
Packets to transmit	2	0x0000 N	<i>Unlimited</i> - Continuous TX N number of packets to transmit [1]
Access code	4	0XXXXXXXX	An access code to sync and transmit <i>Default = 0x71764129 (TestMode AC)</i>

- Note:** If the *Packets to transmit* is a specific value (i.e. Non-continuous), then the `HCI_BLE_Transmitter_Test 0x201E` must be sent twice. For more information, refer to the following [E2E post \(https://e2e.ti.com/support/wireless\\_connectivity/f/660/t/458458\)](https://e2e.ti.com/support/wireless_connectivity/f/660/t/458458)

**4. Start TX test [1]**

`HCI_BLE_Transmitter_Test 0x201E, TX_Channel , Data_Length, Payload_Type`

Command Parameter	Size (bytes)	Value	Description
TX_Channel	1	0 - 39	TX Frequency: $2402 + 2*k$ , where k is the channel (max val is 39)
Data_Length	1	0 - 37 (0x025)	Packet payload length up to 37 (0x25) bytes
Payload_Type	1	0 - 7	0 - PRBS9 1 - FOFO 2 - ZOZO 3 - PRBS15 4 - All Ones 5 - All Zeros 6 - OFOF 7 - OZOZ

**5. Take measurements**

Look at the Bluetooth tester results.

### 6. End BLE TX Test

HCI\_BLE\_Test\_End 0x201F

**Note:** To re-start transmission, go back to steps 3 (optional) and 4.

## Receiver Test

The Bluetooth device will receive data from CBT and PC will calculate PER and BER from received data.

### Receiver Test

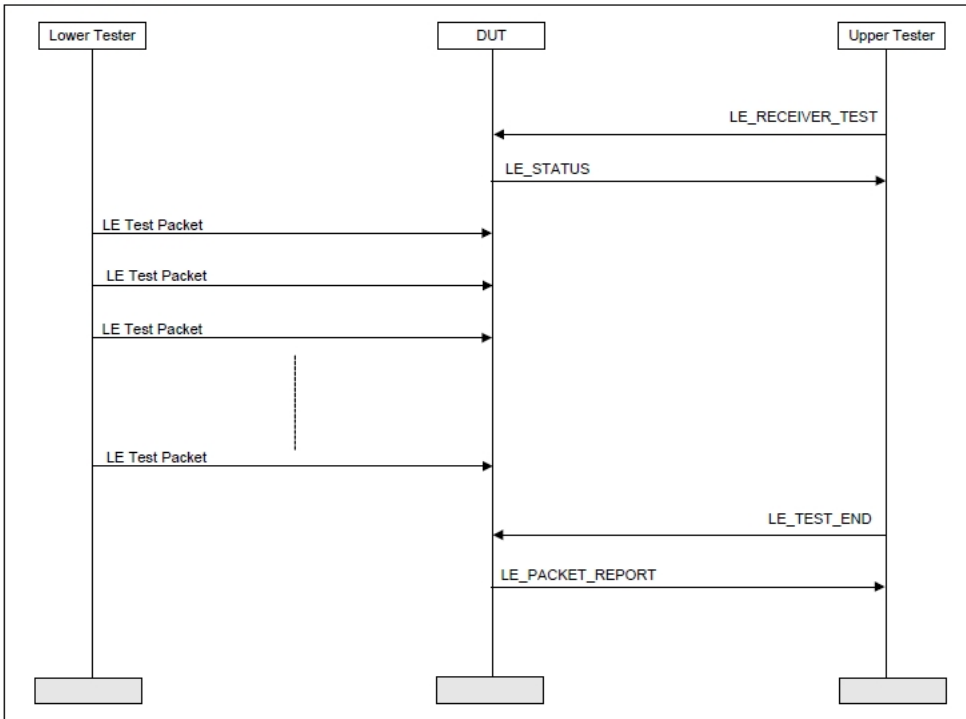


Figure 2.2: Receiver Test MSC

1. Enable BLE mode:

HCI\_VS\_LE\_Enable 0xFD5B, 1, 1

2. Set the type of test to run

PER\_nBER = 1 (PER=1 or BER=0)

3. Set here the number of packets the tester transmits for PER measurements

Tx\_Packets = 1500

4. Set RX Frequency Channel 2402 + 2\*k, where k is the channel (max val is 39)

RX\_Channel = 0 (same as k)

5. Set the RX Mode According to the options below (Default is "1"):

- # 0 - Normal mode, Open loop & no power saving
- # 1 - Wide window mode, Close loop & no power saving
- # 2 - Continuous RX, Open loop before SYNC
- # 3 - Wide window & power saving mode, Close loop & power saving

RX\_Mode = 1

6. Set the RX Access Code to Sync on (Default is 0x71764129)

```
RX_AC = 0x71764129
```

7. Set payload type

```
# 0 - PRBS 9
# 1 - FOFO
# 2 - ZOZO
# 3 - PRBS 15
# 4 - All Ones
# 5 - All Zeros
# 6 - OFOF
# 7 - OZOZ
```

```
PayloadType = 0x00
```

8. Set length of packet fields in Bytes

```
Header_Length = 2
Payload_Length = 37
CRC_Length = 3
```

9. Set CRC for PRBS9 with 37 Bytes length

```
CRC_Value = 0x00E221E8
```

10. When traces are enabled than the Cortex is not able receive the next packet

```
En_Traces = 0
```

11. Set the amount of bad bits/packet to identify FA (in percent) and set Enable\_BER

```
FA_THR_inPer = 7
Total_Bits_in_packet = 8 * (Header_Length + Payload_Length + CRC_Length)
FA_THR_inBits = round((FA_THR_inPer/100) * Total_Bits_in_packet)

if (PER_nBER == 1) then
    Enable_BER = 0
else
    Enable_BER = 1
endif
```

12. Clear Sync Counter

```
HCI_VS_Write_Hardware_Register 0xFF01, 0x0019324E, 0x0
Outgoing Dump: 01 01 ff 06 4e 32 19 00 00 00
Incoming Event: 04 0e 04 01 01 ff 00 (Command Complete Event)
```

13. Update Parameters

```
HCI_VS_Set_LE_Test_Mode_Parameters 0xFD77, 0x01, RX_Mode, 0, RX_AC, Enable_BER, PayloadType, Payload_Length, FA_THR_inBits, En_Traces, CRC_Value
```

```
HCI_VS_Set_LE_Test_Mode_Parameters 0xFD77, 0x01, x01, 0x0000, 0x71764129(RX_AC), 0x00(Enable_BER), 0x00(PayloadType), 0x25(Payload_Length), 0x18(FA_THR_inBits), 0x00(En_Traces),
0x00E221E8
(CRC)
```

14. Start RX Scan

```
HCI_BLE_Receiver_Test 0x201d, RX_Channel
```

Pause here and send data packets from the CBT Tester. Continue with scripts after sending all the packets.

15. If testing for PER:

```
if (PER_nBER == 1) then
    HCI_BLE_Test_End 0x201f
```

Returns number of packets recieved, save into &Rx\_Packets.

16. Read Phy - Sync Counter Value

```
HCI_VS_Read_Hardware_Register 0xFF00, 0x0019324E
Outgoing Dump: 01 00 ff 04 4e 32 19 00
Incoming Event: 04 0e 06 01 00 ff 00 0a 00 (Command Complete Event, Value: 0x000A)
```

Returns Sync Counter Value, save into &Sync\_Counter.



17. Calculate PER = 100\*(Tx\_Packets - Rx\_Packets)/Tx\_Packets

18. For BER:

```
else
HCI_BLE_Test_End 0x201f
```

Returns number of packets received, save into &Rx\_Packets.

19. Read BER Results

```
Hci_VS_LE_Read_Ber_Test_Results 0xFDAE
```

Vendor-Specific LE\_Read\_Ber\_Test\_Results Command Complete parameters:

See in wiki. ([http://processors.wiki.ti.com/index.php/CC256x\\_VS\\_HCI\\_Commands#HCI\\_VS\\_LE\\_Read\\_Ber\\_Test\\_Results\\_280xFDAE.29](http://processors.wiki.ti.com/index.php/CC256x_VS_HCI_Commands#HCI_VS_LE_Read_Ber_Test_Results_280xFDAE.29))

20. Read Phy - Sync Counter Value

```
HCI_VS_Read_Hardware_Register 0xFF00, 0x0019324E
Outgoing Dump: 01 00 ff 04 4e 32 19 00
Incoming Event: 04 0e 06 01 00 ff 00 0a 00 (Command Complete Event, Value: 0x000A)
```

Returns Sync Counter Value, save into &Sync\_Counter.

21. Calculate Actual Syncs

```
Actual_Syncs = BER_Syncs - FA_Events
```

22. Calculate BER:

```
# Bit Counters
Total_Bad_Bits = Htype_Bad_Bits + Hlength_Bad_Bits + Ppart1_Bad_Bits + Ppart2_Bad_Bits + Ppart3_Bad_Bits + Ppart4_Bad_Bits + CRC_Bad_Bits
Dropped_Packets = Actual_Syncs - Total_Good_Packets
Detected_Packets = Actual_Syncs
Total_Received_Bits = Total_Bits_in_packet * Detected_Packets

if(Total_Received_Bits == 0) then
BER = 100
else
BER = 100*(Total_Bad_Bits / Total_Received_Bits)
endif
```

## Related Documents

- VS HCI Commands

**Cite error: Invalid <ref> tag; no text was provided for refs named Number\_Of\_Packets**

Keystone=

1. switchcategory:MultiCore=

- For technical support on MultiCore devices, please post your questions in the C6000 MultiCore Forum
- For questions related to the BIOS MultiCore SDK (MCSDK), please use the BIOS Forum

Please post only comments related to the article **CC256x Testing Guide** here.

For technical support on MultiCore devices, please post your questions in the C2000 MultiCore Forum. Please post only comments about the article **CC256x Testing Guide** here.

For questions related to the BIOS MultiCore SDK (MCSDK), please use the BIOS Forum. Please post only comments about the article **CC256x Testing Guide** here.

For technical support on the MSP430 please post your questions on The MSP430 Forum. Please post only comments about the article **CC256x Testing Guide** here.

For technical support on the OMAP please post your questions on The OMAP Forum. Please post only comments about the article **CC256x Testing Guide** here.

For technical support on the MAVRK please post your questions on The MAVRK Toolbox Forum. Please post only comments about the article **CC256x Testing Guide** here.

## Links



- Amplifiers & Linear Audio
- Broadband RF/IF & Digital Radio
- Clocks & Timers
- Data Converters

- DLP & MEMS High-Reliability Interface
- Logic
- Power Management

### Processors

- ARM Processors
- Digital Signal Processors (DSP)
- Microcontrollers (MCU)
- OMAP Applications Processors

### Switches & Multiplexers

- Temperature Sensors & Control ICs
- Wireless Connectivity

Retrieved from "[https://processors.wiki.ti.com/index.php?title=CC256x\\_Testing\\_Guide&oldid=236516](https://processors.wiki.ti.com/index.php?title=CC256x_Testing_Guide&oldid=236516)"

---

**This page was last edited on 10 April 2019, at 13:19.**

Content is available under [Creative Commons Attribution-ShareAlike](#) unless otherwise noted.