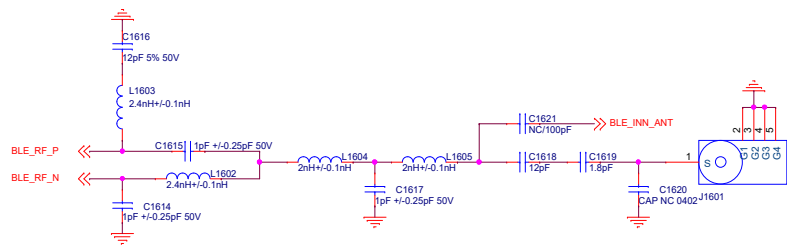
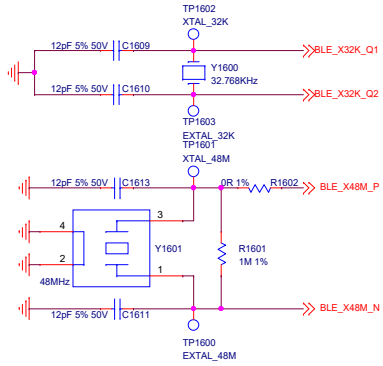
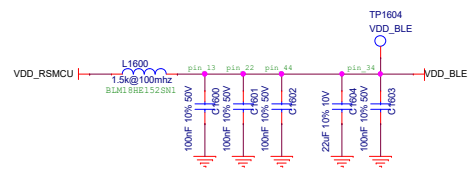
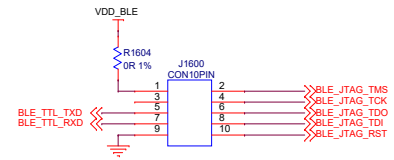
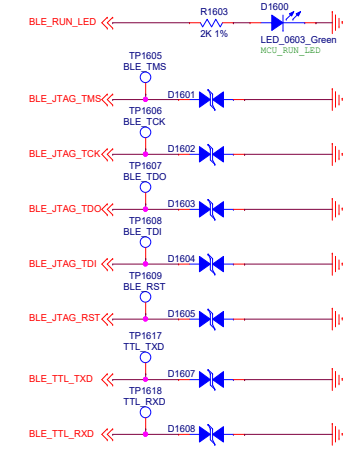
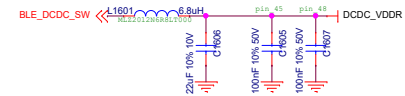
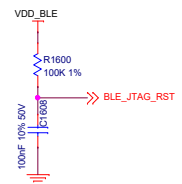
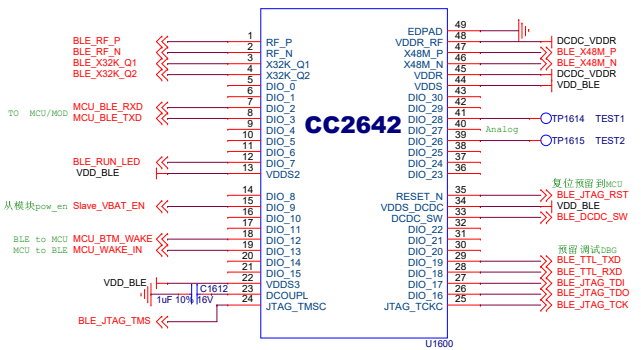


# BLE\_CC2642



- MCU\_BLE\_RXD <<< TP1610 BLE\_RXD
- MCU\_BLE\_TXD <<< TP1611 BLE\_TXD
- MCU\_BTM\_WAKE <<< TP1612 BTM\_WAKE
- MCU\_WAKE\_IN <<< TP1613 MCU\_WAKE



Title		<Title>	
Size	Document Number	Rev	
Custom	<Doc>	<RevCode>	
Date:	Wednesday, March 22, 2023	Sheet	15 of 36