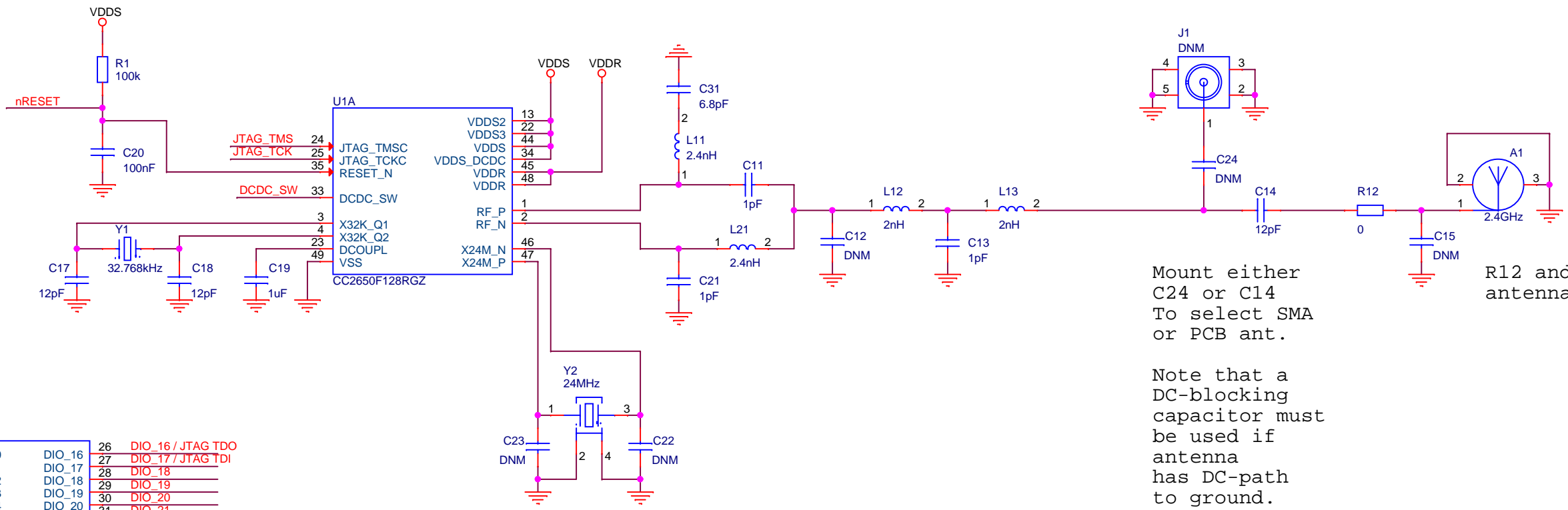


Place L1 and C8 close to pin 33



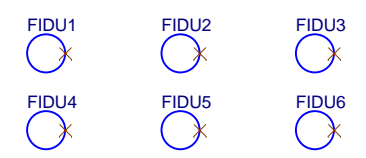
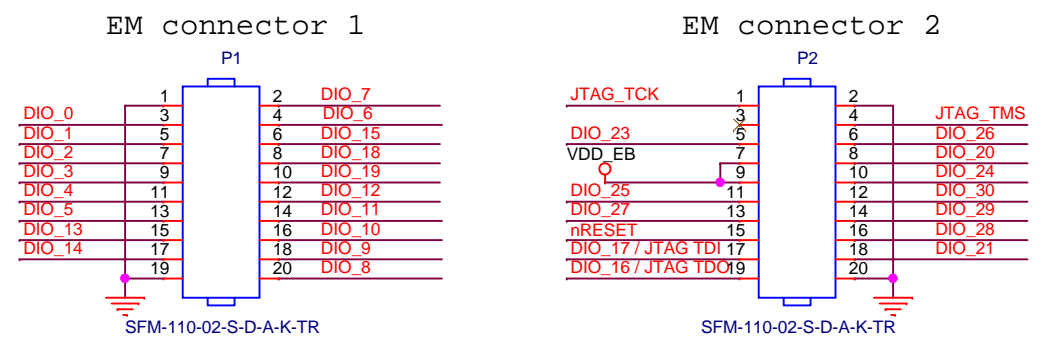
Mount either C24 or C14 To select SMA or PCB ant.
R12 and C15 for antenna matching

Note that a DC-blocking capacitor must be used if antenna has DC-path to ground.

U1B		CC2650F128RGZ	
DIO_0	5	DIO_16	26
DIO_1	6	DIO_17	27
DIO_2	7	DIO_18	28
DIO_3	8	DIO_19	29
DIO_4	9	DIO_20	30
DIO_5	10	DIO_21	31
DIO_6	11	DIO_22	32
DIO_7	12	DIO_23	36
DIO_8	14	DIO_24	37
DIO_9	15	DIO_25	38
DIO_10	16	DIO_26	39
DIO_11	17	DIO_27	40
DIO_12	18	DIO_28	41
DIO_13	19	DIO_29	42
DIO_14	20	DIO_30	43
DIO_15	21	DIO_30	43
		DIO_16 / JTAG TDO	26
		DIO_17 / JTAG TDI	27
		DIO_22	32
		DIO_23	36
		DIO_24	37
		DIO_25	38
		DIO_26	39
		DIO_27	40
		DIO_28	41
		DIO_29	42
		DIO_30	43
		DIO_22	32
		DIO_23	36
		DIO_24	37
		DIO_25	38
		DIO_26	39
		DIO_27	40
		DIO_28	41
		DIO_29	42
		DIO_30	43

NOTE:
The CC2650 is a superset of CC2610, CC2620, CC2630 and CC2640. This design can thus be considered a reference design for all of these devices.

Likewise, the CC2650EM board can be used to evaluate the performance for all the above mentioned devices.



Title:	CC2650EM-7ID		
Drawn:	FGK		
Checked:			
Size:	A3	Rev: 1.2.6	Sheet: 1 of 1
Date:	Thursday, February 05, 2015		