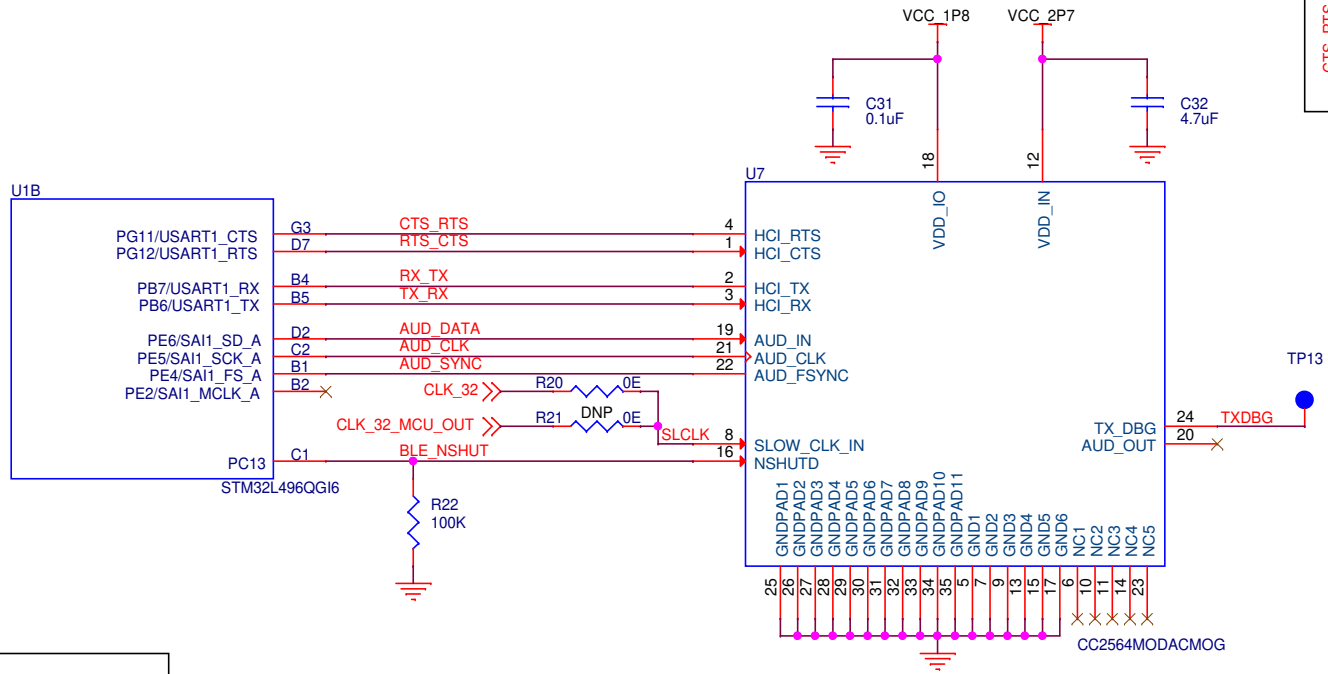
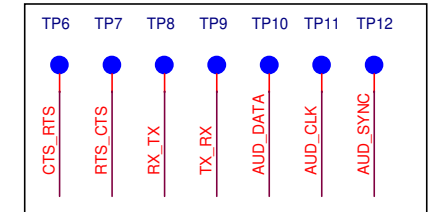


Communication BLE

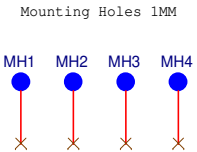
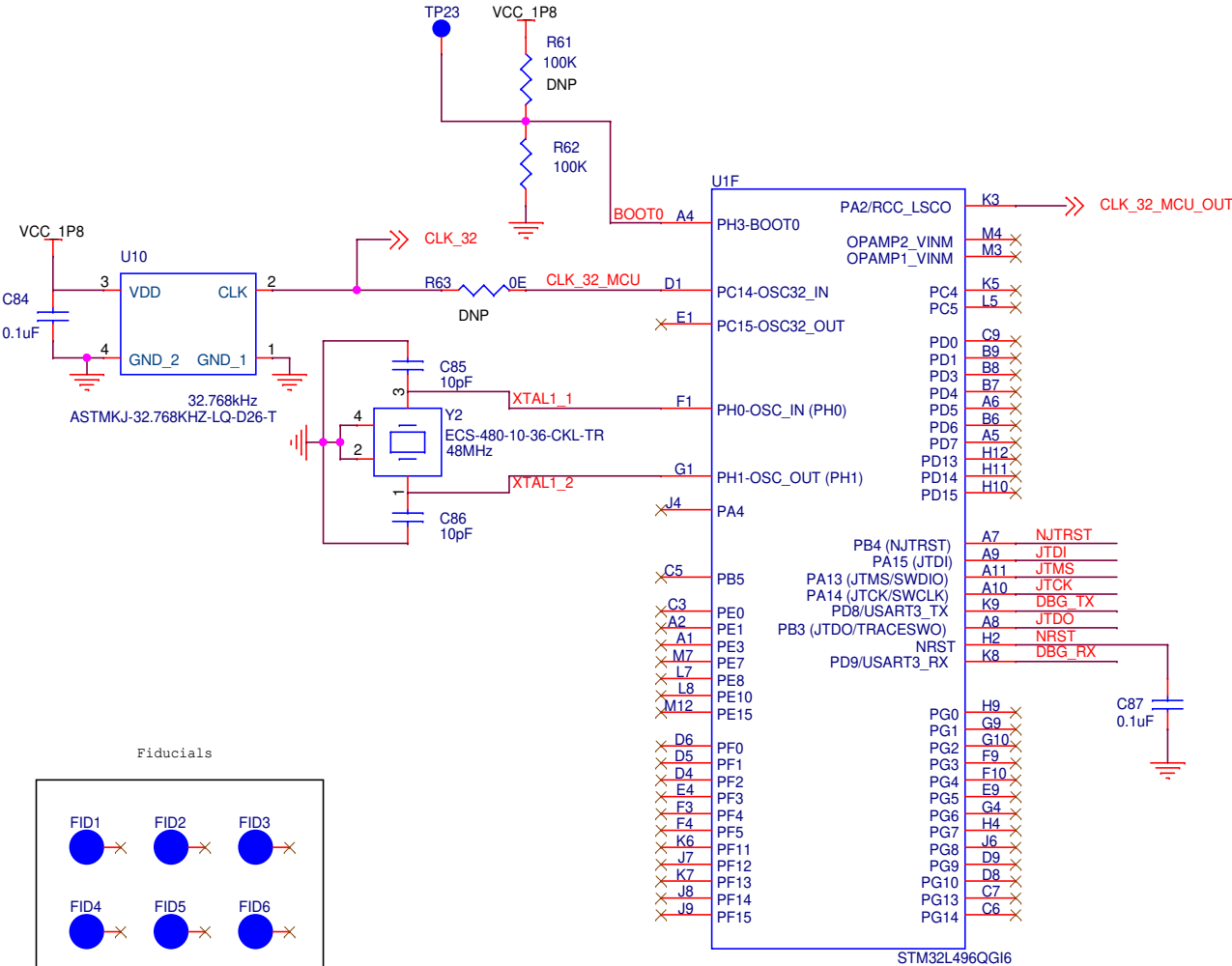
Test points



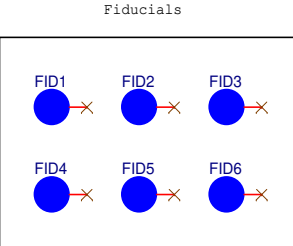
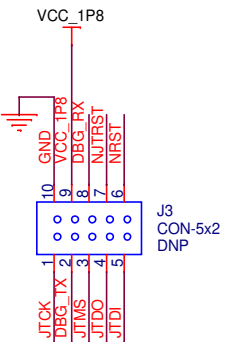
CAD Note:

Place C31 close to VDD_IO
Place C32 close to VDD_IN

Debug And Crystal



CAD Note:
MH1, MH2, MH3, MH4 Board mounting hole one in each corner



GadgEon
Engineering Smartness **GadgEon Smart Systems Pvt Ltd**

THIS DOCUMENT CONTAINS INFORMATION PROPRIETARY TO GADGEON. USE OR DISCLOSURE WITHOUT WRITTEN PERMISSION IS FORBIDDEN.

Title: **Debug And Crystal**

Size: A4	Project: GDGILM	Document Version: 1	Rev: P2
----------	------------------------	---------------------	---------

Date: Monday, November 19, 2018 Sheet 10 of 11