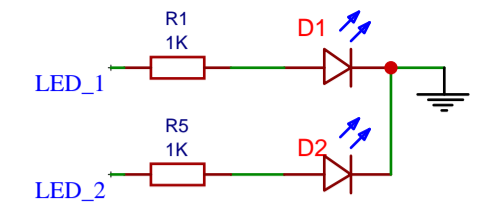
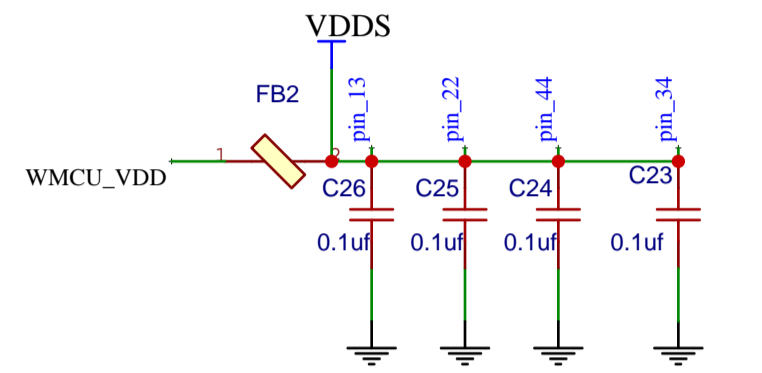


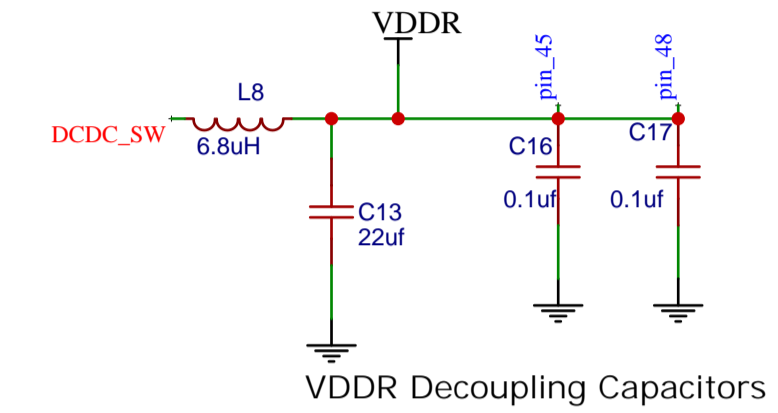
Input_frm_Backend



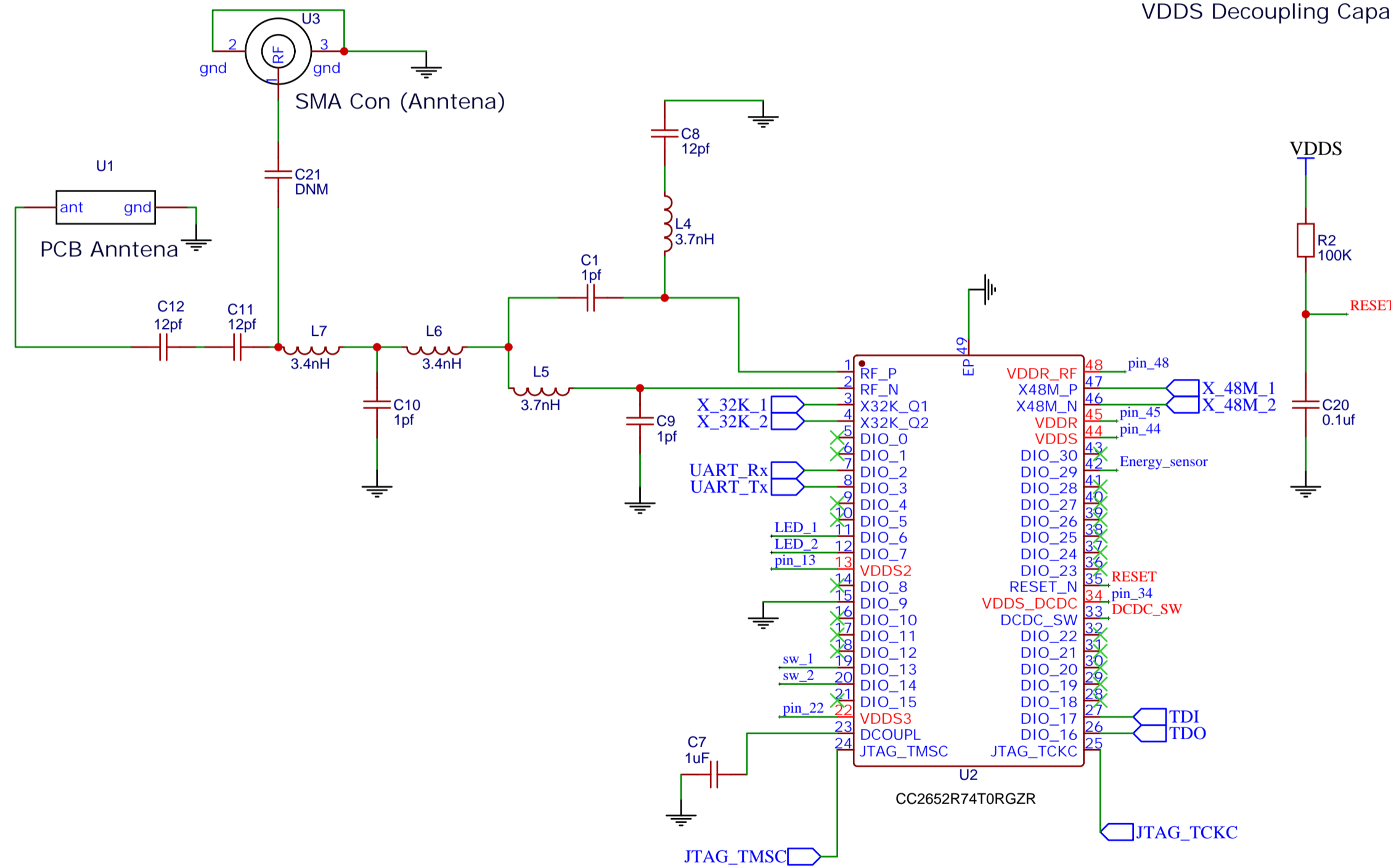
Indicators



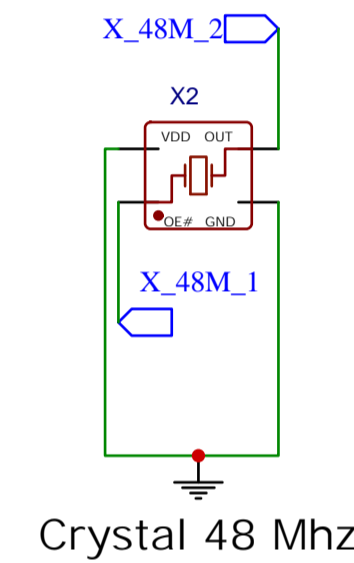
VDDS Decoupling Capacitors



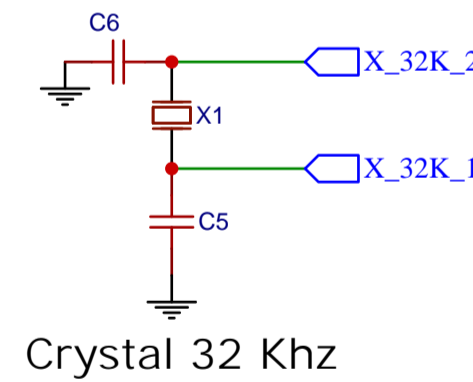
VDDR Decoupling Capacitors



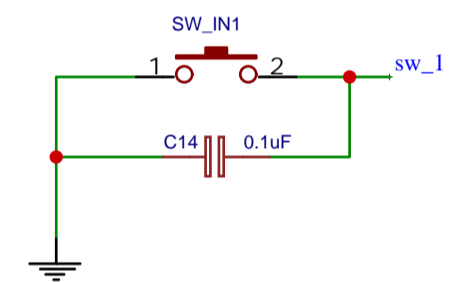
VDDR Decoupling Capacitors



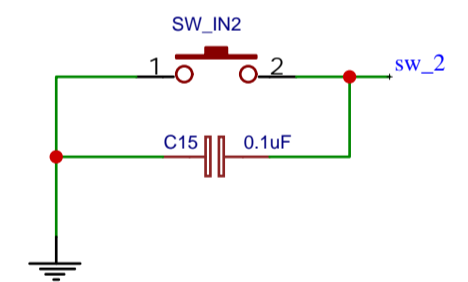
Crystal 48 Mhz



Crystal 32 Khz



Switch_input



TITLE: Dev_Board_cc2652R7_v2		REV: 1.0
EasyEDA	Company: Hukam Technologies	Sheet: 1/1
	Date: 2023-10-07	Drawn By: sabiinsearch