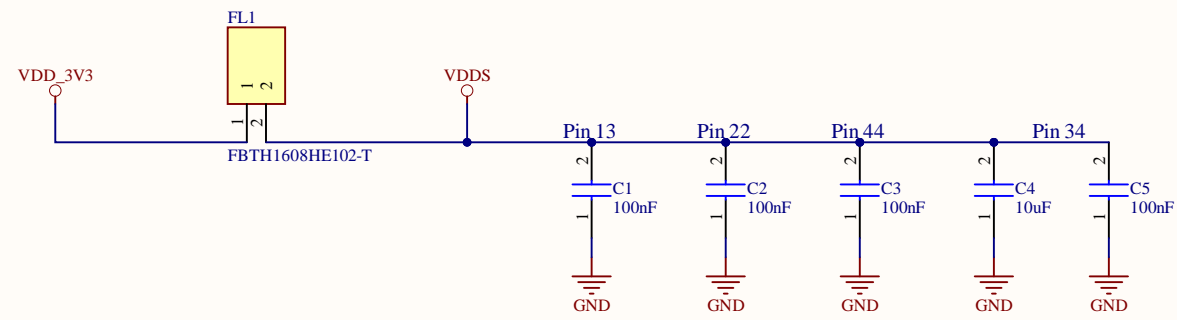
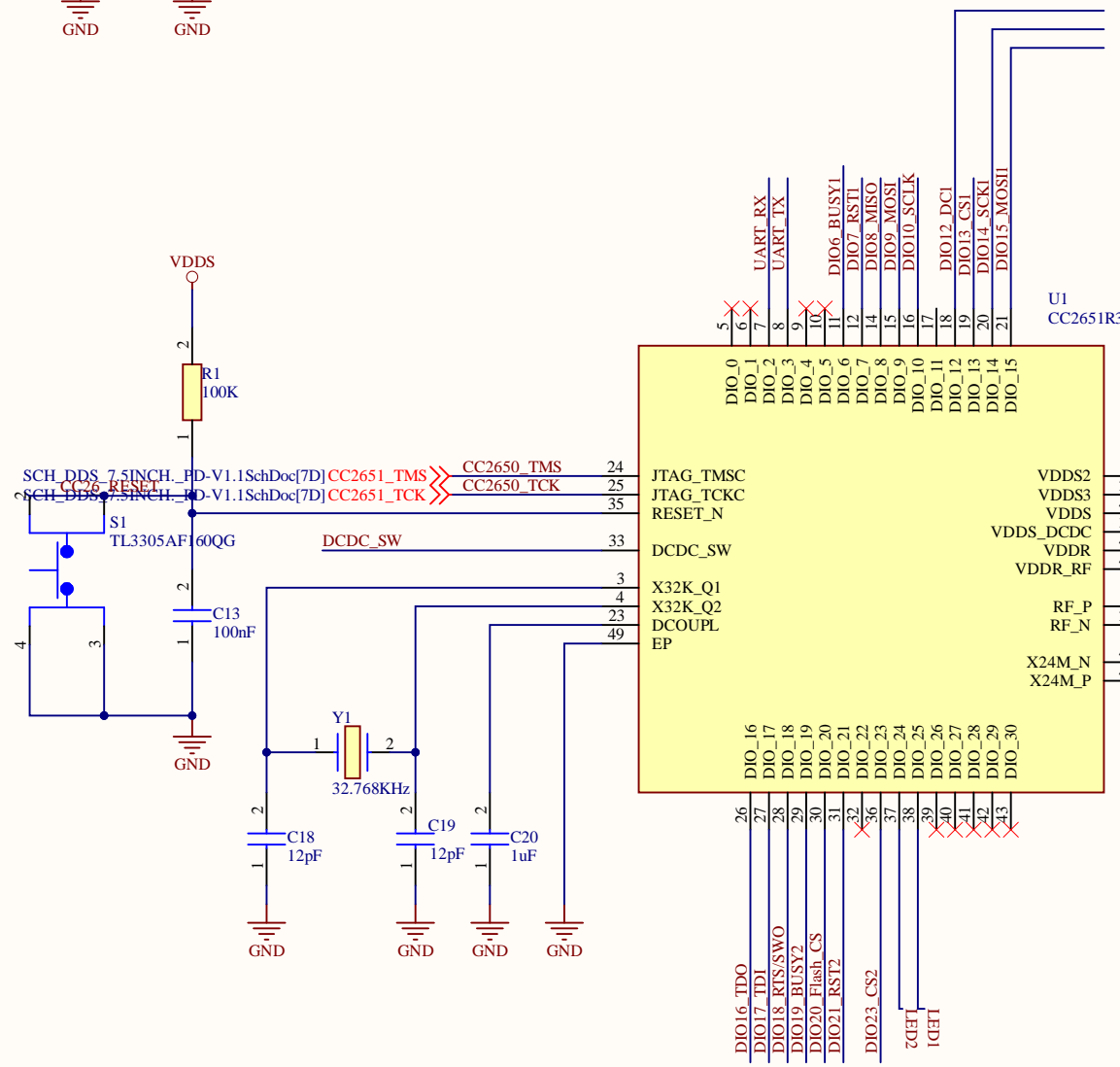


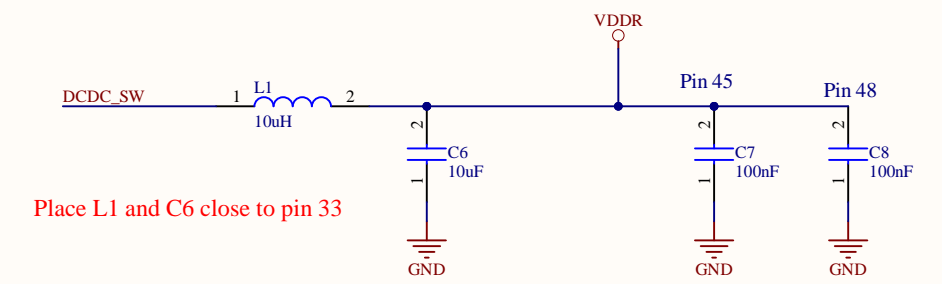
VDDS Decoupling Capacitors



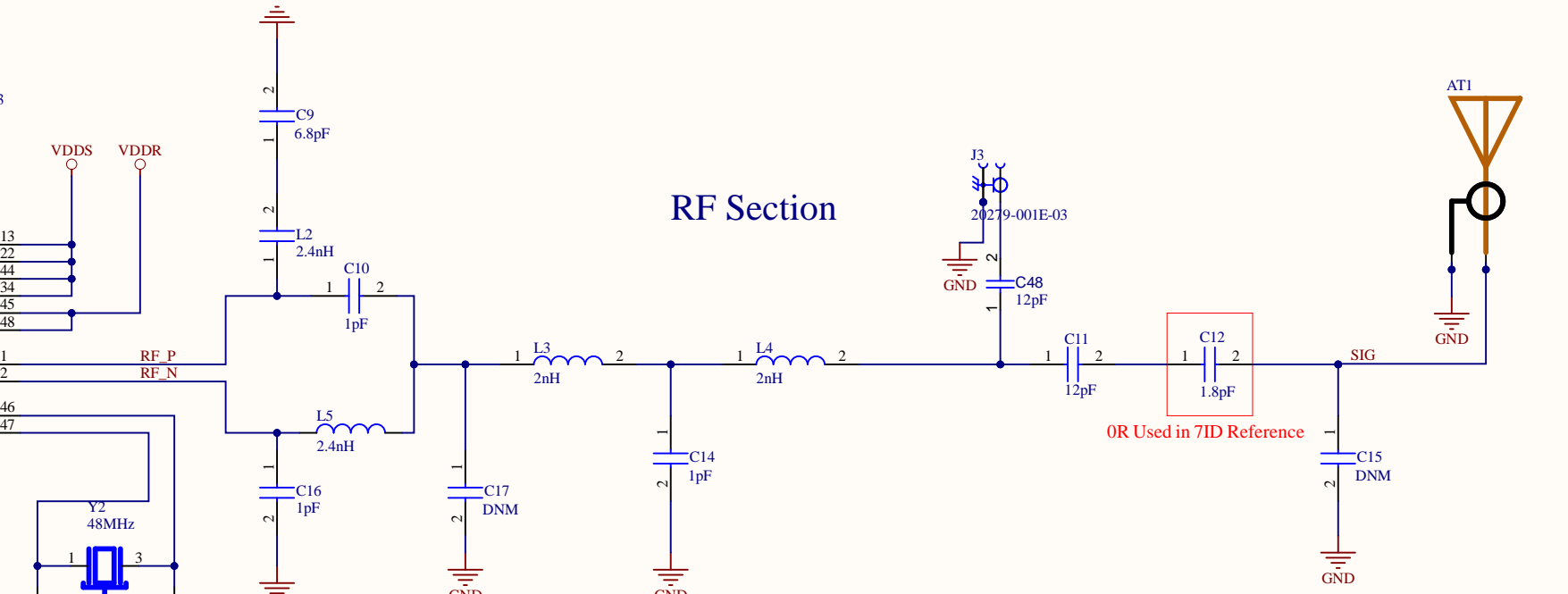
CC2651 IO Block



VDDR Decoupling Capacitors

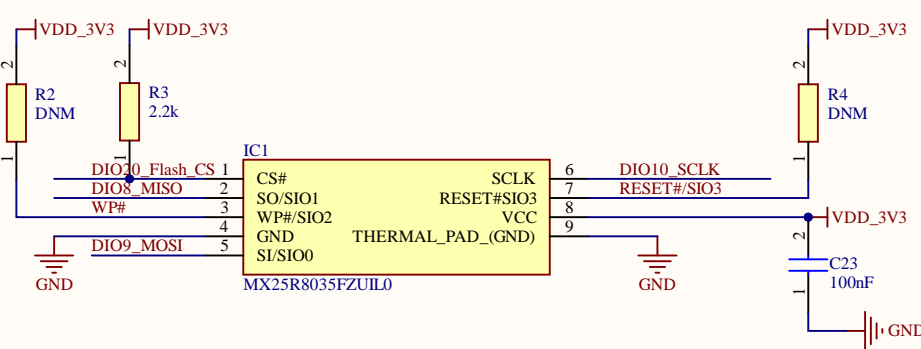


RF Section



Note that a DC-blocking capacitor must be used if antenna has DC-path to ground.

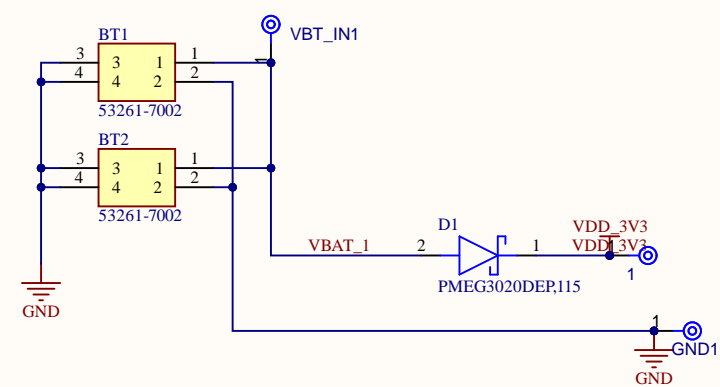
External Flash



Debugging Connector

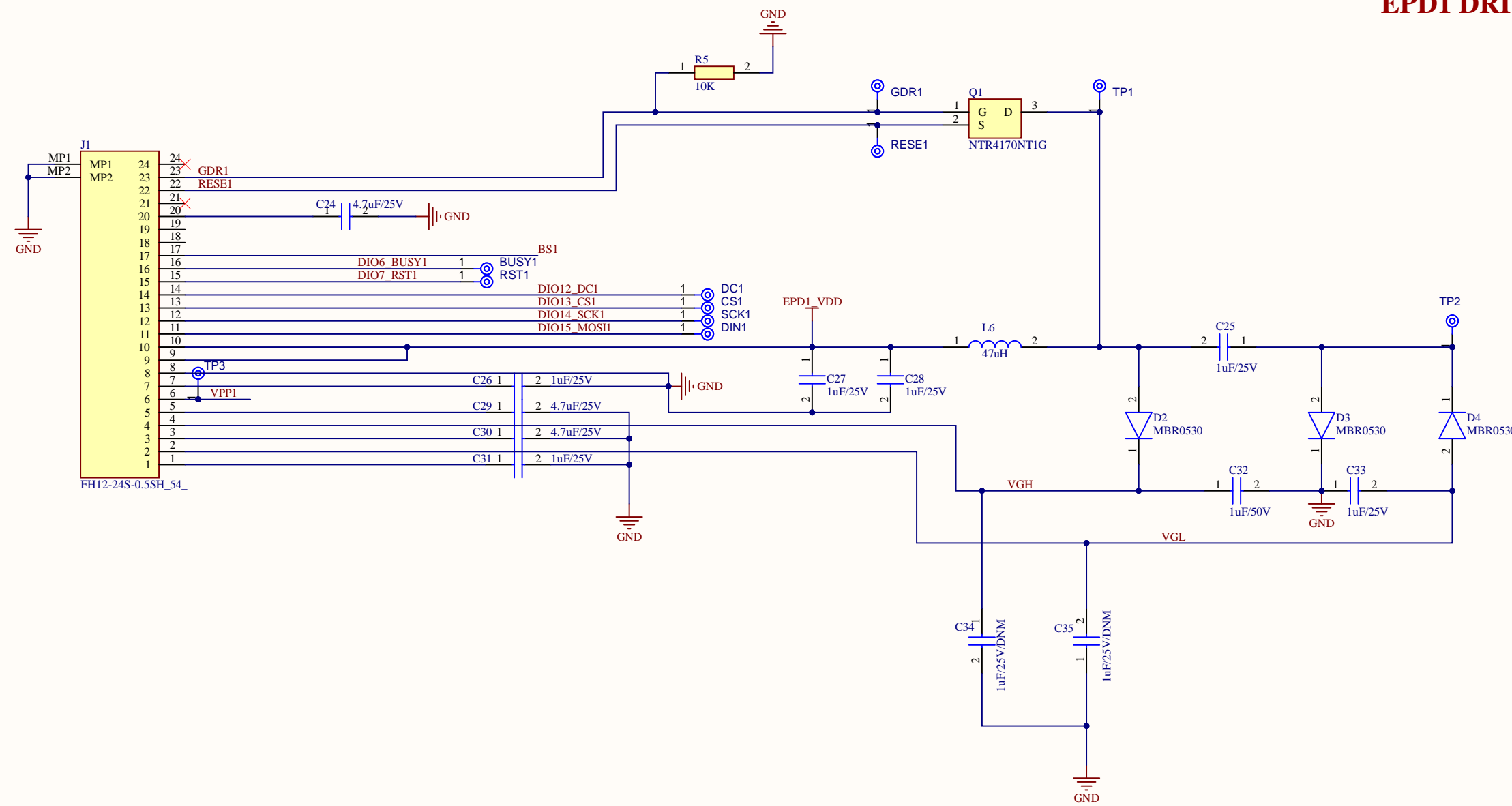


Battery Connector

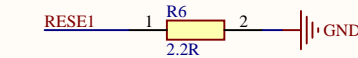


Title		
Size	Number	Revision
A2		
Date:	6/27/2024	Sheet of
File:	SCH_DDS_7.5INCH_PD-V1.1SchDoc	SDI Doc By:

EPD1 DRIVER

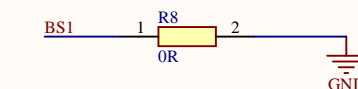


A (R1) - 0.47R	B (R2) - 3R
EL021TC1 EL026TR2 EL026TR3 EL029TR3	



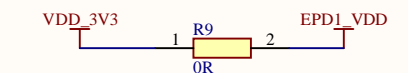
R76 & R77 value is according to EPD datasheet

BS1 IS OR or shor for the 4 line SPI

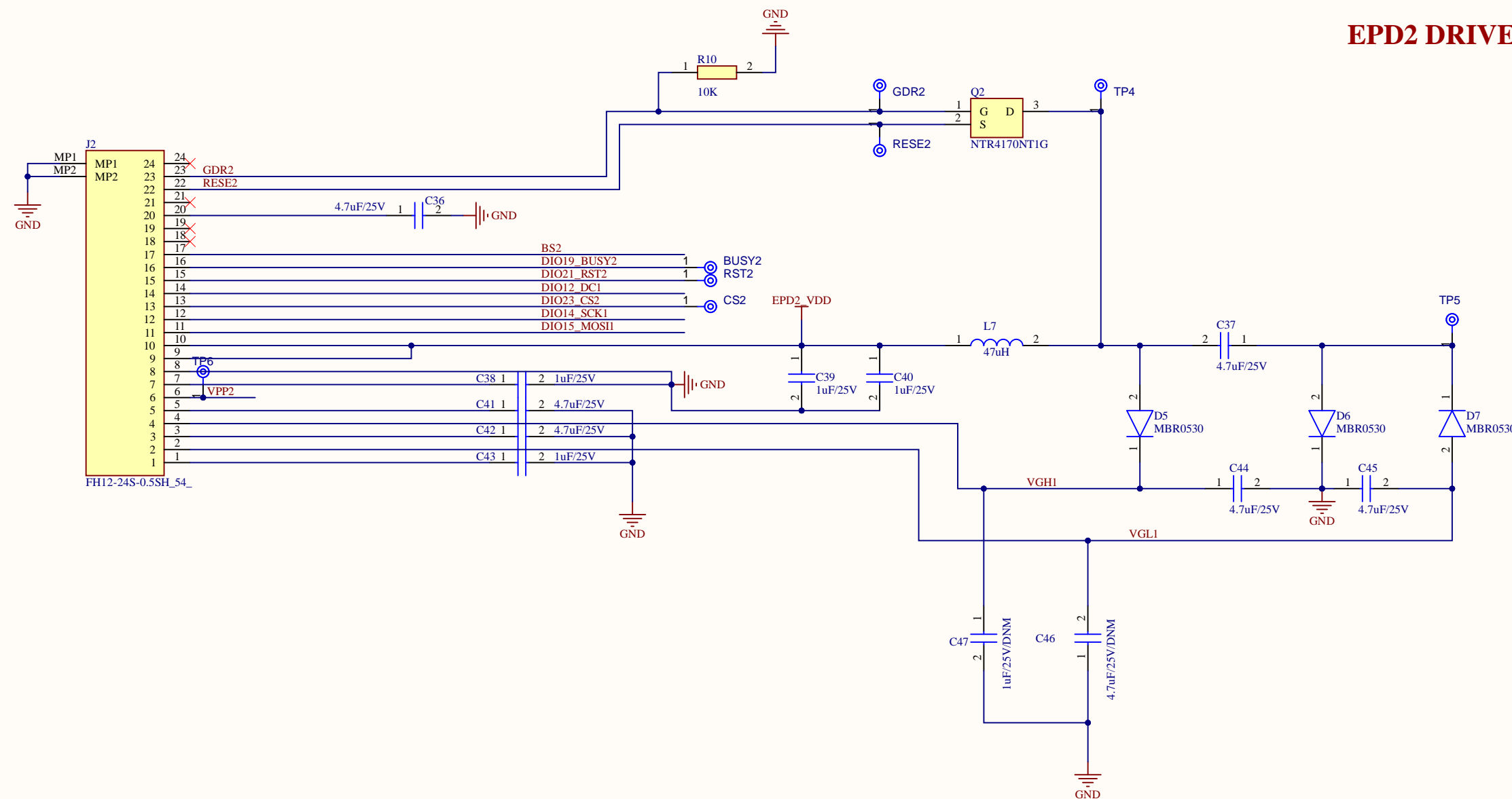


BS	VCC	GND
INTERFACE	3-LINE SPI	4-LINE SPI

SOLDER R10 FOR EPD1 POWER

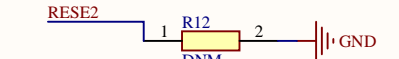
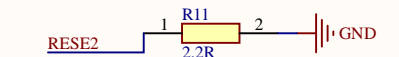


EPD2 DRIVER



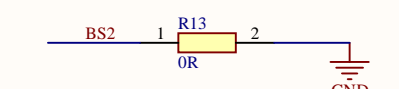
SOLDER R11 OR R12 ACCORDINGLY EPD

A (R1) - 0.47R	B (R2) - 3R
EL021TC1 EL026TR2 EL026TR3 EL029TR3	



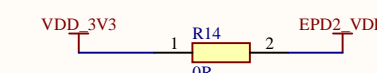
R13 value is according to EPD datasheet

SOLDER THE R14 OR R15 FOR SELECTING SPI



BS2	VCC	GND
INTERFACE	3-LINE SPI	4-LINE SPI

SOLDER FOR EPD2 POWER



Title		
Size	Number	Revision
A2		
Date:	6/27/2024	Sheet of
File:	SCH1_DDS_7.5INCH_PD-V1.1.SchDoc	Drawn By: