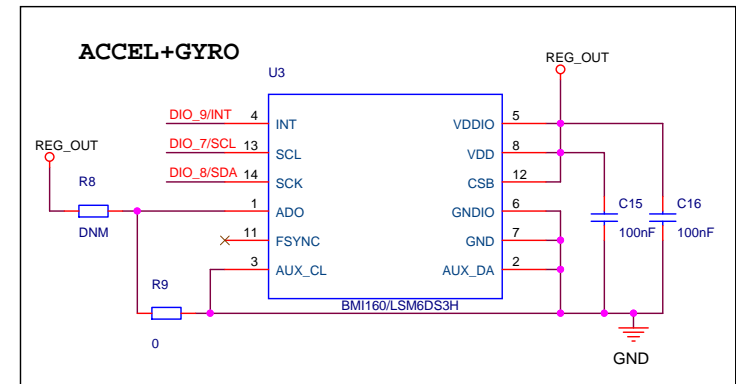
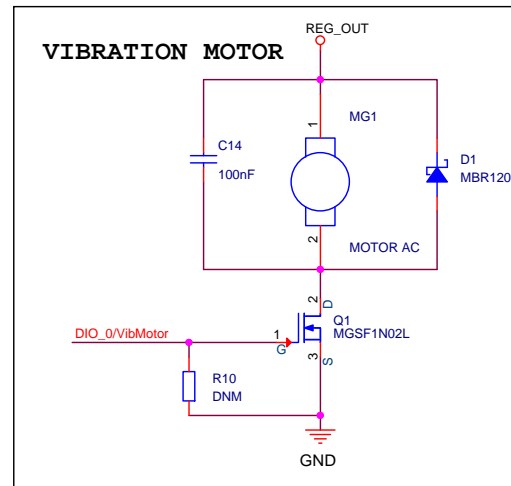
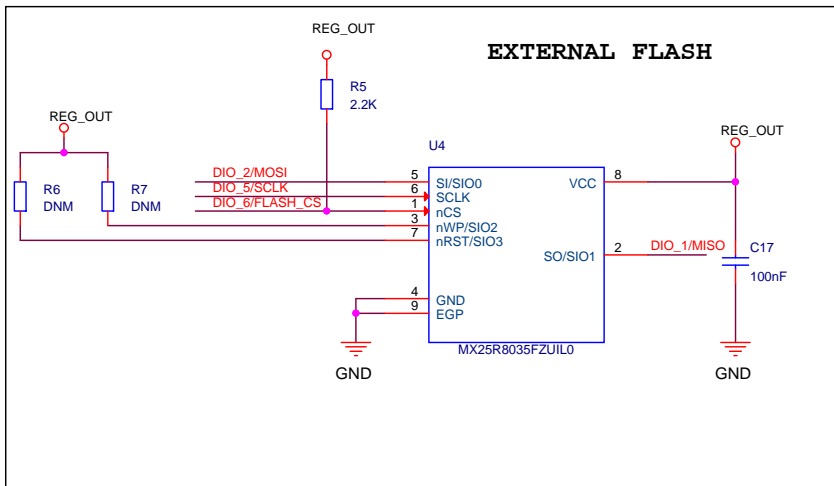
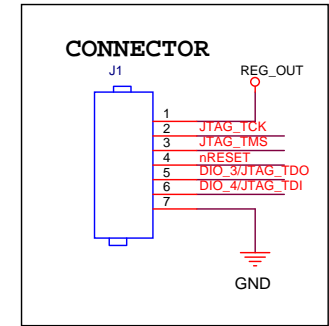
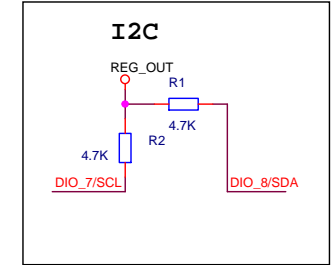


- DIO_0/VibMotor 8
- DIO_1/MISO 9
- DIO_2/MOSI 10
- DIO_3/JTAG_TDO 15
- DIO_4/JTAG_TDI 16
- DIO_5/SCLK 22
- DIO_6/FLASH_CS 23
- DIO_7/SCL 24
- DIO_8/SDA 25
- DIO_9/INT 26



Title	<Title>	
Size	Document Number	Rev
B	<Doc>	<RevCode>
Date:	Friday, September 08, 2017	Sheet 1 of 1