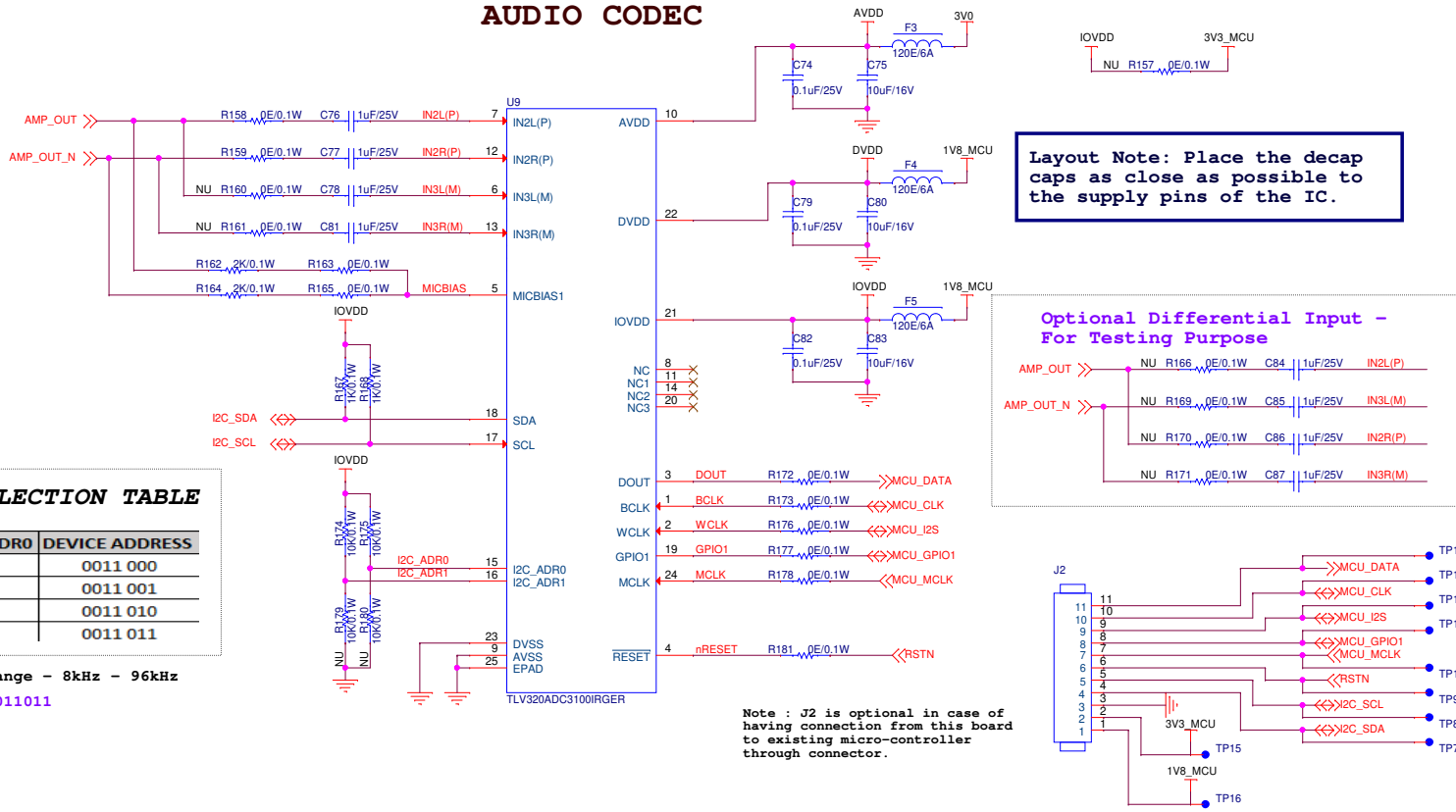
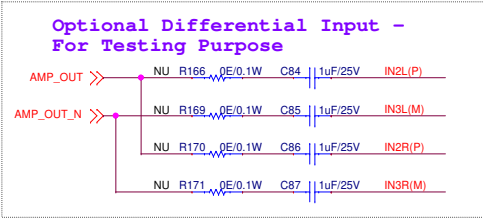


# AUDIO CODEC



**Layout Note:** Place the decap caps as close as possible to the supply pins of the IC.



**ADDRESS SELECTION TABLE**

I2C_ADR1	I2C_ADR0	DEVICE ADDRESS
0	0	0011 000
0	1	0011 001
1	0	0011 010
1	1	0011 011

Sampling Rate Range - 8kHz - 96kHz  
I2C ADDRESS : 0011011

Note : J2 is optional in case of having connection from this board to existing micro-controller through connector.