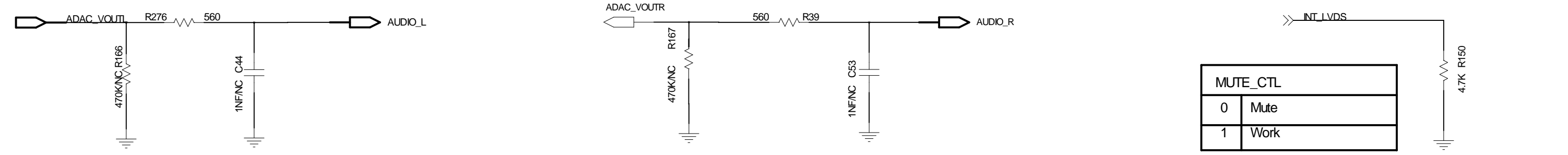
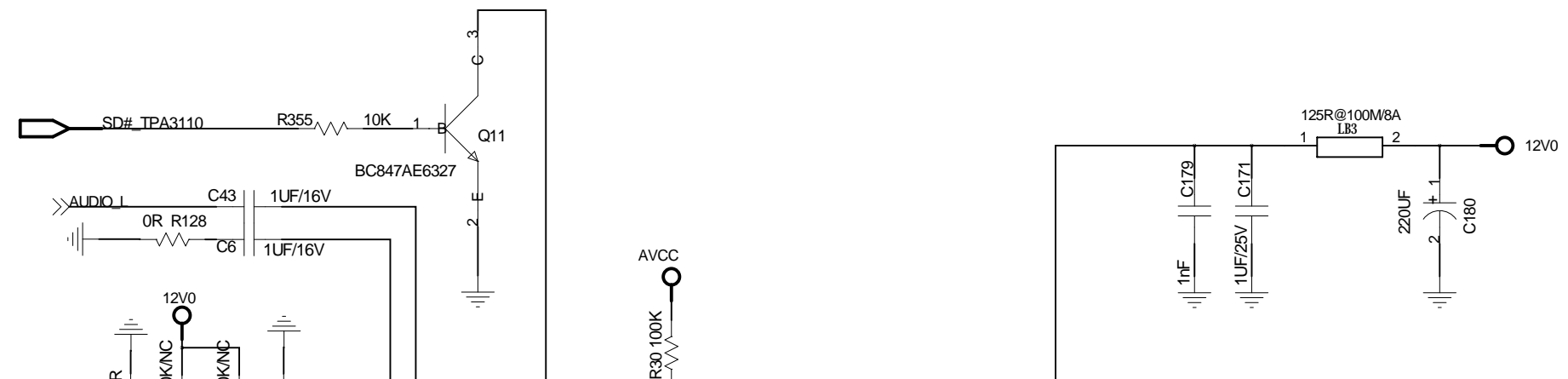


AUDIO OUTPUT(3Vrms/2Vrms)

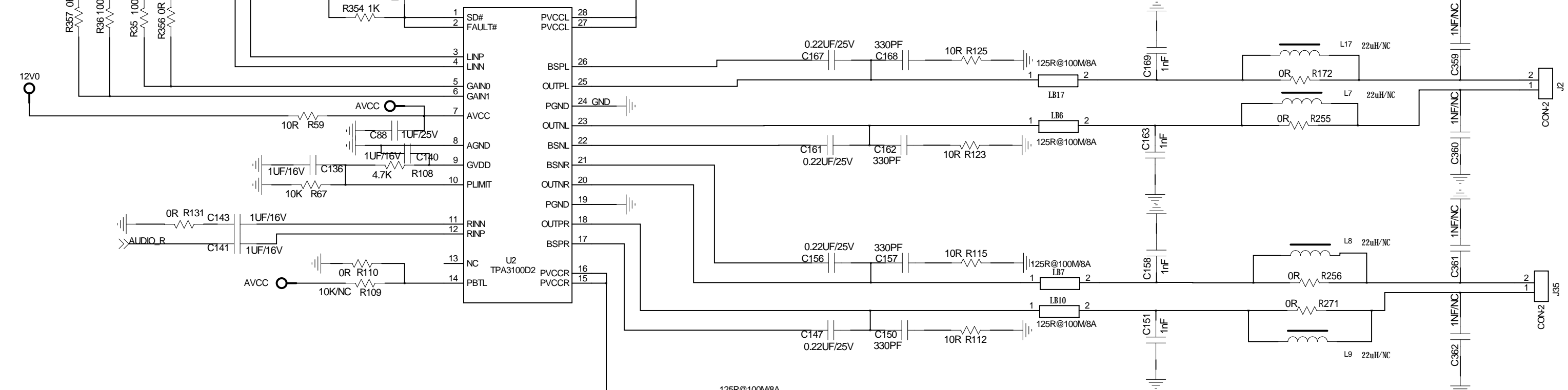
A



B



C



D

The type and specification of the components refer to the BOM

DESIGNED	LUCAN 00345565	HI3798M2HDMG	VER	A	PART_NUMBER	03030001	NA	2018-07-19
REVIEWED	ZOUJIE 182267						ECA NO	DATE
							00001234	
							SHEET 16 OF 26	
							HiSilicon Tech Co., Ltd.	

A

B

C

D

1 2 3 4 5 6 7 8