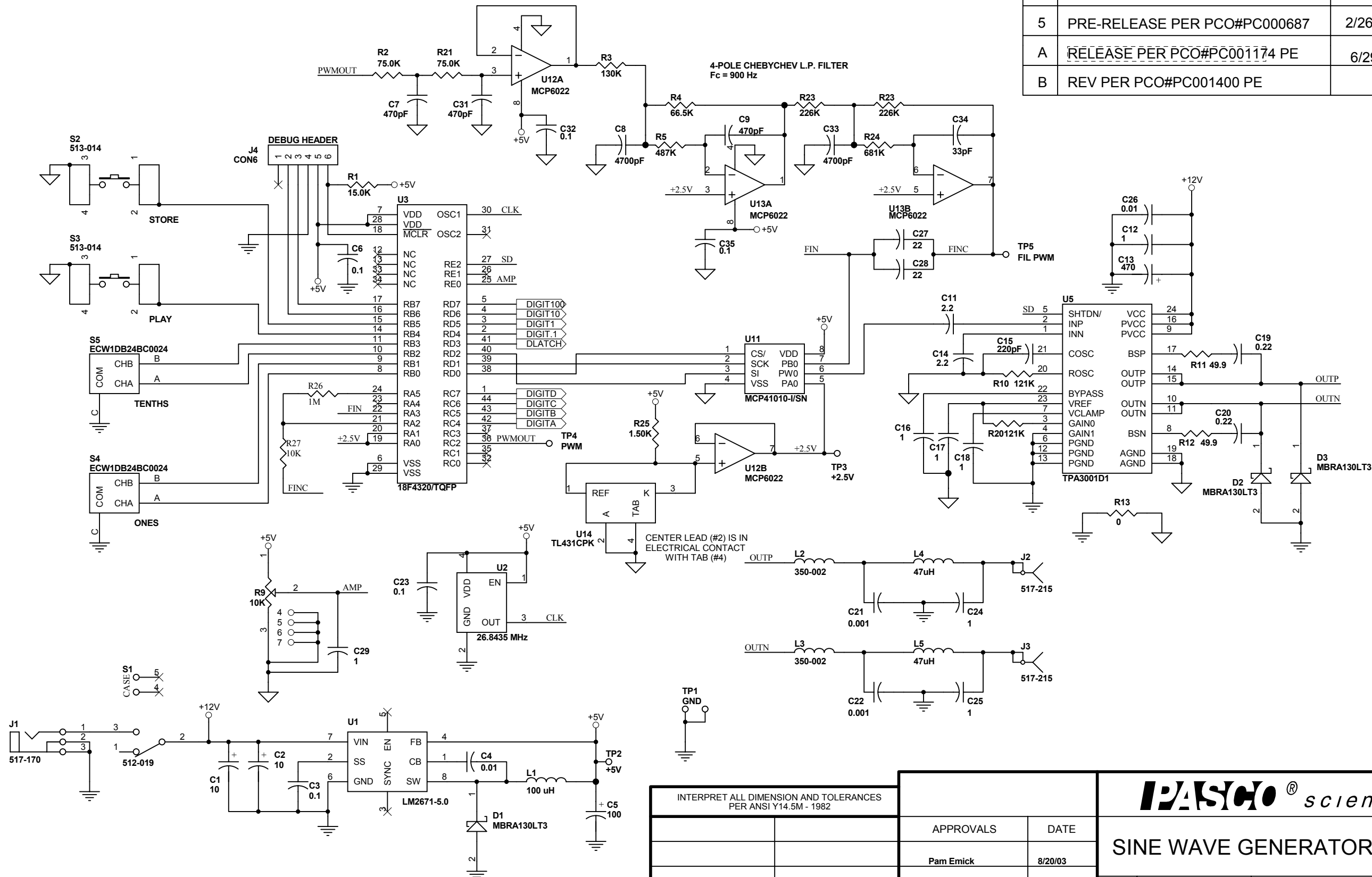
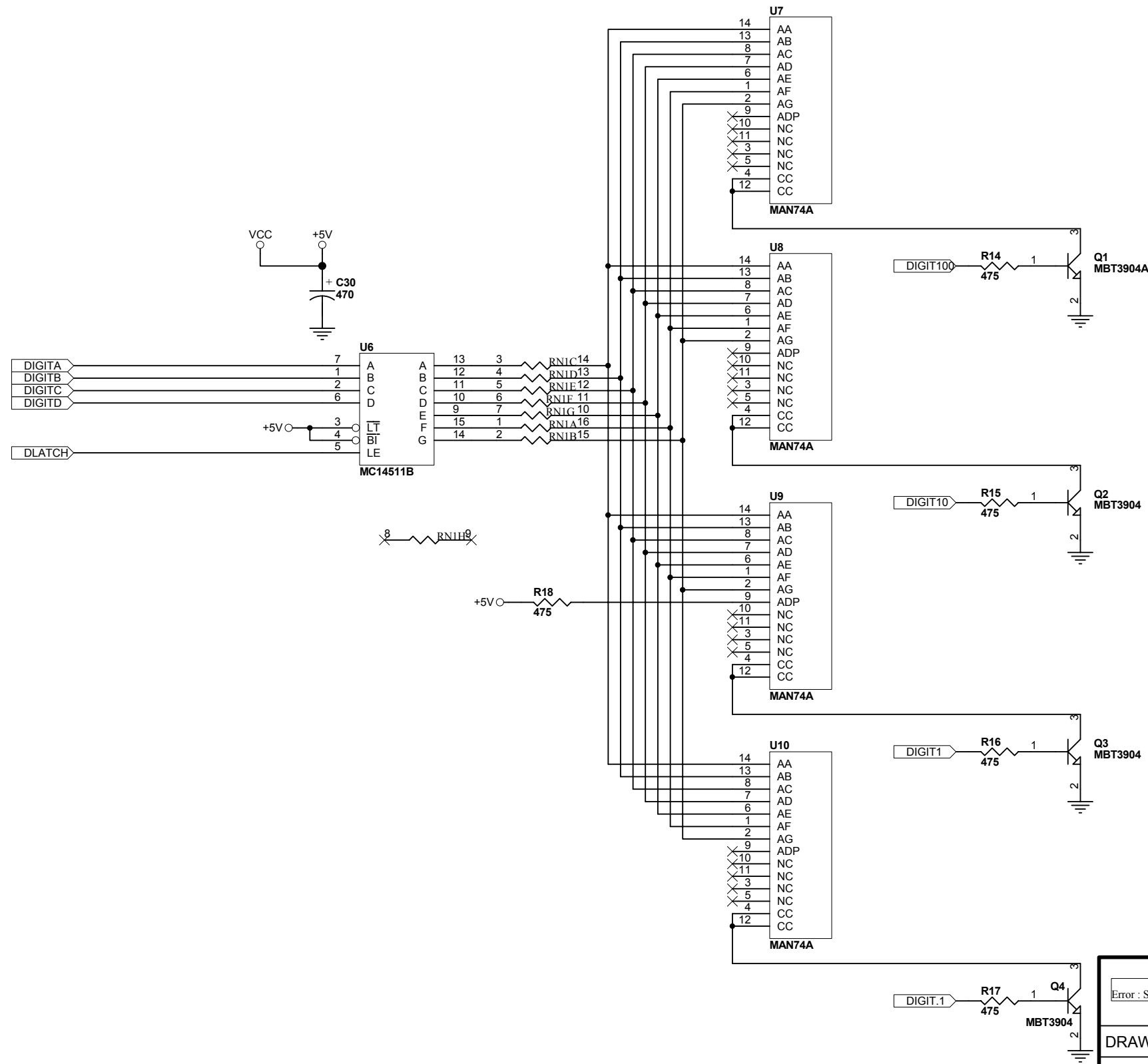


REVISIONS			
REV	DESCRIPTION	DATE	APPROVED
5	PRE-RELEASE PER PCO#PC000687	2/26/04	FEL
A	RELEASE PER PCO#PC001174 PE	6/29/04	FEL
B	REV PER PCO#PC001400 PE		



INTERPRET ALL DIMENSION AND TOLERANCES PER ANSI Y14.5M - 1982					
APPROVALS	DATE				
Pam Emick	8/20/03	<b>SINE WAVE GENERATOR</b>			
004-08673	WA-9867				
NEXT ASSY	USED ON	SIZE	FSCM NO.	DWG. NO.	REV
		B		956-08673	B
APPLICATION		SCALE: NONE		SHEET 1 / 2	



Error : SngLogo.WMF file not found.			
DRAWN	Fred Luffman	SIZE	B
ISSUED		FSCM NO.	
		DWG. NO.	956-08673
		SCALE: NONE	
		SHEET	2 / 2
		REV	B