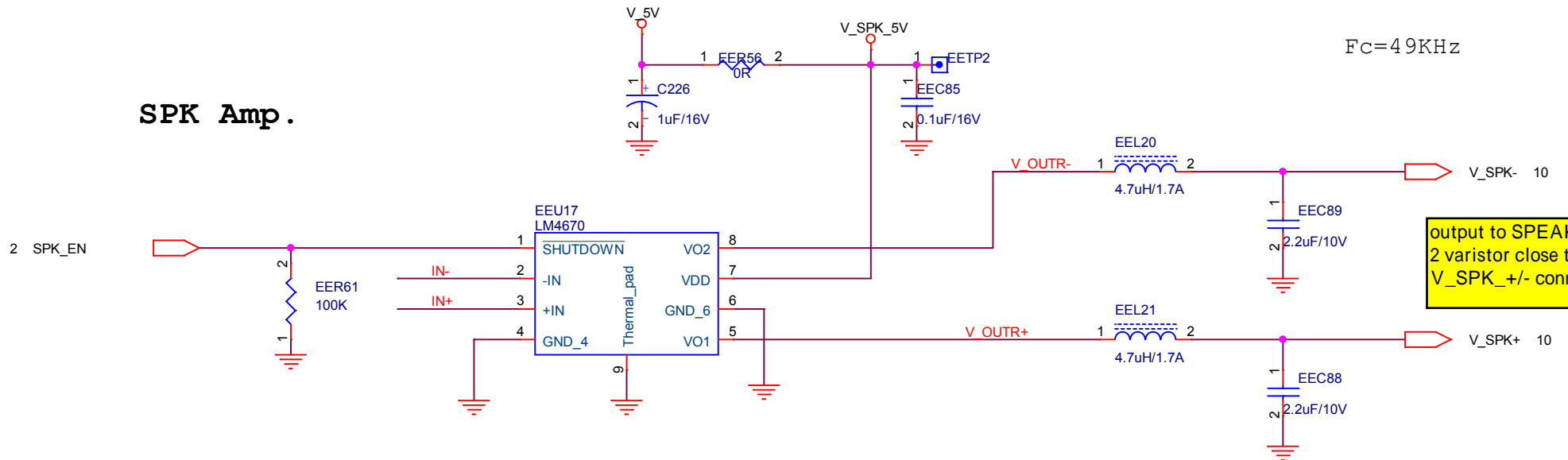


### SPK Amp.



output to SPEAKER with 2 varistor close to V\_SPK\_+/- connector