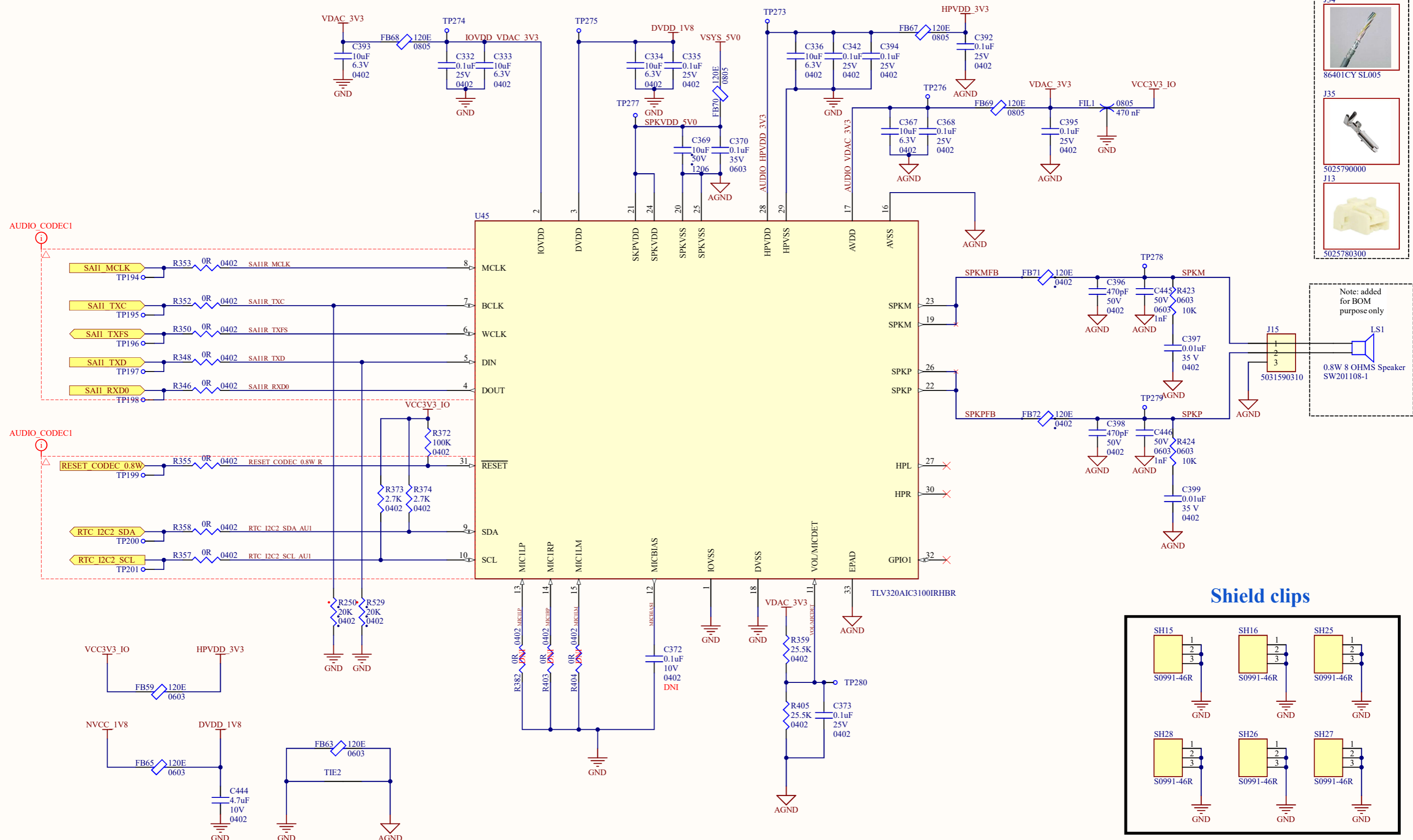


Audio Internal Codec 0.8W Speaker



Note: added for BOM purpose only

J34
86401CY SL005

J35
5025790000
J13

5025780300

Note: added for BOM purpose only

J15
5031590310

LS1
0.8W 8 OHMS Speaker
SW201108-1

Shield clips

SH15
S0991-46R

SH16
S0991-46R

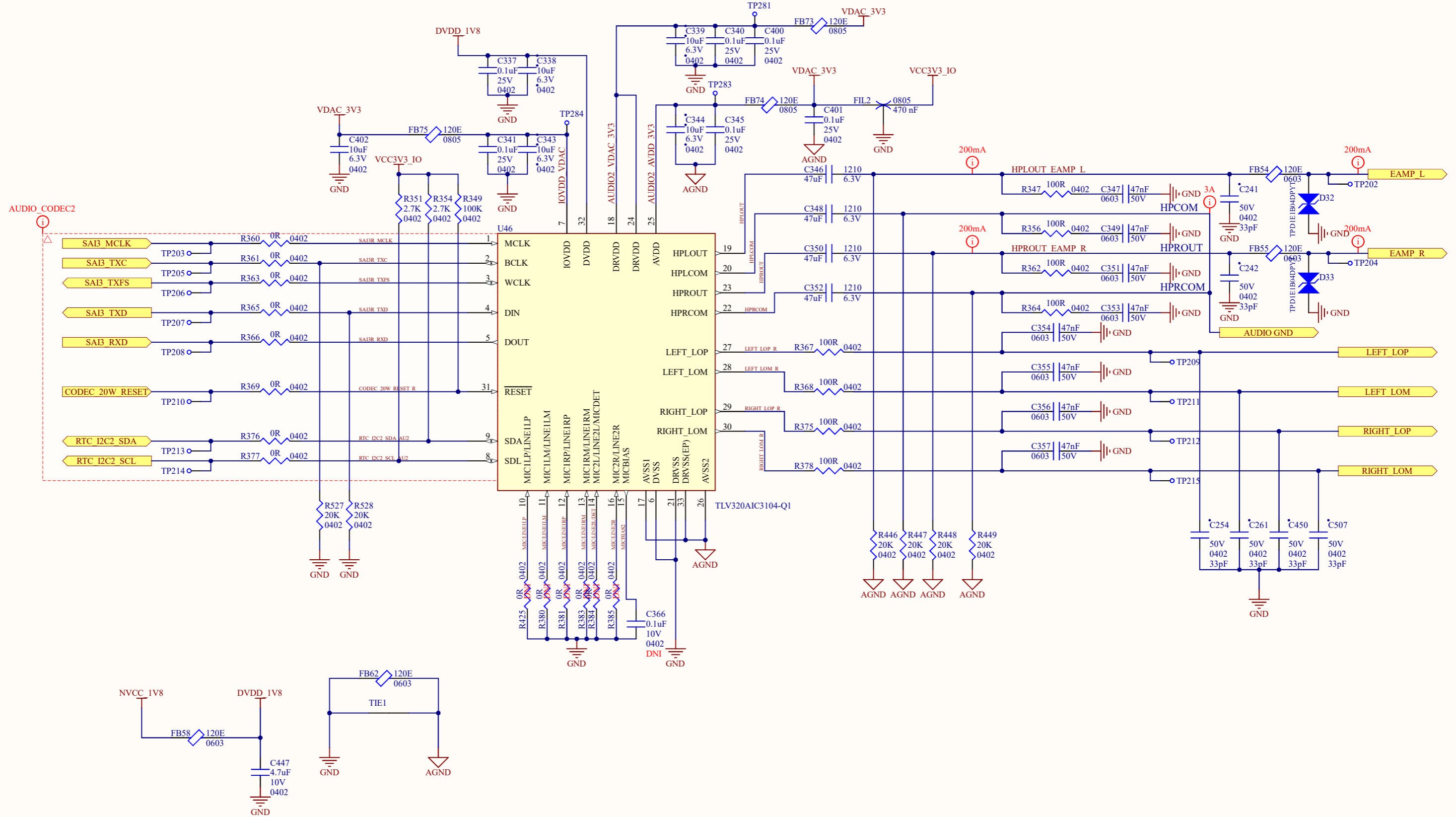
SH25
S0991-46R

SH28
S0991-46R

SH26
S0991-46R

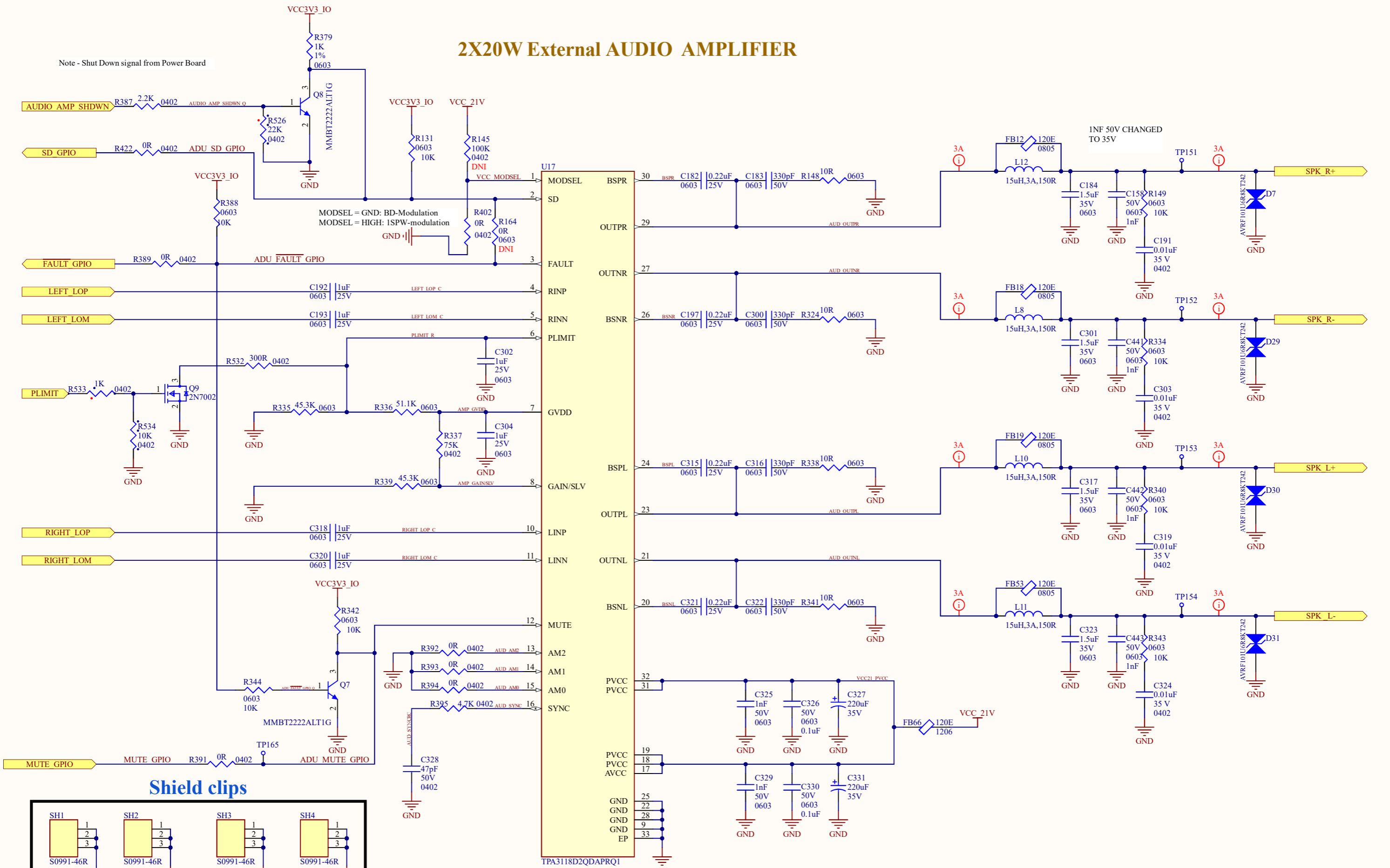
SH27
S0991-46R

Audio Codec for 20W x 2 Speaker



2X20W External AUDIO AMPLIFIER

Note - Shut Down signal from Power Board



Shield clips

