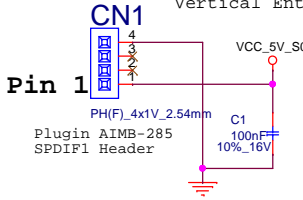
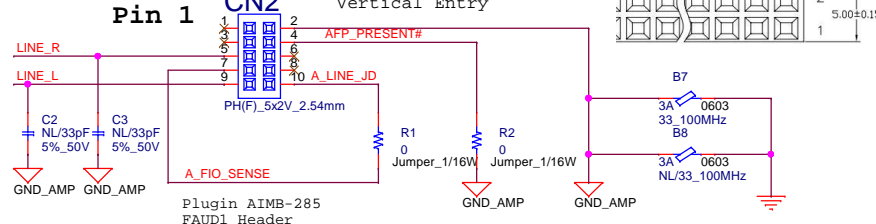


1653007039-01  
 Jih Vei 22N8561-04S10B-01G  
 Vertical Entry



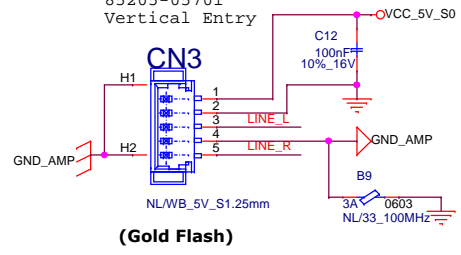
1653005407-01  
 Jih Vei 22N8562-10S10B-01G  
 Vertical Entry



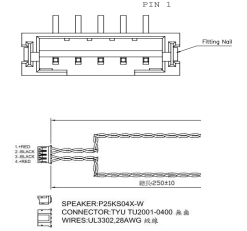
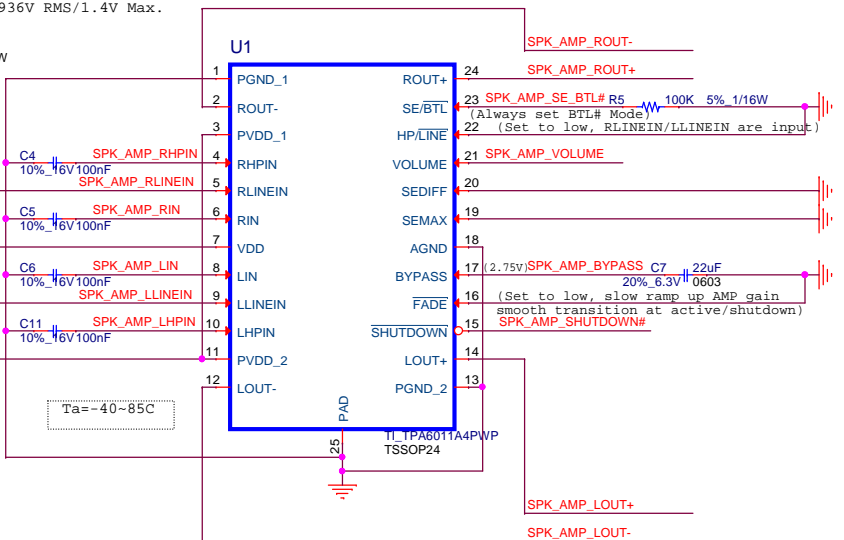
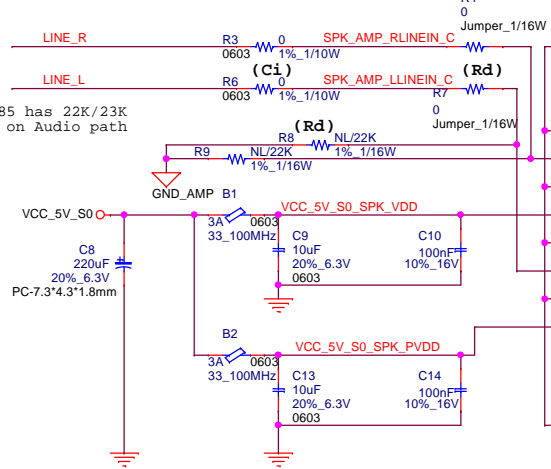
Note  
 1. Pin 4 tie to GND, Analog Front audio panel present.  
 2. Pin 10, AIMP-285 39.2K to GND, tie pin 7 (jack plugin detect)  
 to pin 10. CODEC enable AIMP-285 LINE2 port  
 3. Measured AIMP-285 FAUD1 Connector audio Output level 0.936V RMS/1.4V Max.  
 (WIN10 x64 by Media Player play 0dB\_1KHz file)

**2nd Audio/PWR In (Reserved)**

1655004032 ACES  
 85205-05701  
 Vertical Entry



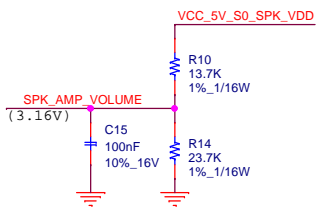
Note  
 1. AIMP-285 has 22K/23K R Divider on Audio path



**Speaker**

1655004131  
 ACES 88298-0401  
 Side Entry (SMD)

Speaker  
 1750008445-01  
 VECCO PB25KS04X-W-9NM1  
 NOM: 2W / MAX: 3W



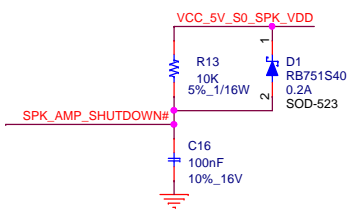
VOLUME:  
 Setup Speaker gain by  
 VOLUME DC voltage  
 Set 3.16V For 10dB Gain

Ci  
 Reserve DC Blocker  
 Cap.  
 AIMP-285 already has 22uF  
 (C389,C390)

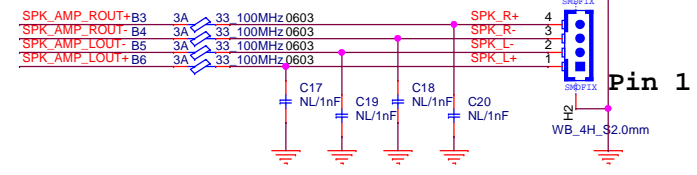
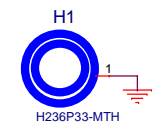
SEDIFF:  
 Setup Headpne gain by  
 VOLUME - SEDIFF DC voltage  
 NO USE

Rd  
 R divider network.  
 Reserved.  
 AIMP-285 already has  
 22K/23K R Divider

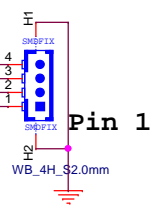
SEMAX:  
 Setup Headpne MAX  
 volume by DC voltage.  
 NO USE



Shutdown#  
 Low to shutdown AMP



**CN4**



Pin 1

WB\_4H\_S2.0mm