

Figure 28. Output Mode select

<Question>

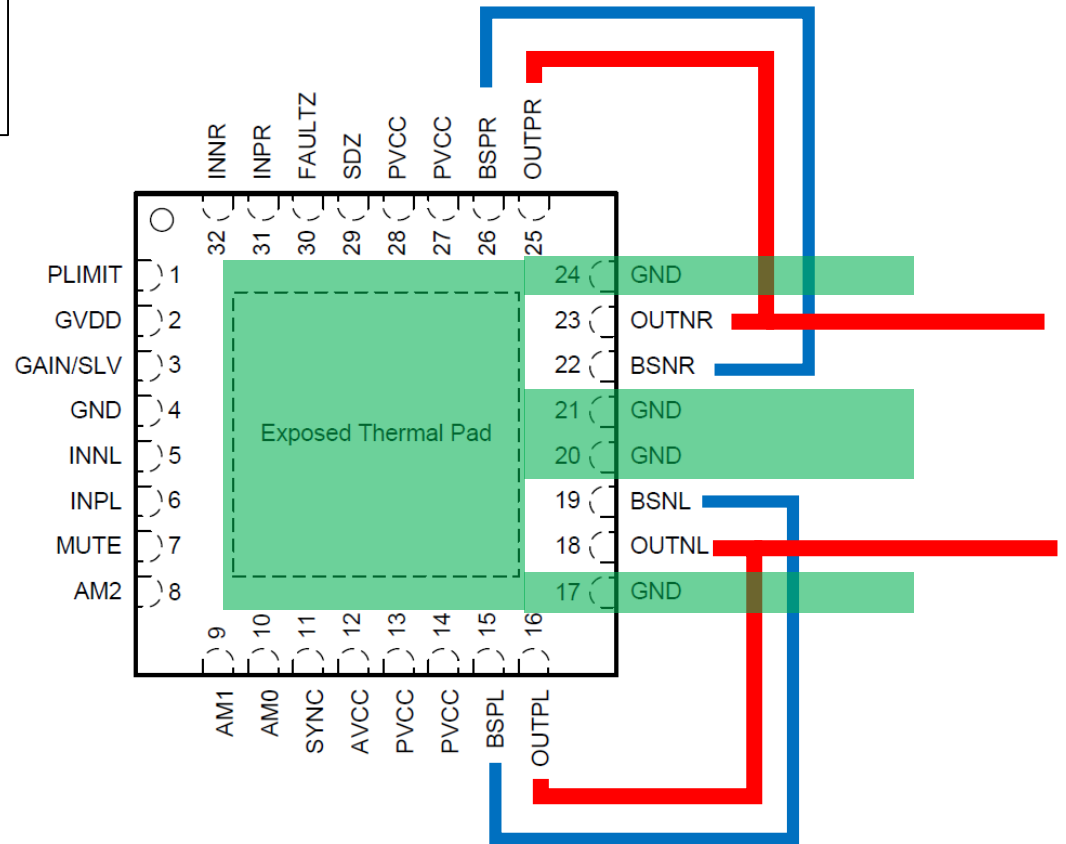
Our customer uses TPA3131D2 with PBTL connections.

So, the board pattern will be as right figure.

So, our customer considered two methods on the next page.

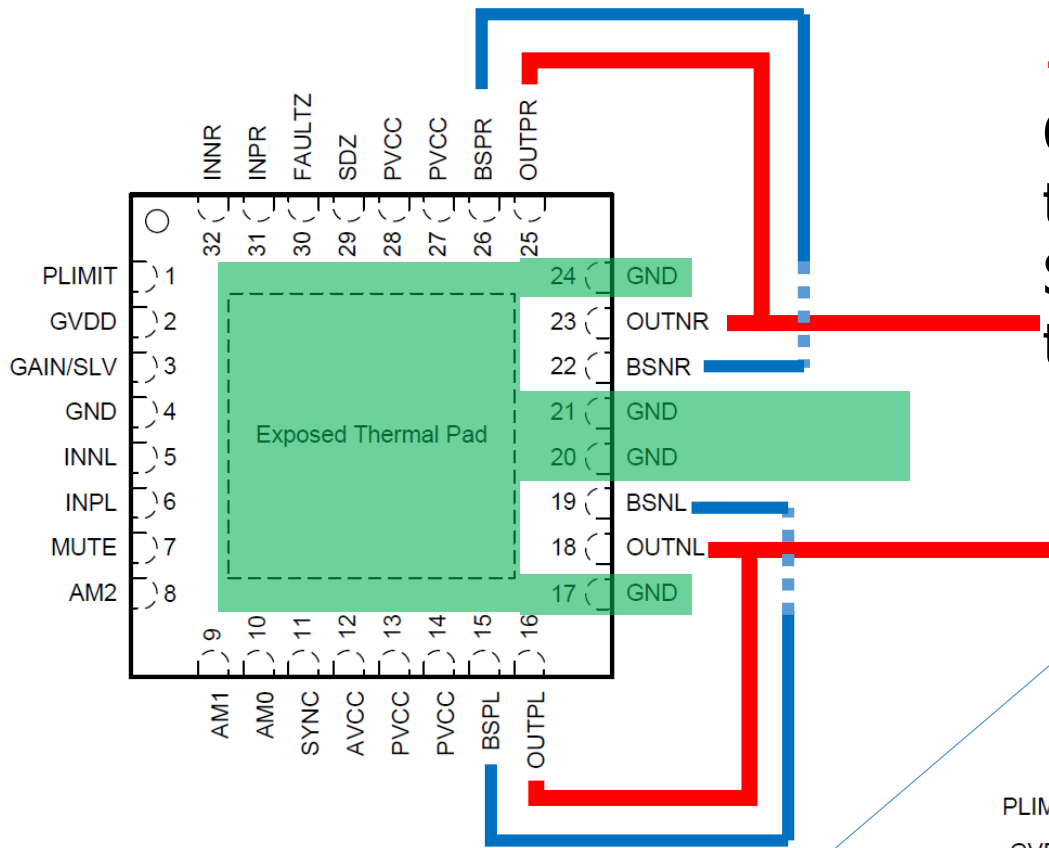
Which is good?

Or could you let us know your recommendation?



<Method1>

OUTPUT has priority compared to BSNX pattern.
So, BSNX pattern connected to each other through via.



<Method2>

GND has priority compared to BSNX/OUTPUTX pattern.
So, BSNX/OUTPUTX pattern connected to each other through via.

