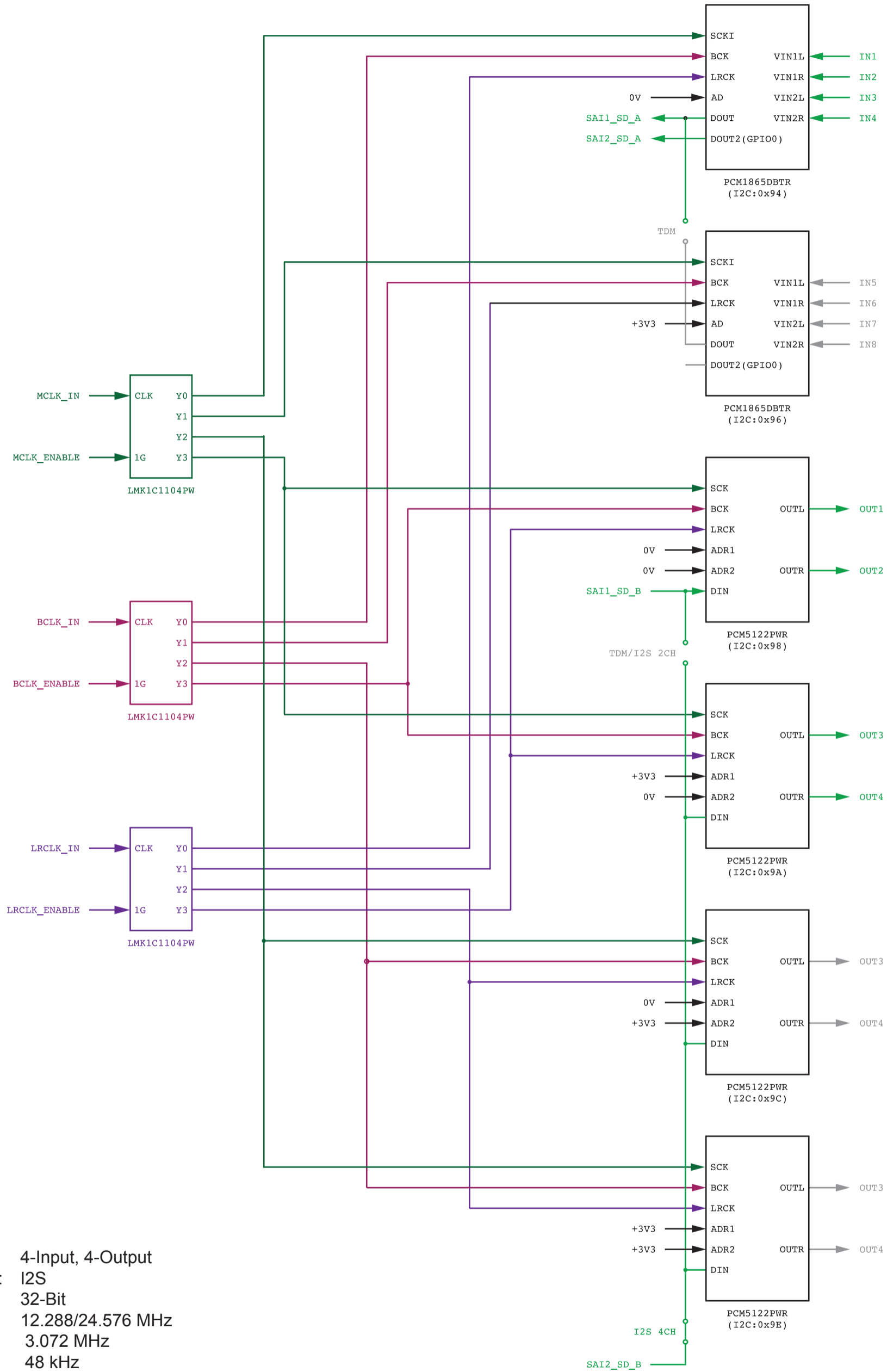


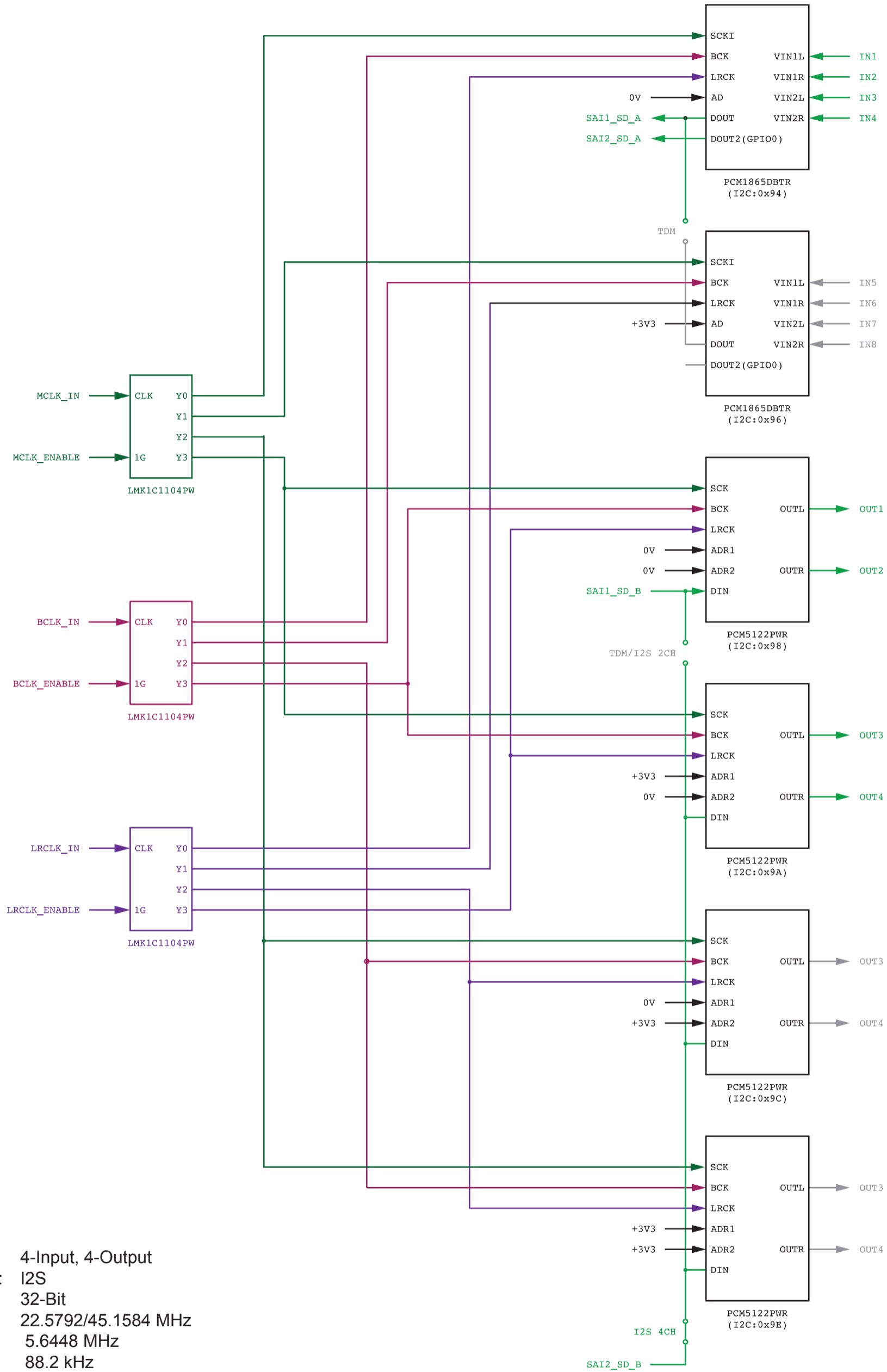
Operation: 4-Input, 4-Output  
 Clock Mode: I2S  
 Audio Data: 32-Bit  
 MCLK: 11.2896/22.5792 MHz  
 BCLK: 2.8224 MHz  
 LRCLK: 44.1 kHz

Audio Converter Development Board		
Drawing No.: F1008P	Revision: A	Sheet: 1 of 10
Drawn By: ADW	Date Drawn: 2026-02-22	



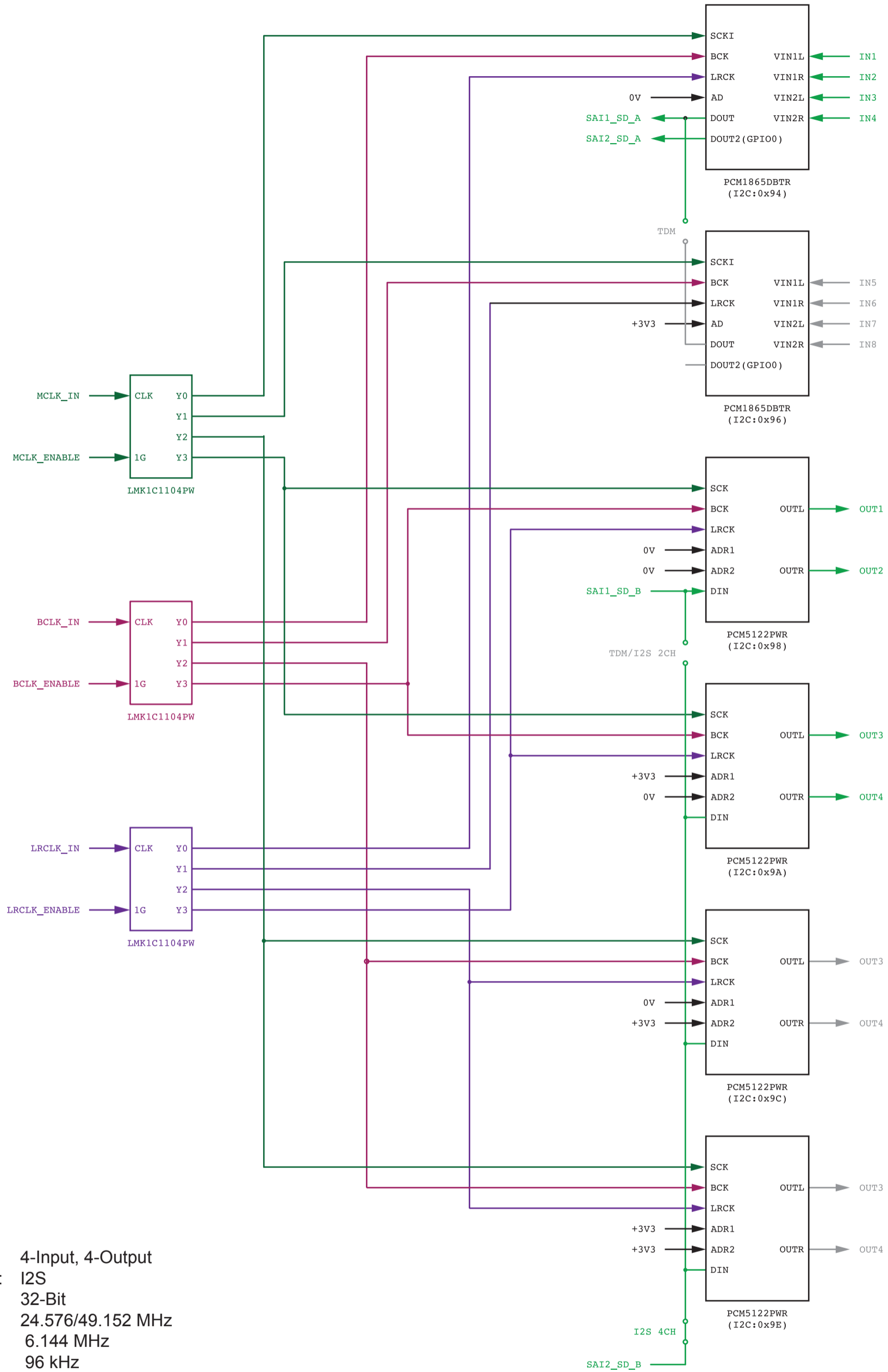
Operation: 4-Input, 4-Output  
 Clock Mode: I2S  
 Audio Data: 32-Bit  
 MCLK: 12.288/24.576 MHz  
 BCLK: 3.072 MHz  
 LRCLK: 48 kHz

Audio Converter Development Board		
Drawing No.: F1008P	Revision: A	Sheet: 2 of 10
Drawn By: ADW	Date Drawn: 2026-02-22	



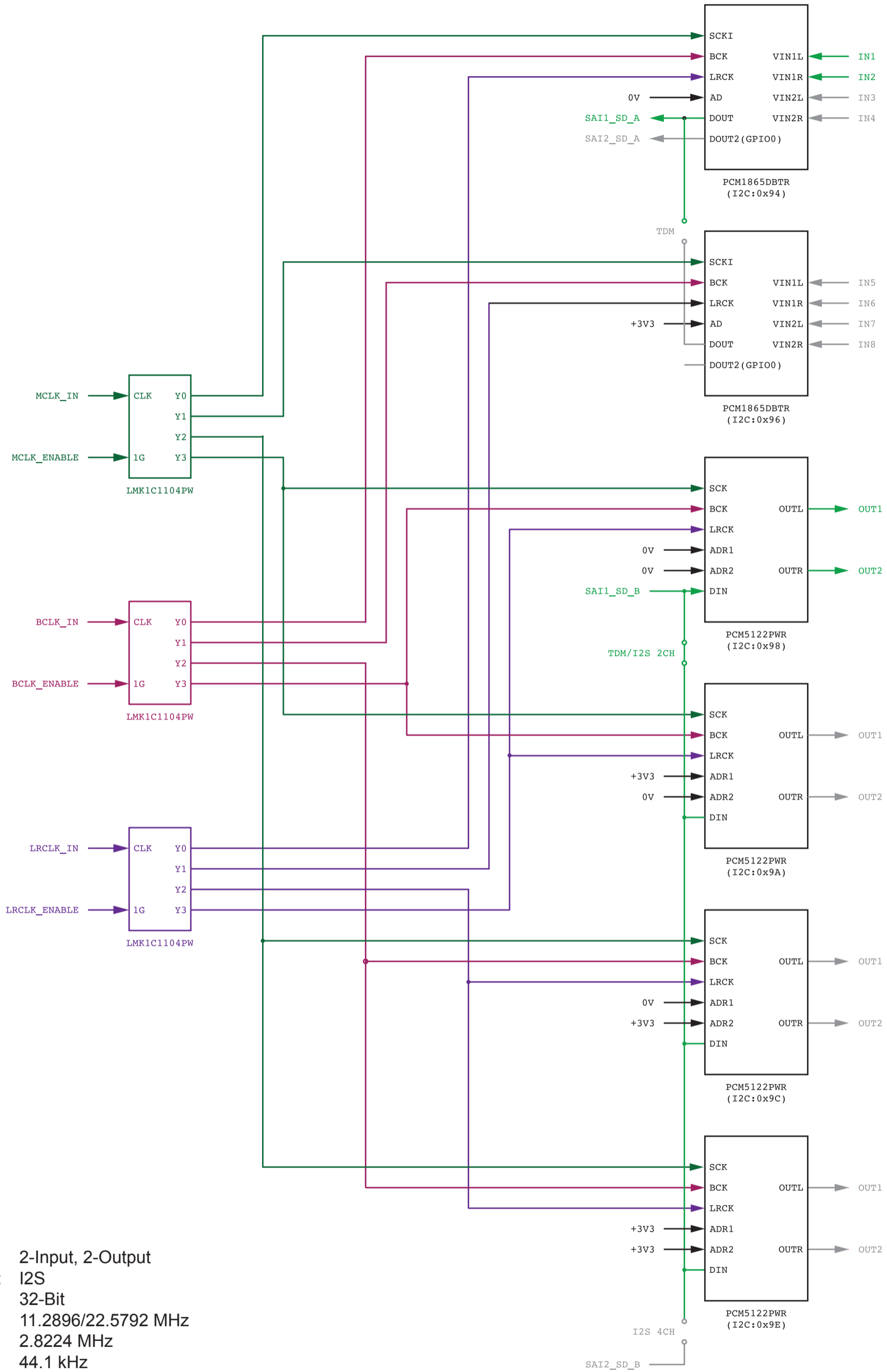
Operation: 4-Input, 4-Output  
 Clock Mode: I2S  
 Audio Data: 32-Bit  
 MCLK: 22.5792/45.1584 MHz  
 BCLK: 5.6448 MHz  
 LRCLK: 88.2 kHz

Audio Converter Development Board		
Drawing No.: F1008P	Revision: A	Sheet: 3 of 10
Drawn By: ADW	Date Drawn: 2026-02-22	



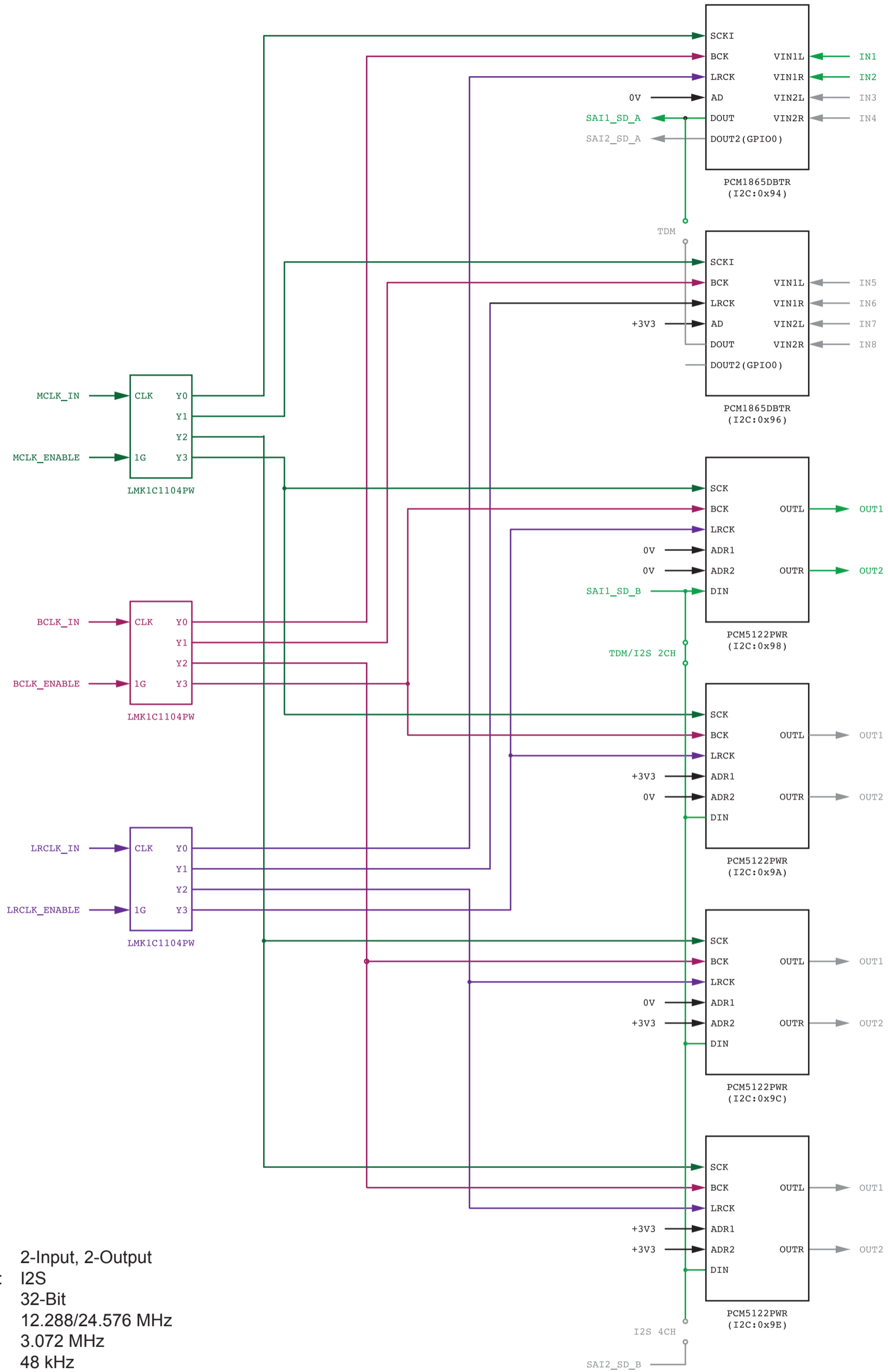
Operation: 4-Input, 4-Output  
 Clock Mode: I2S  
 Audio Data: 32-Bit  
 MCLK: 24.576/49.152 MHz  
 BCLK: 6.144 MHz  
 LRCLK: 96 kHz

Audio Converter Development Board		
Drawing No.: F1008P	Revision: A	Sheet: 4 of 10
Drawn By: ADW	Date Drawn: 2026-02-22	



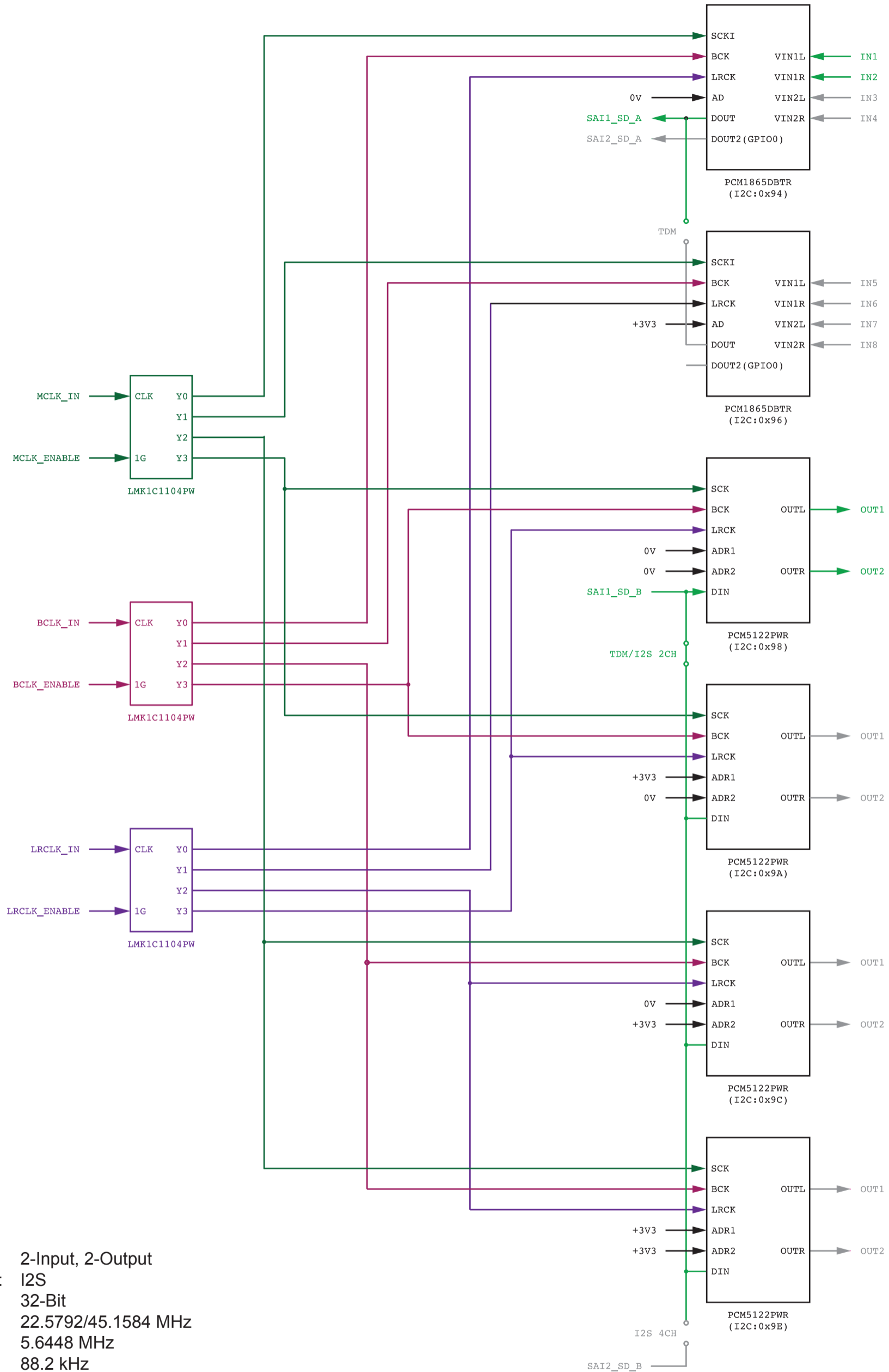
Operation: 2-Input, 2-Output  
 Clock Mode: I2S  
 Audio Data: 32-Bit  
 MCLK: 11.2896/22.5792 MHz  
 BCLK: 2.8224 MHz  
 LRCLK: 44.1 kHz

<b>Audio Converter Development Board</b>		
Drawing No.: F1008P	Revision: A	Sheet: 5 of 10
Drawn By: ADW	Date Drawn: 2026-02-22	



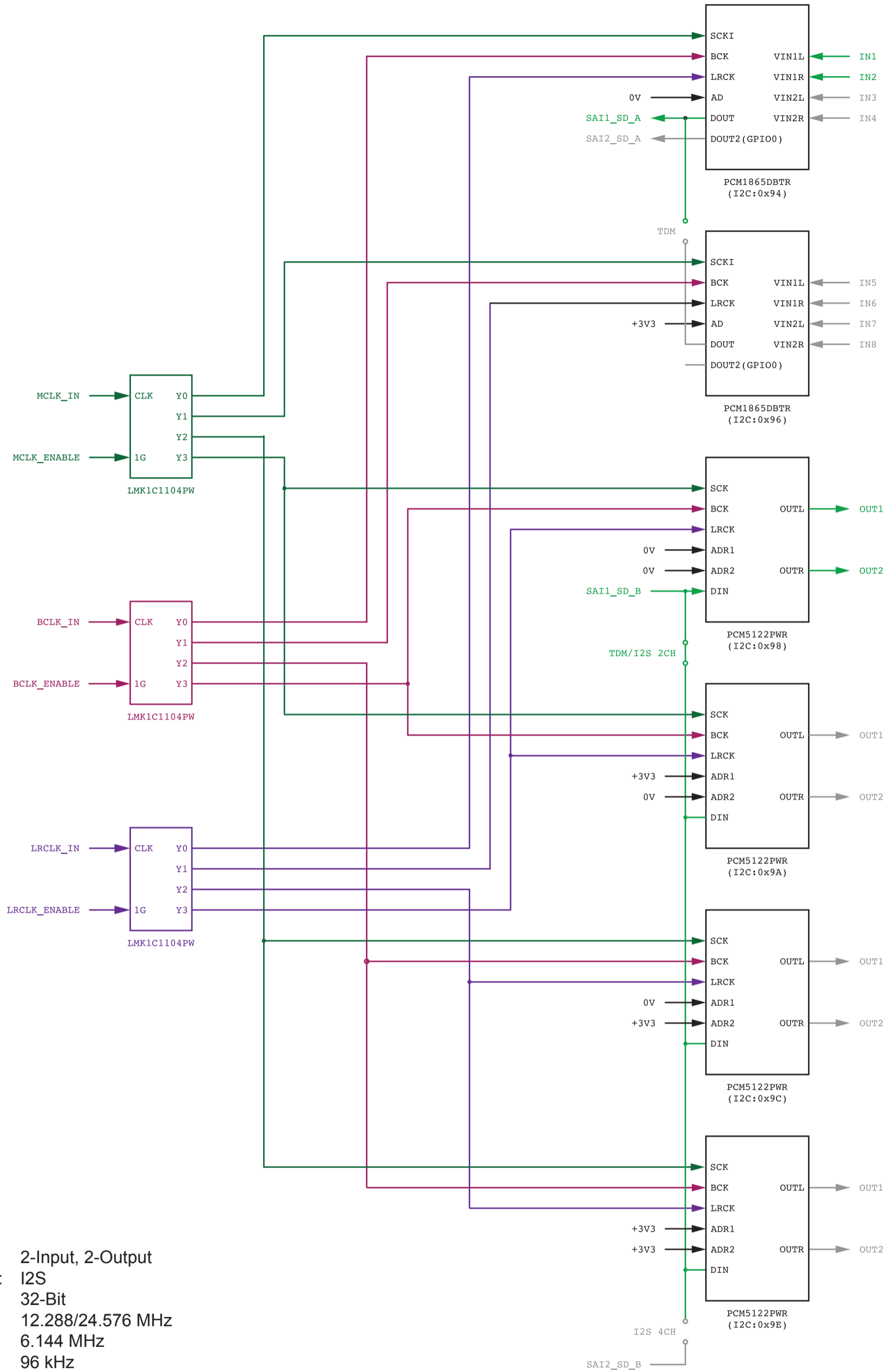
Operation: 2-Input, 2-Output  
 Clock Mode: I2S  
 Audio Data: 32-Bit  
 MCLK: 12.288/24.576 MHz  
 BCLK: 3.072 MHz  
 LRCLK: 48 kHz

Audio Converter Development Board		
Drawing No.: F1008P	Revision: A	Sheet: 6 of 10
Drawn By: ADW	Date Drawn: 2026-02-22	



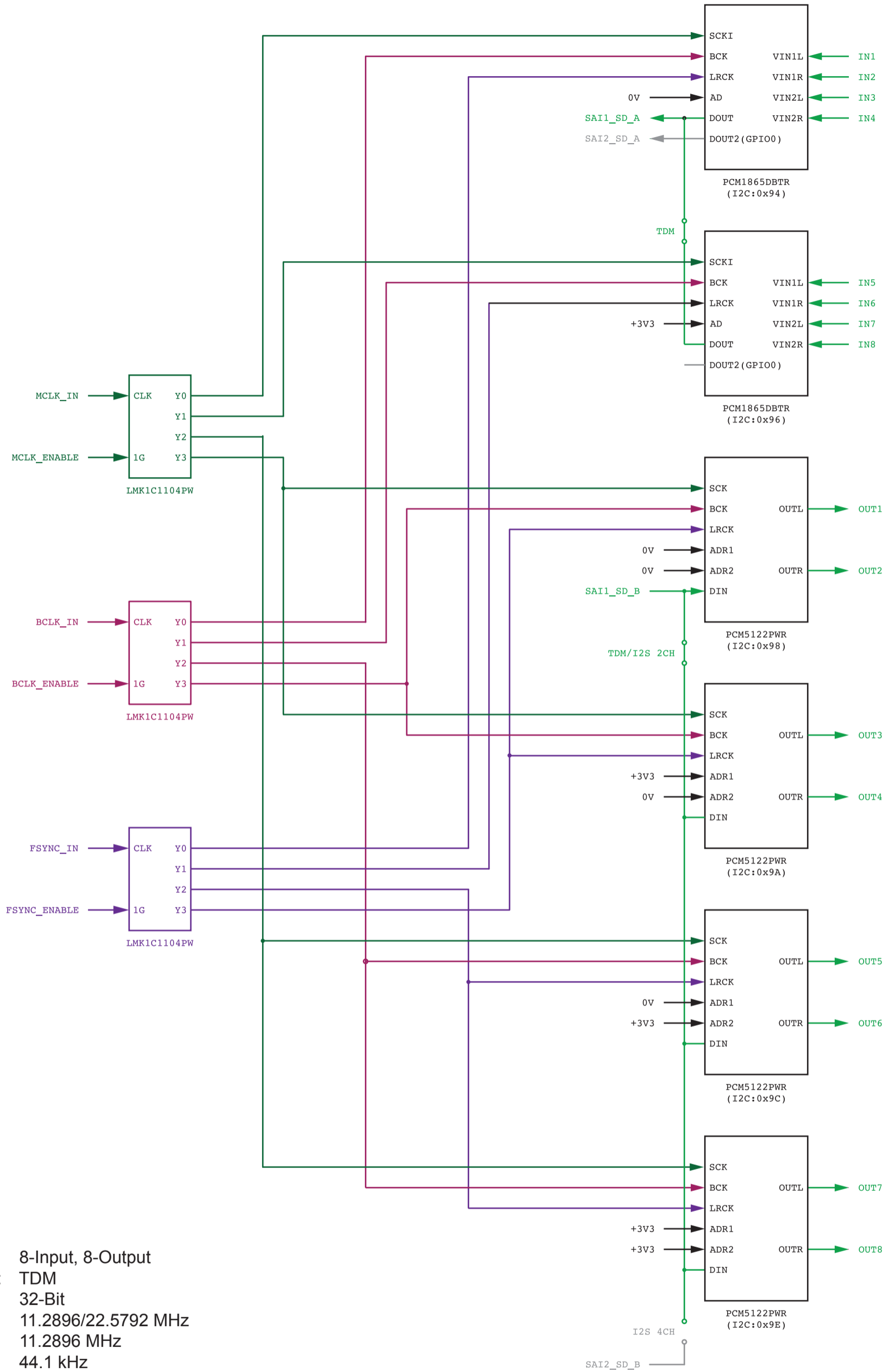
Operation: 2-Input, 2-Output  
 Clock Mode: I2S  
 Audio Data: 32-Bit  
 MCLK: 22.5792/45.1584 MHz  
 BCLK: 5.6448 MHz  
 LRCLK: 88.2 kHz

Audio Converter Development Board		
Drawing No.: F1008P	Revision: A	Sheet: 5 of 10
Drawn By: ADW	Date Drawn: 2026-02-22	



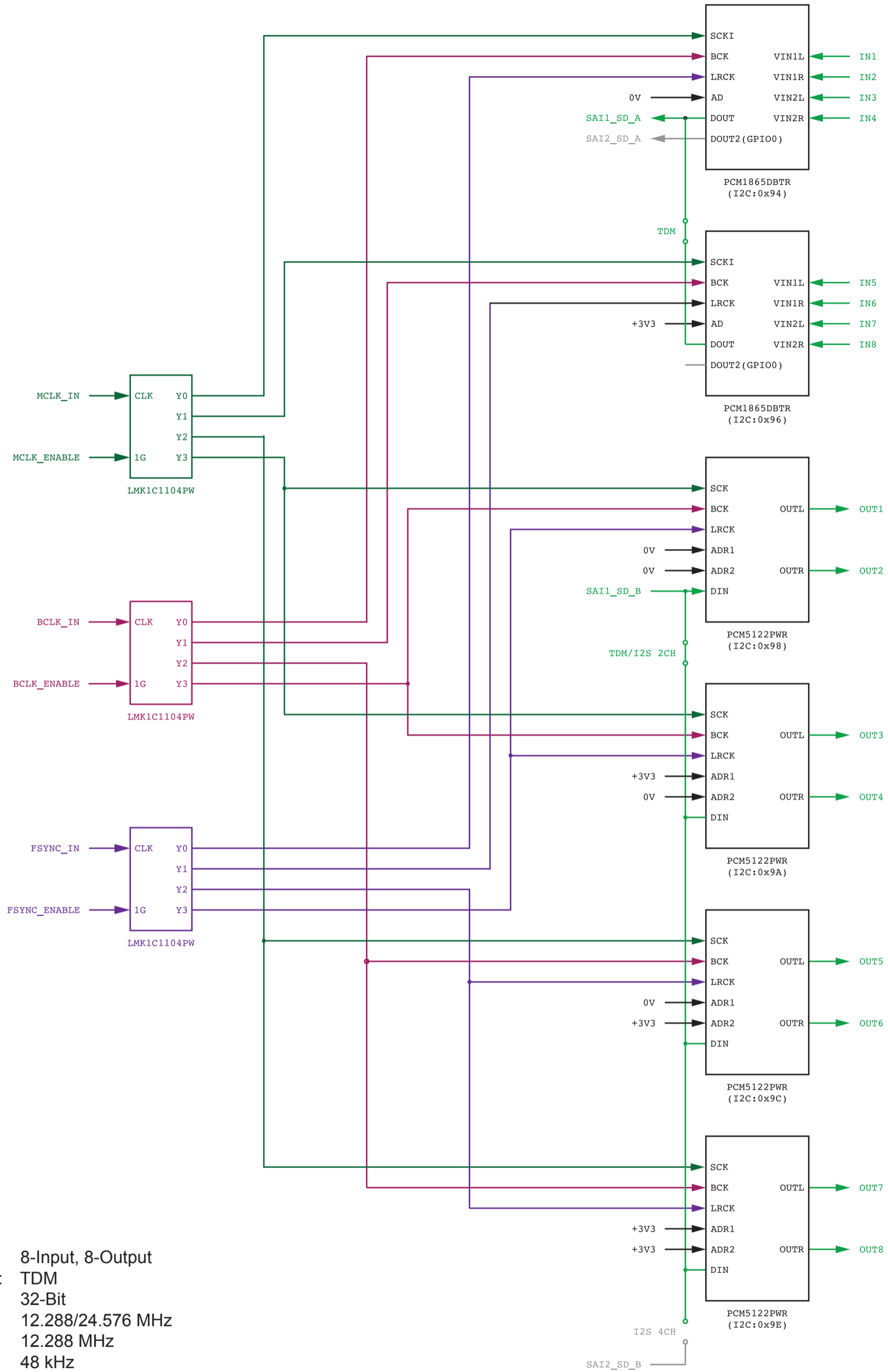
Operation: 2-Input, 2-Output  
 Clock Mode: I2S  
 Audio Data: 32-Bit  
 MCLK: 12.288/24.576 MHz  
 BCLK: 6.144 MHz  
 LRCLK: 96 kHz

Audio Converter Development Board		
Drawing No.: F1008P	Revision: A	Sheet: 8 of 10
Drawn By: ADW	Date Drawn: 2026-02-22	



Operation: 8-Input, 8-Output  
 Clock Mode: TDM  
 Audio Data: 32-Bit  
 MCLK: 11.2896/22.5792 MHz  
 BCLK: 11.2896 MHz  
 FSYNC: 44.1 kHz

Audio Converter Development Board		
Drawing No.: F1008P	Revision: A	Sheet: 9 of 10
Drawn By: ADW	Date Drawn: 2026-02-22	



Operation: 8-Input, 8-Output  
 Clock Mode: TDM  
 Audio Data: 32-Bit  
 MCLK: 12.288/24.576 MHz  
 BCLK: 12.288 MHz  
 FSYNC: 48 kHz

Audio Converter Development Board		
Drawing No.: F1008P	Revision: A	Sheet: 10 of 10
Drawn By: ADW	Date Drawn: 2026-02-22	