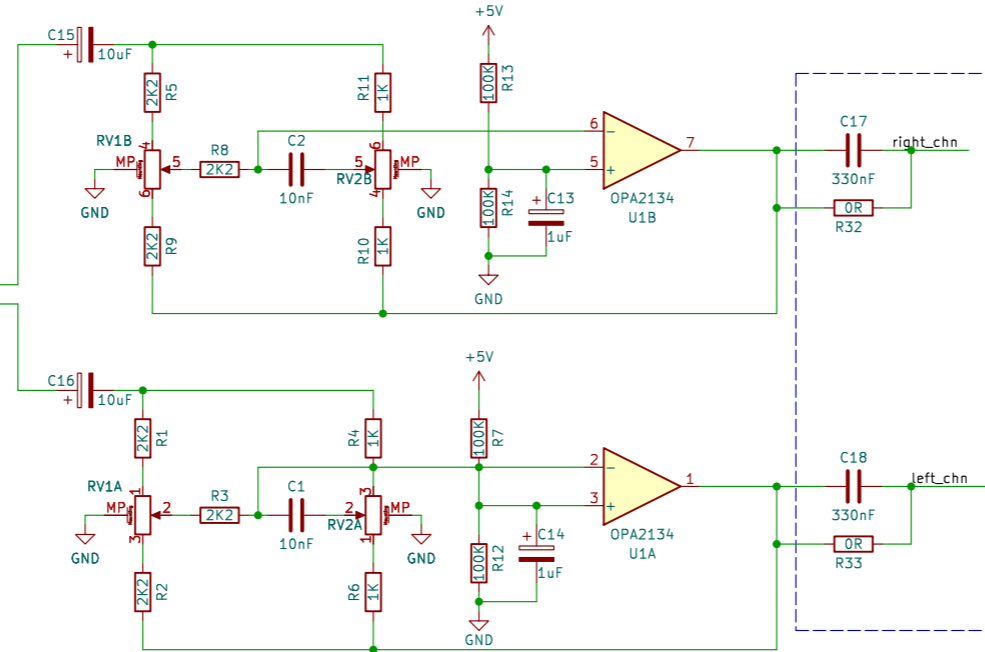
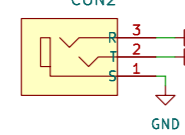


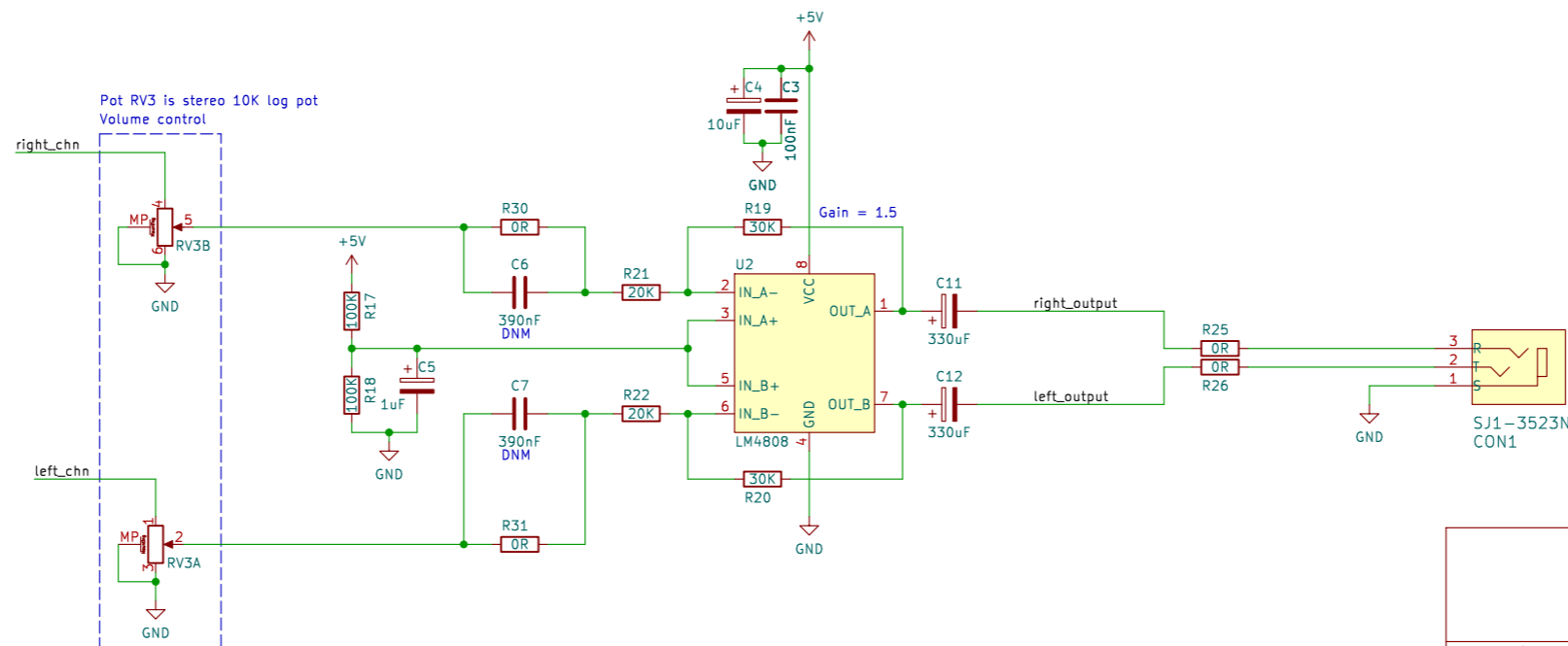
- H1 MountingHole\_Pad
- GND
- H2 MountingHole
- H3 MountingHole
- H4 MountingHole

Pots RV1 and RV2 are 10K linear pots

SJ1-3523N CON2



C17 & C18 values are calculated based on wiper position 0 and max.  
 ● 0 ---> C = 390nF  
 ● 10K ---> C = 270nF  
 C=330nF as it lies in between the 2 extremes



Sheet: /		
File: LM4808_headphone_amp.kicad_sch		
<b>Title:</b>		
Size: A3	Date:	Rev:
KiCad E.D.A. kicad 7.0.1		Id: 1/1