

3 Schematic, Layout, and Bill of Materials

3.1 TPA311D2 EVM Schematic

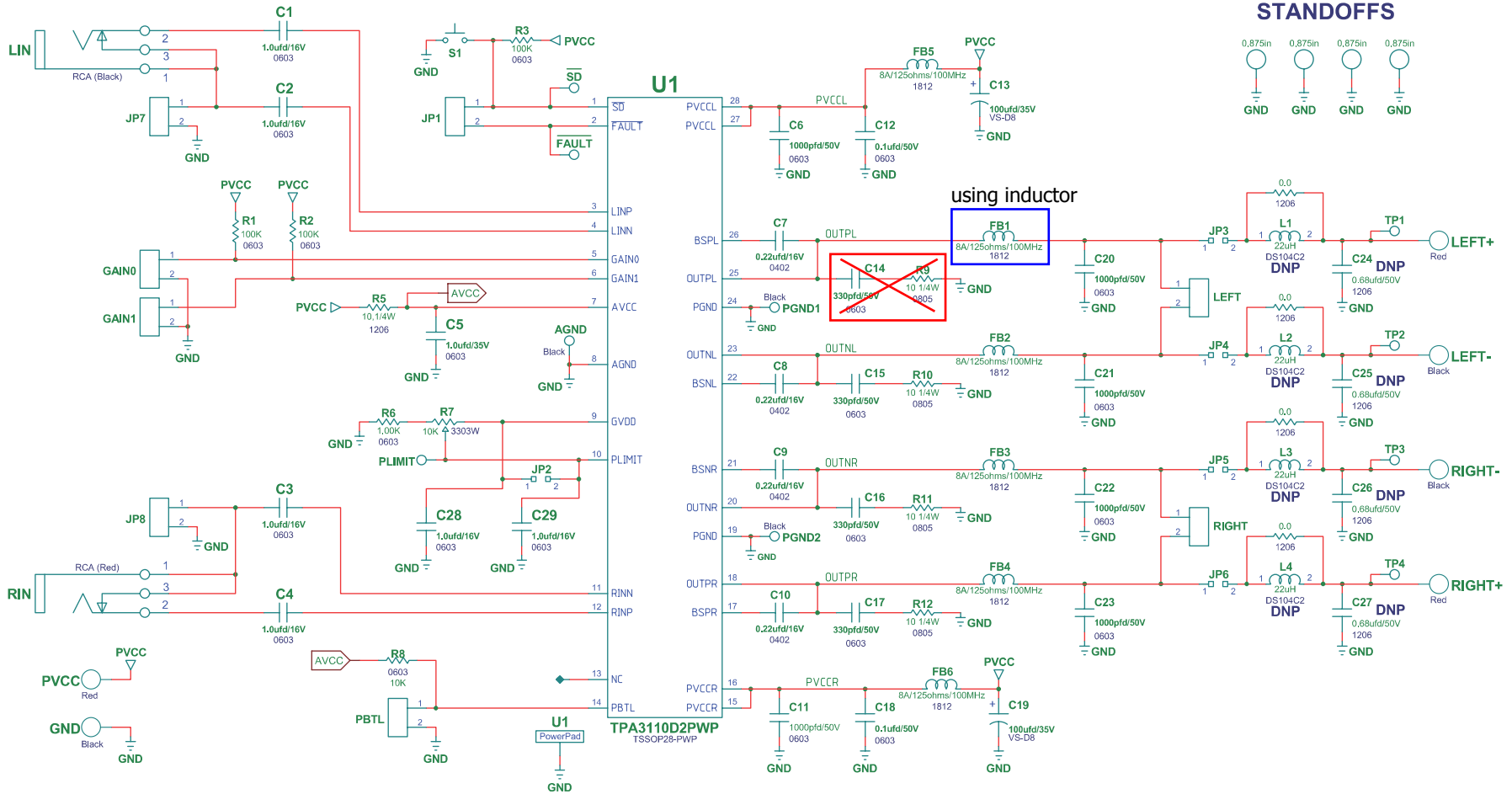


Figure 3. TPA311D2 EVM Schematic