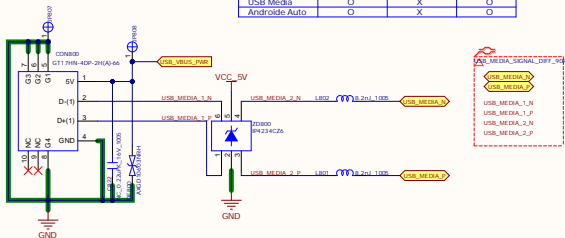
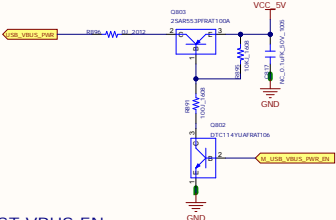


### USB MEDIA OTG

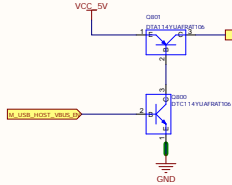
MODE	HOST Mode	DEVICE Mode	USB PWR
Downward	X	O	O
CarPlay	X	O	O
USB Media	O	X	X
Android Auto	O	X	O



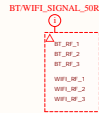
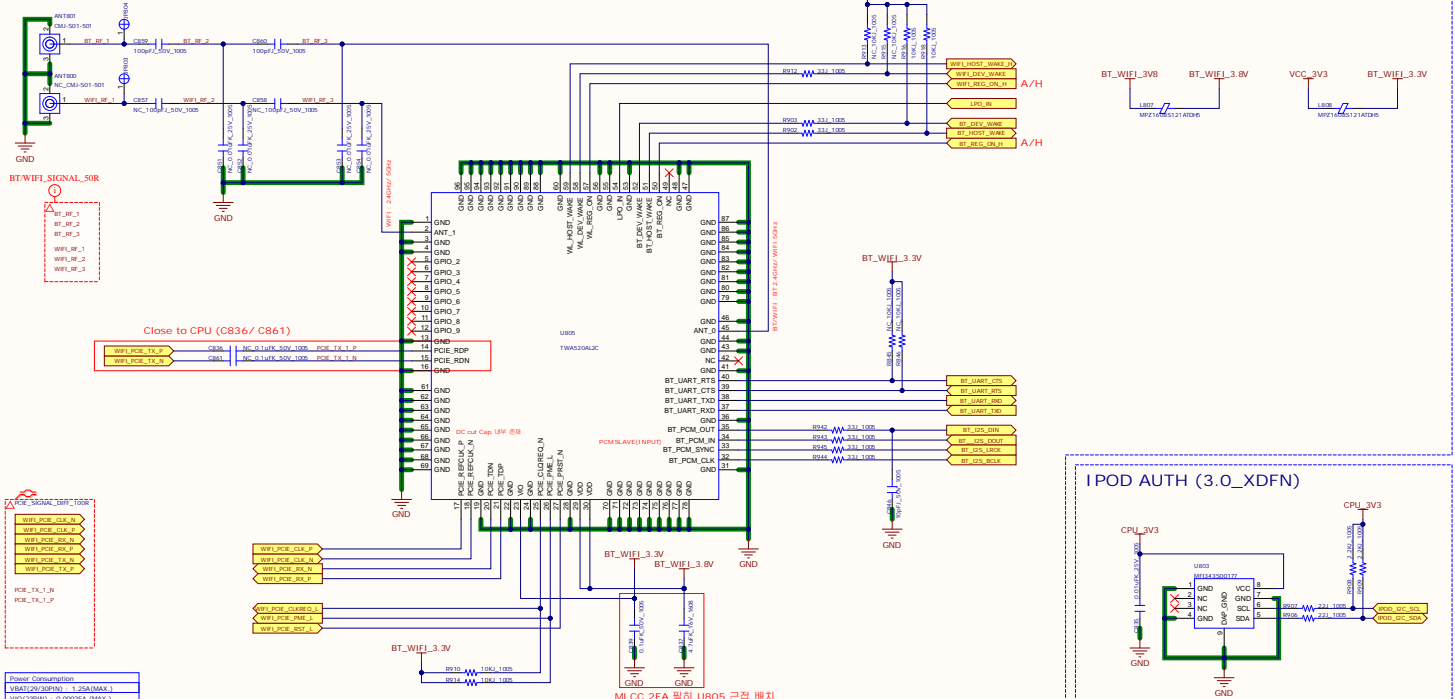
### USB VBUS POWER EN



### USB HOST VBUS EN



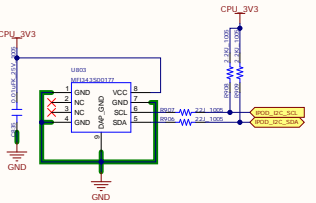
### BT\_WIFI



Power Consumption
VBAT(29/30pin) 1.22A(MAX)
VDD(27pin) 0.1025A(MAX)

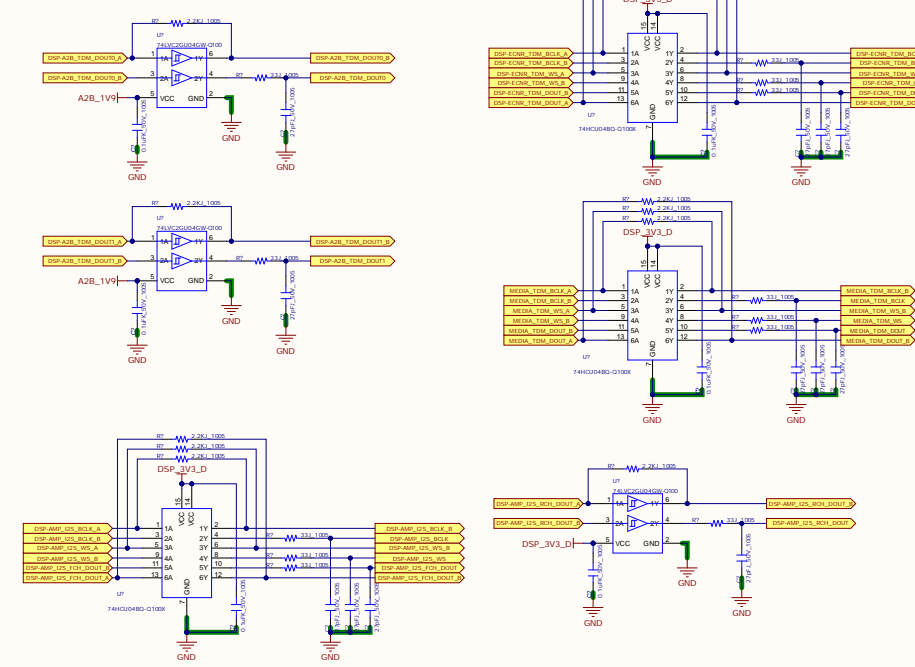
MLCC 2EA 필히 U805 근접 배치

### IPOD AUTH (3.0\_XDFN)

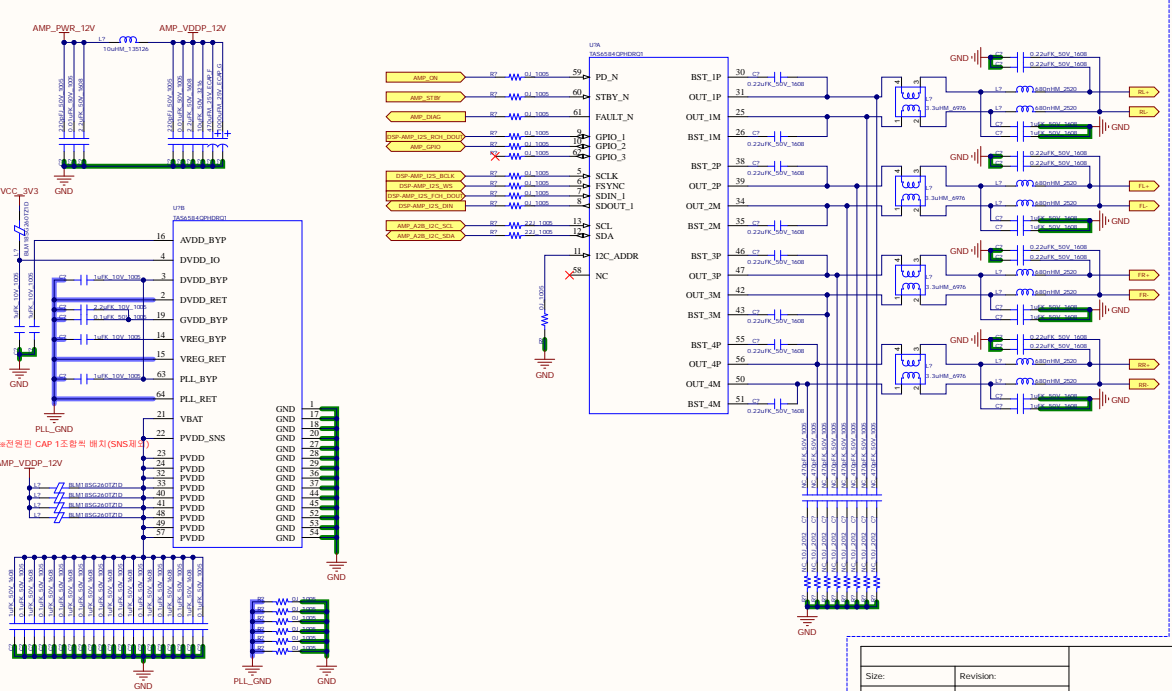


### Current to Volatge Buffer

Buffer IC 와 DSP IC 2-3cm 이격 배치 할 것



### D-CLASS AUDIO POWER AMP



\*진원란 CAP 1조 임팩 배치 (SNS 제외)

Size:	Revision:
Date:	Sheet of