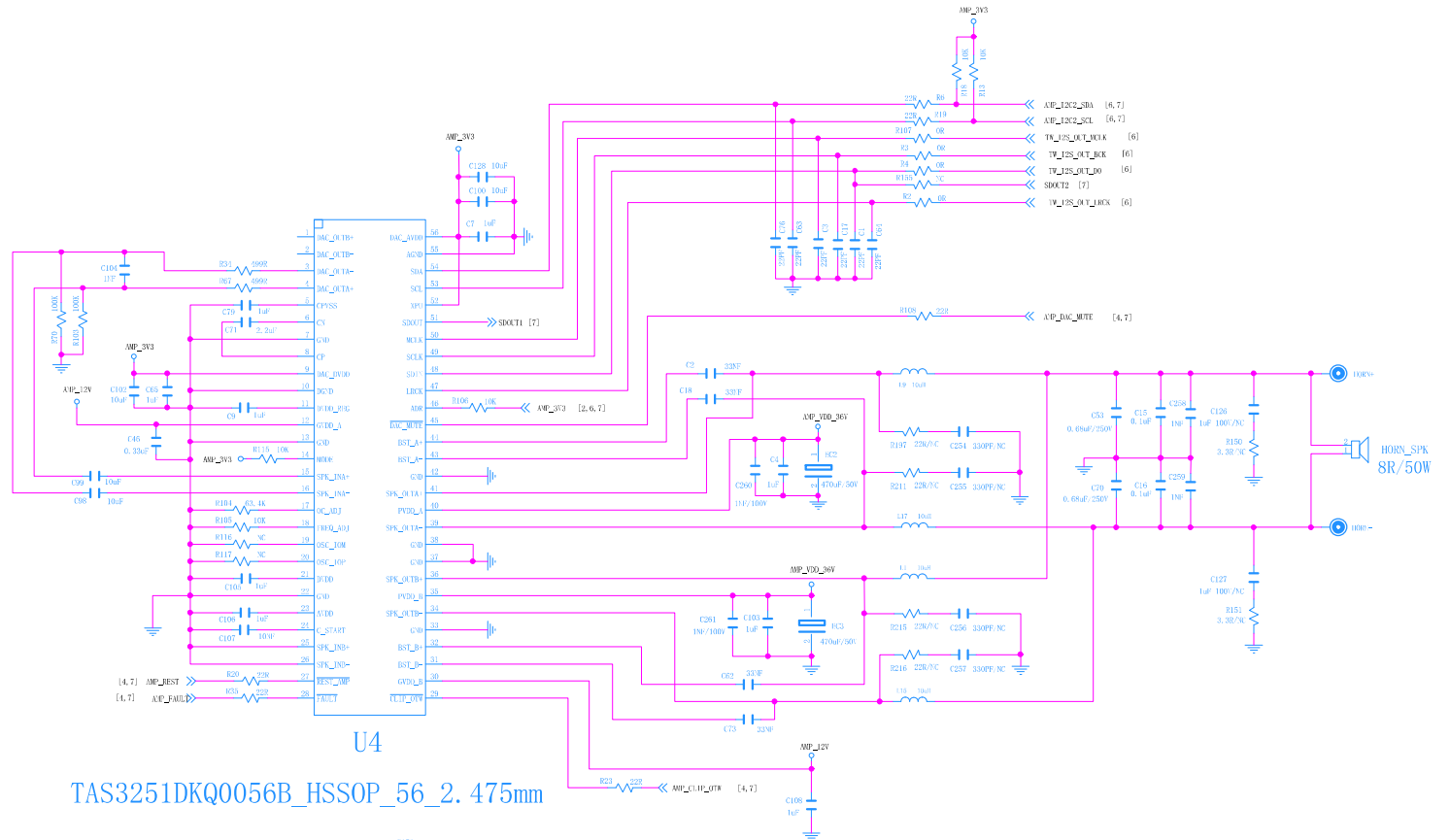
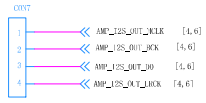
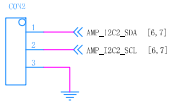
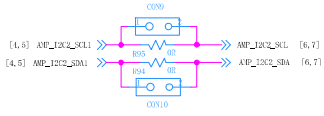
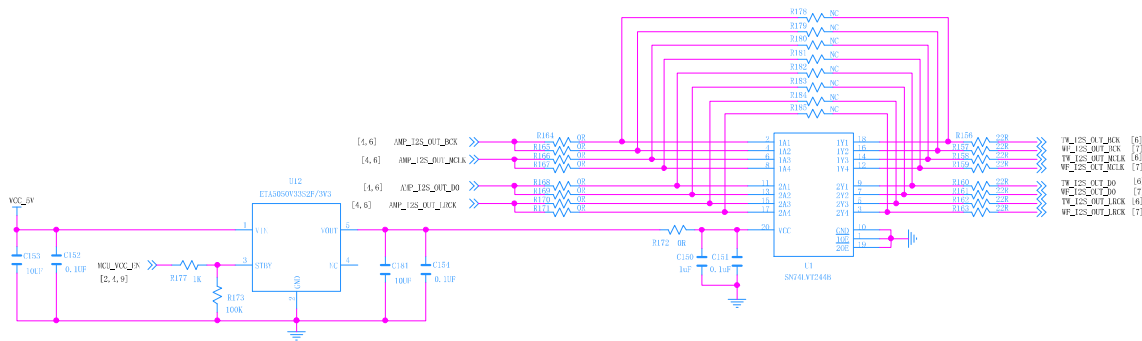


REV.	DESCRIPTION	DATE:	CHK:	APP:
1				

Address: 0x96



TAS3251DKQ0056B_HSSOP_56_2.475mm



COMPANY:					
MODEL: GP-A591-01 MAIN					
PCB VER:	V00	TITLE	SCH	DOC VER	V00
DRN./DATE: Devin 2024-7-15			DWG NO: *		
CHK. /DATE:			IC:		
APP. /DATE:			LCD:		
□ TO FILE			SHEET: 6 OF 9		