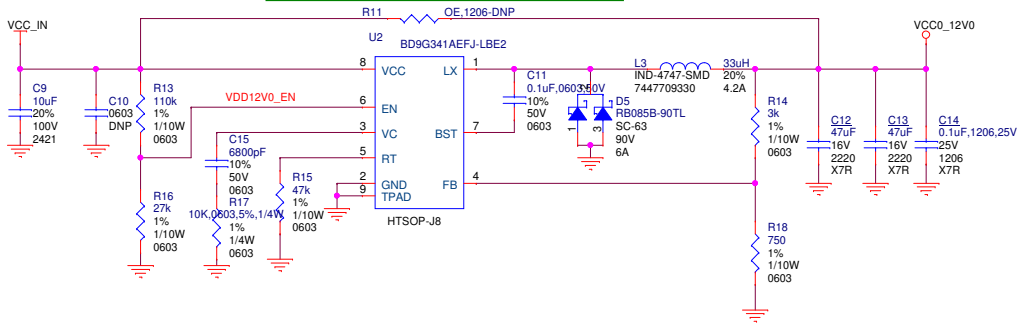
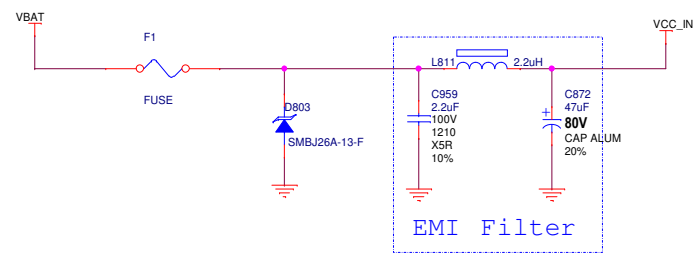




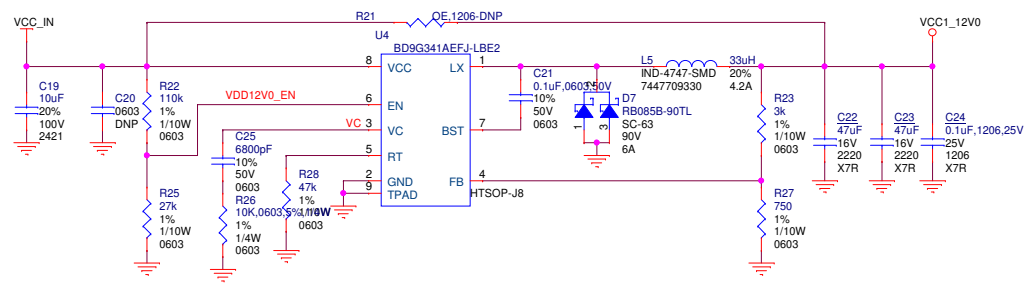
### BUCK CONVERTER @12V



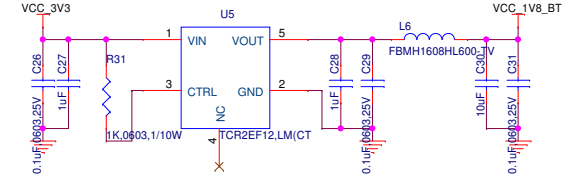
### REVERSE VOLTAGE CIRCUIT



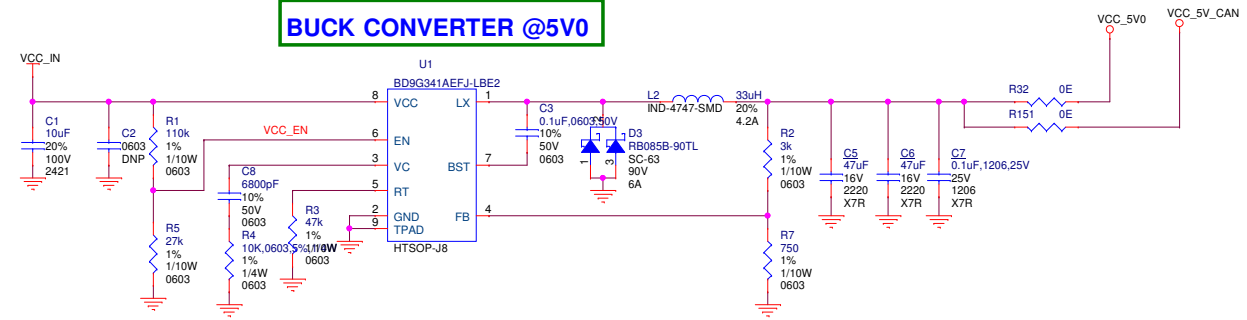
### OPTIONAL:BUCK CONVERTER @12V



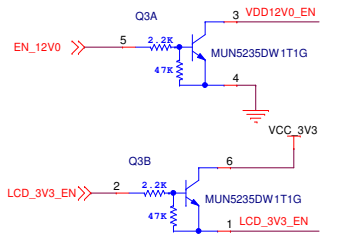
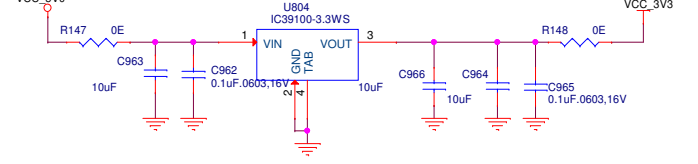
### LDO @1V8



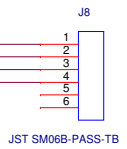
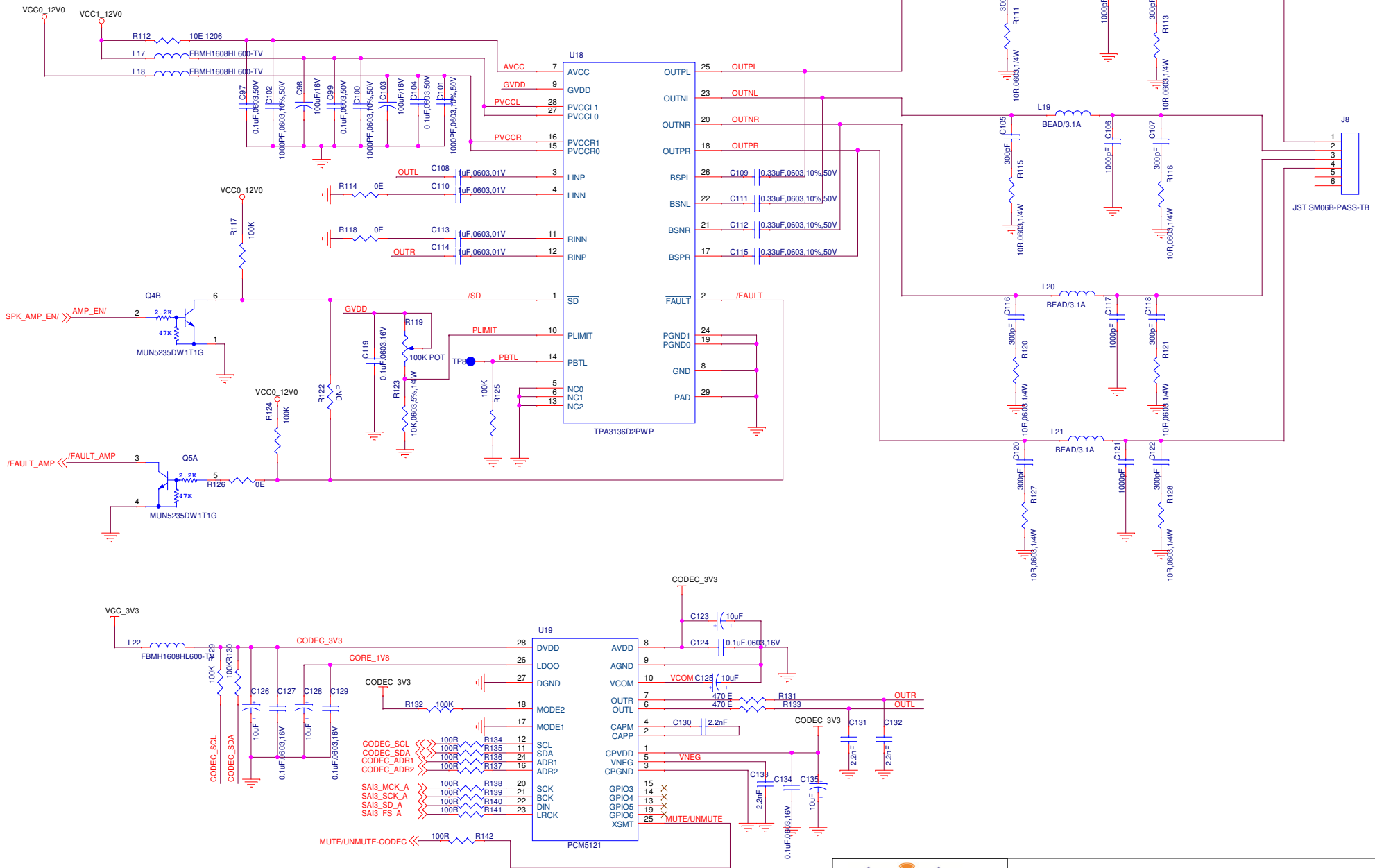
### BUCK CONVERTER @5V0



### LDO @3V3



Size	A3	CAGE Code	<Cage Code>	DWG NO	SMART SCOOTER	Rev	0.01
Scale					Sheet	3	of 5



Monday, February 26, 2018

Size	A3	CAGE Code	<Cage Code>	DWG NO	SMART SCOOTER	Rev	0.01
Scale						Sheet	5 of 5