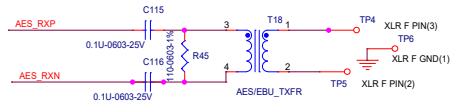


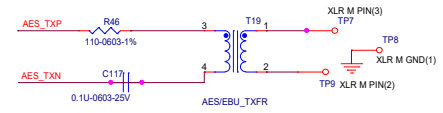
### AES INPUT



These are XLR wire solder holes - All dongle same size holes as given on dongle mech

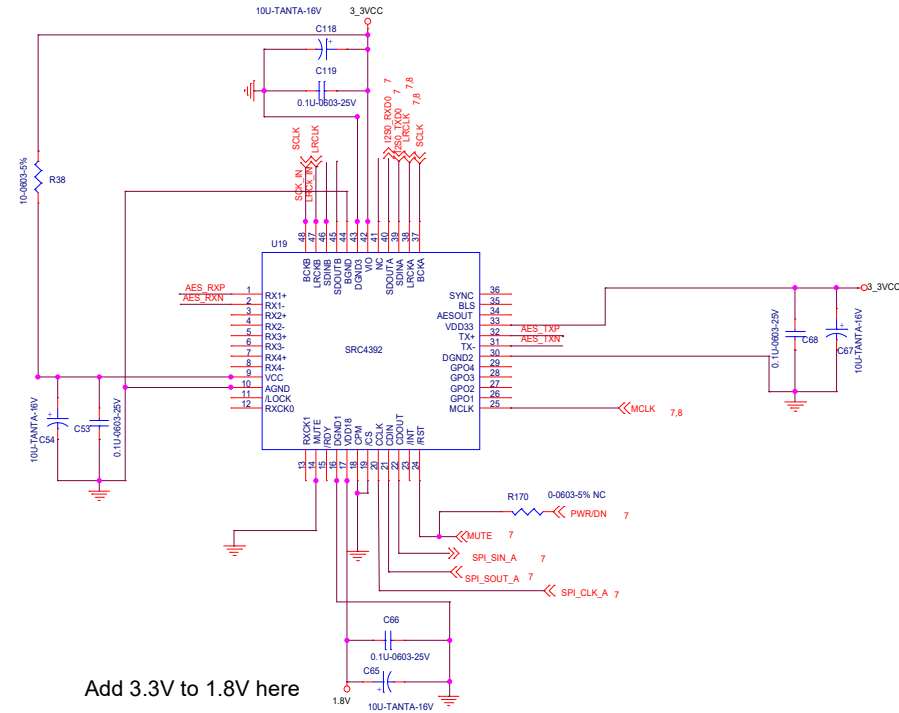
In case this thru hole does not work there is a SMT version of PE-65612

### AES OUTPUT



These are XLR wire solder holes - All dongle same size holes as given on dongle mech

In case this thru hole does not work there is a SMT version of PE-65612



Add 3.3V to 1.8V here