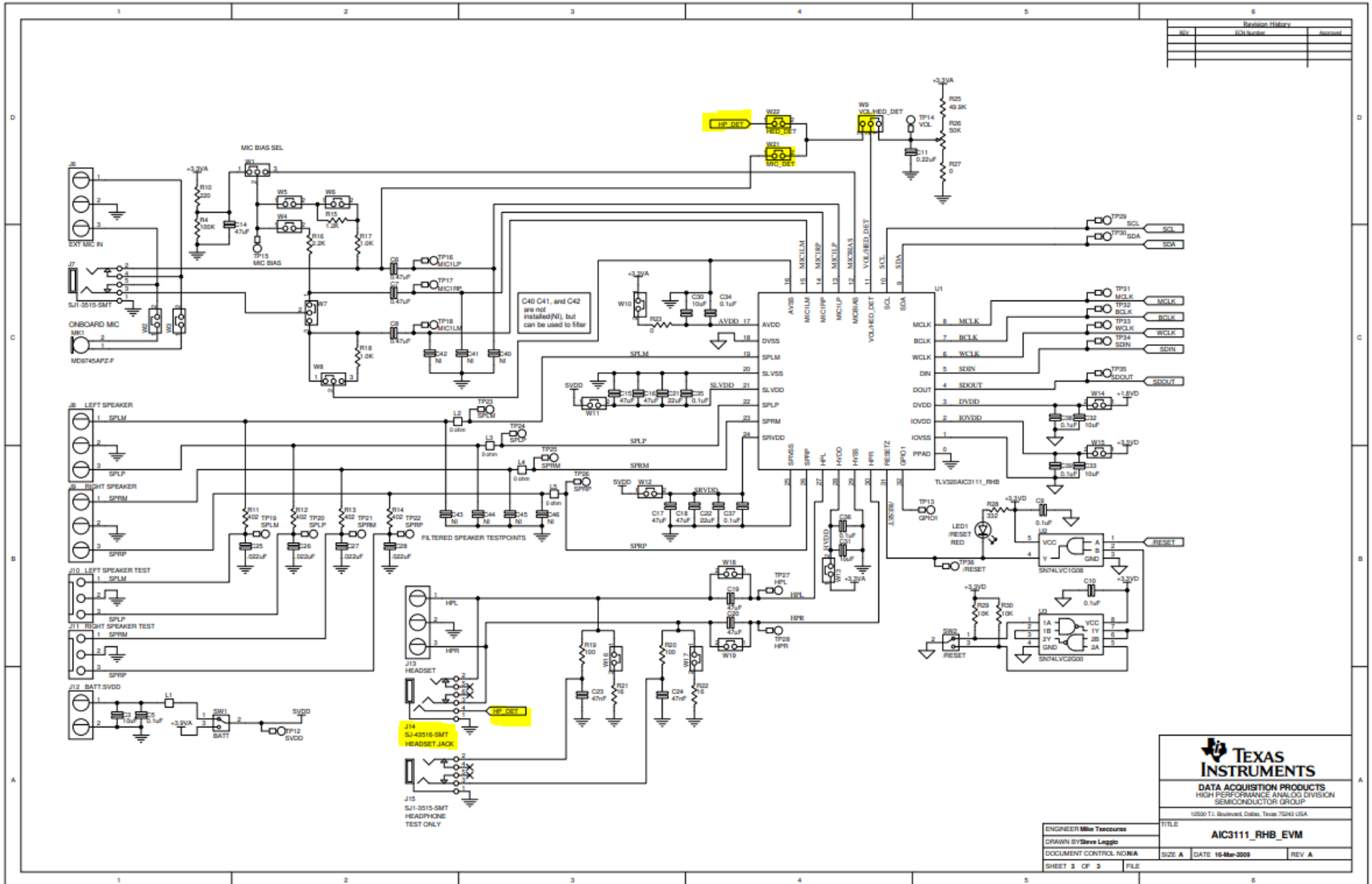
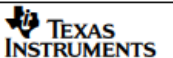


AIC3111 Headset Detection

EVM Connection



| Revision History | | |
|------------------|------------|----------|
| Rev | Rev Number | Approved |
| | | |
| | | |


TEXAS INSTRUMENTS
 DATA ACQUISITION PRODUCTS
 HIGH PERFORMANCE ANALOG DIVISION
 SEMICONDUCTOR GROUP
15000 T1 Boulevard, Dallas, Texas 75243 USA

| | | | |
|-------------------------|--------|------------------------|-------|
| ENGINEER Mike Teacourse | | TITLE | |
| DRAWN BY Steve Leggio | | AIC3111_RHB_EVM | |
| DOCUMENT CONTROL NONA | SIZE A | DATE 10-Mar-2009 | REV A |
| SHEET 3 OF 3 | FILE | | |

Headset Detection Verification

- Audio Path: DAC to HP
- MICBIAS = AVDD = 3.3V
- Enable Headset Detection: Page 0 Register 67 (0x43) = 0x80
- Read Sticky Flag: Page 0 Register 44 (0x2C) = 0x00 (No insertion/removal)

Command TLV320AIC3111EVM-K

Command Buffer:

```
#w 30 43 80
r 30 43 01
r 30 2c 01
```

No Connection

Read Data:

```
r 30 43 01:
80
r 30 2c 01:
00
```

Open Save Run

Command TLV320AIC3111EVM-K

Command Buffer:

```
#w 30 43 80
r 30 43 01
r 30 2c 01
```

Plug on J14 with
Microphone

Read Data:

```
r 30 43 01:
80
r 30 2c 01:
10
```

Open Save Run

Command TLV320AIC3111EVM-K

Command Buffer:

```
#w 30 43 80
r 30 43 01
r 30 2c 01
```

Connection Removed

Read Data:

```
r 30 43 01:
80
r 30 2c 01:
10
```

Open Save Run

Command TLV320AIC3111EVM-K

Command Buffer:

```
#w 30 43 80
r 30 43 01
r 30 2c 01
```

Plug on J14
without
Microphone

Read Data:

```
r 30 43 01:
80
r 30 2c 01:
10
```

Open Save Run Record

Command TLV320AIC3111EVM-K

Command Buffer:

```
#w 30 43 80
r 30 43 01
r 30 2c 01
```

Connection Removed

Read Data:

```
r 30 43 01:
80
r 30 2c 01:
10
```

Open Save Run

Audio Connection on J14

- Audio is not playing but path is still ON.
- Read Page 0 Register 44 and 67 before and after Headset is connected on J14.

Command TLV320AIC3111EVM-K

Command Buffer:

```
#w 30 43 80  
r 30 43 01  
r 30 2c 01
```

Headset Connected
On J14

Read Data:

| | | |
|-------------|----|-------------------|
| r 30 43 01: | 80 | Before Connection |
| r 30 2c 01: | 00 | |
| r 30 43 01: | 80 | After Connection |
| r 30 2c 01: | 10 | |

- Audio is playing.
- Read Page 0 Register 44 and 67 before and after Headset is connected on J14.

Command TLV320AIC3111EVM-K

Command Buffer:

```
#w 30 43 80  
r 30 43 01  
r 30 2c 01
```

Headset Connected
On J14

Read Data:

| | | |
|-------------|----|-------------------|
| r 30 43 01: | 80 | Before Connection |
| r 30 2c 01: | 00 | |
| r 30 43 01: | 80 | After Connection |
| r 30 2c 01: | 10 | |