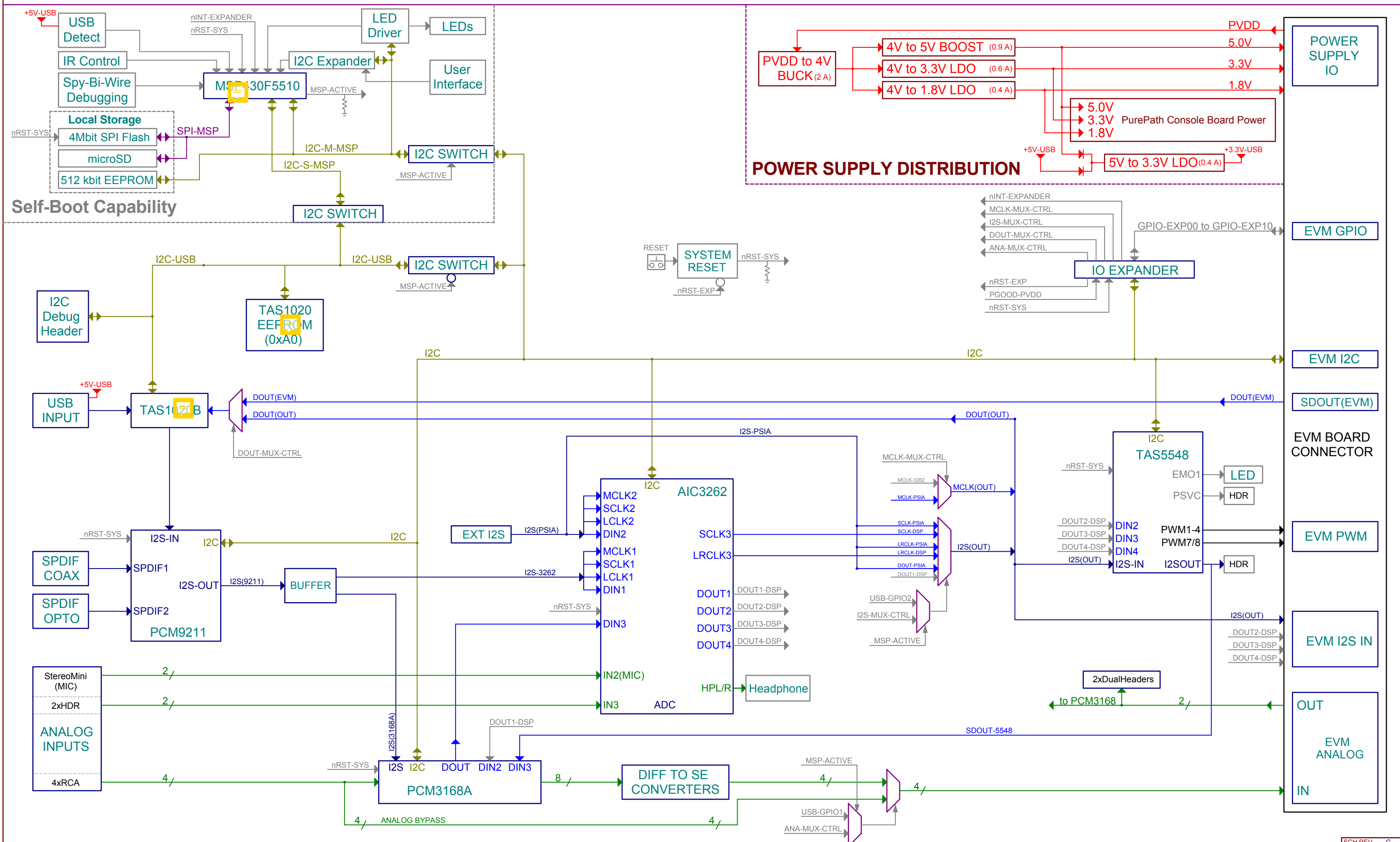
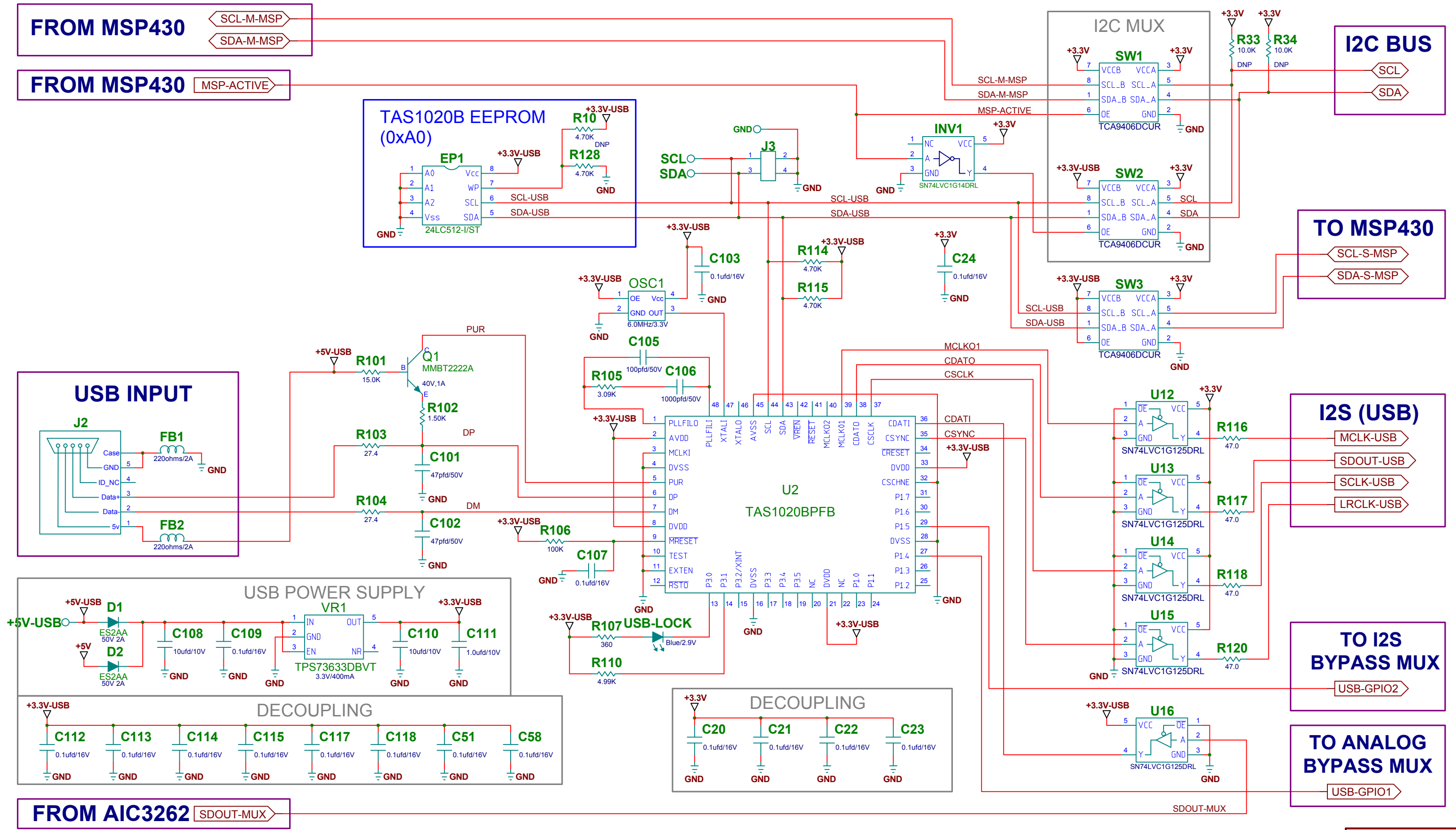


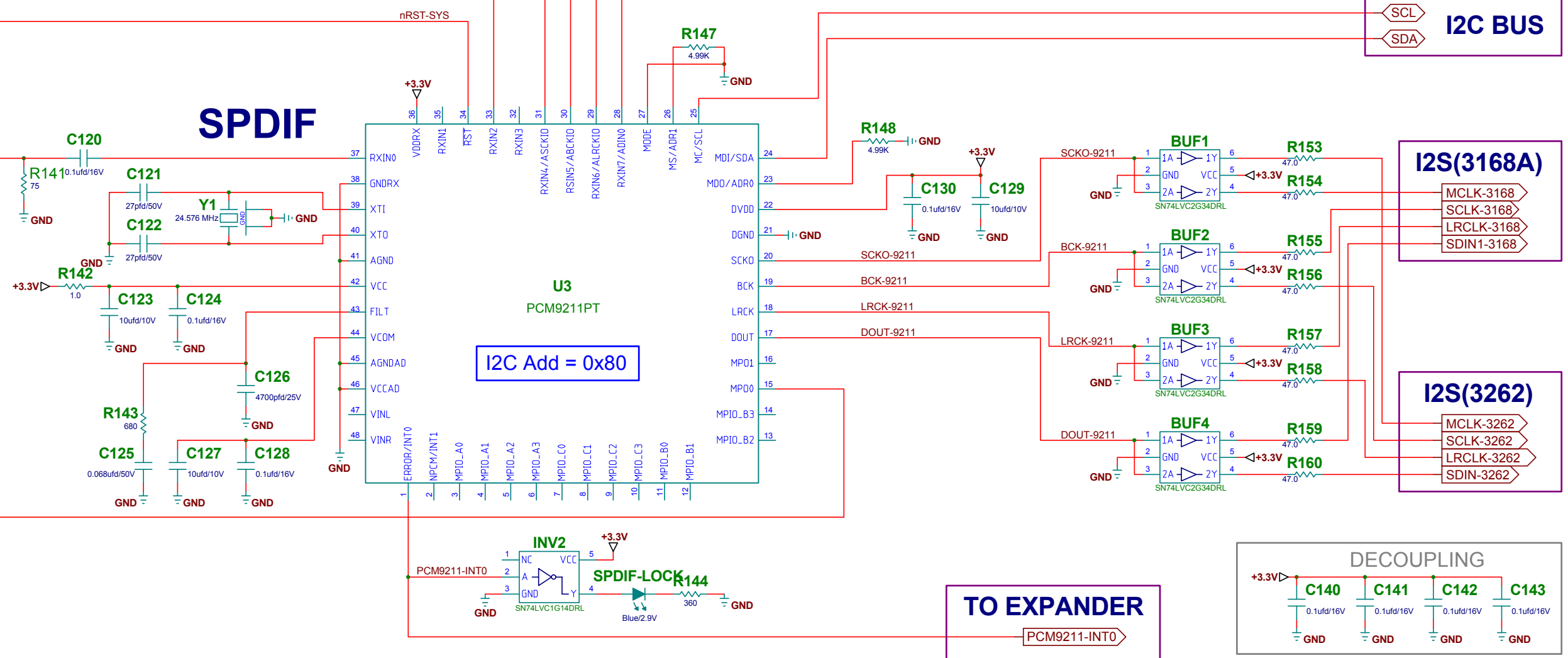
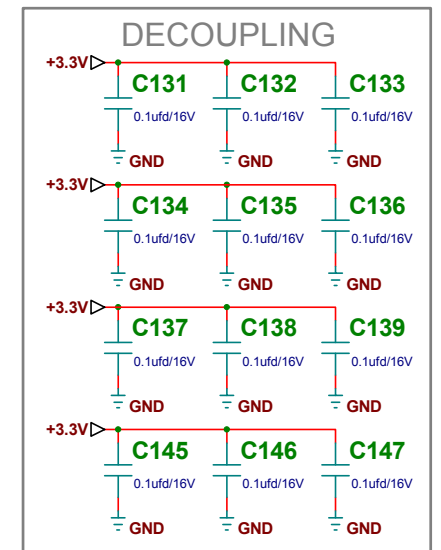
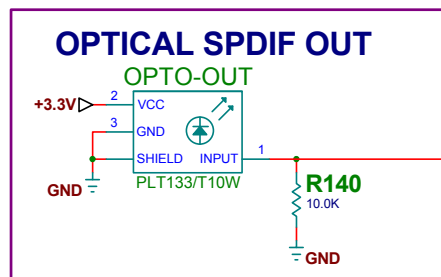
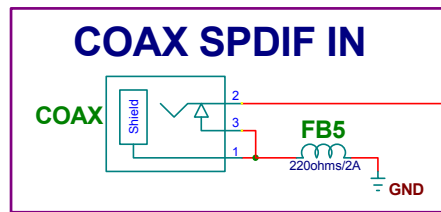
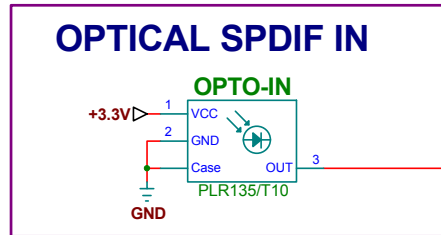
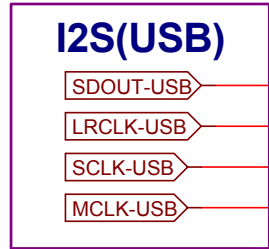
# PurePath™ Console MotherBoard



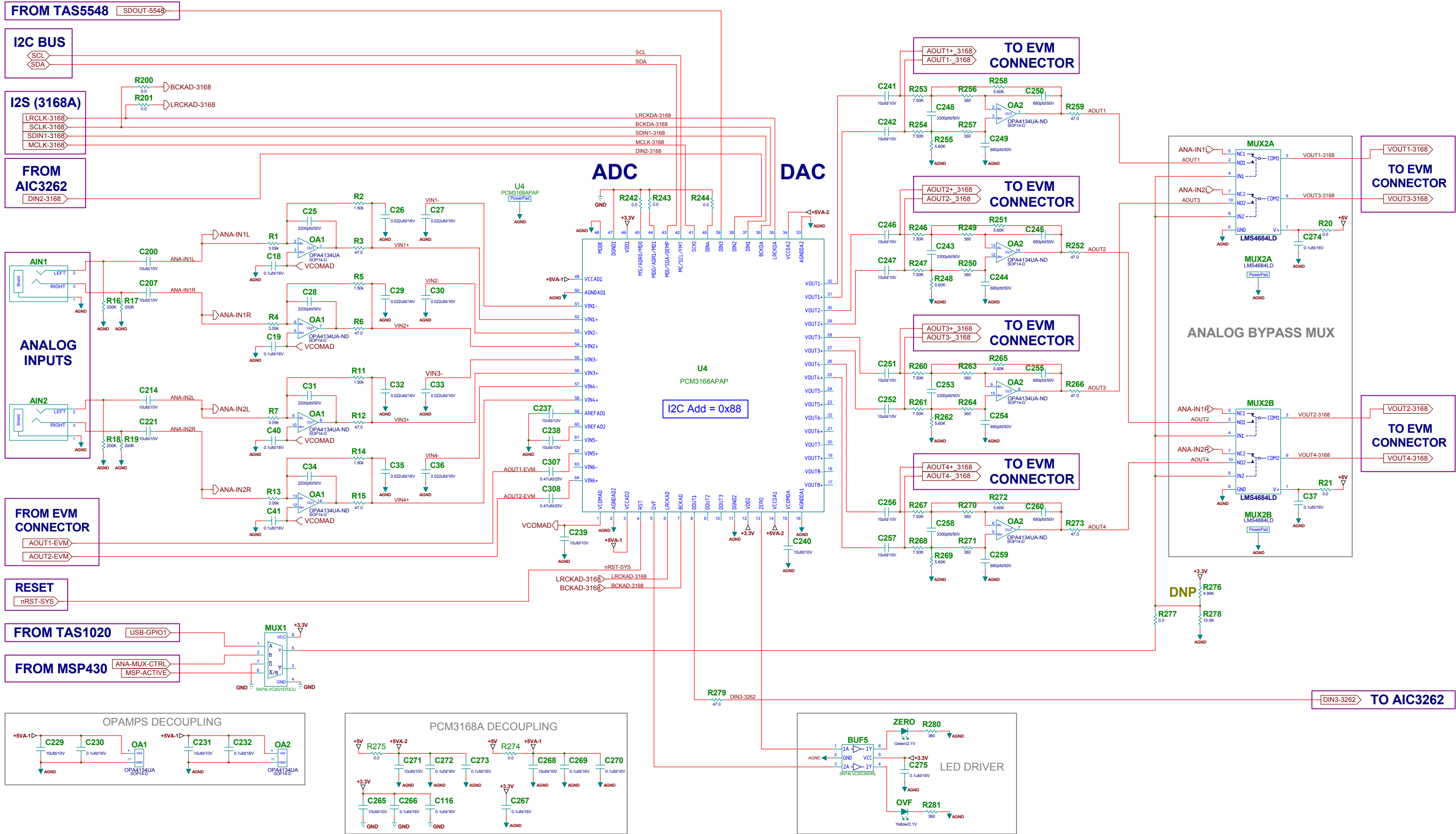
# PurePath™ Console MotherBoard



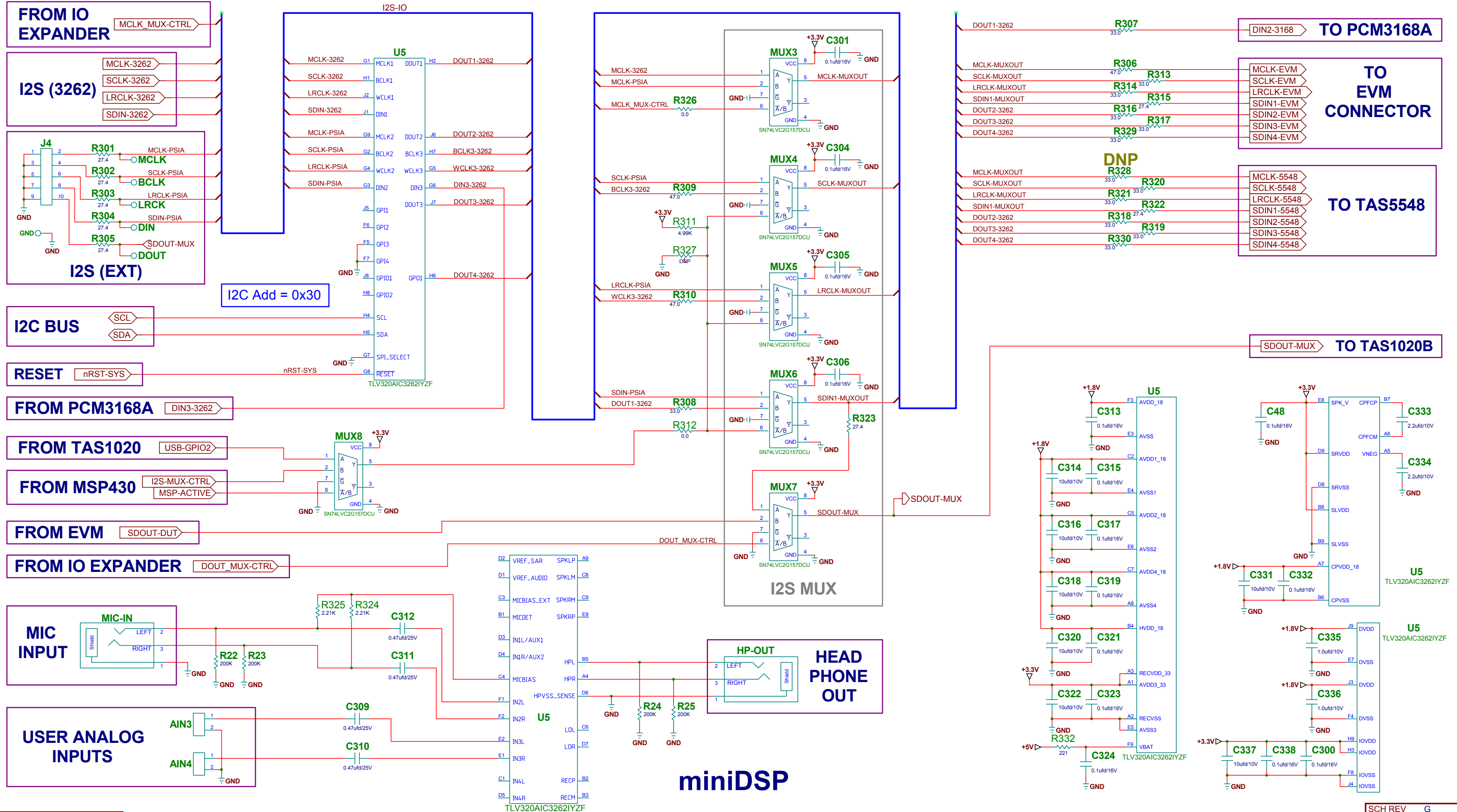
# PurePath™ Console MotherBoard



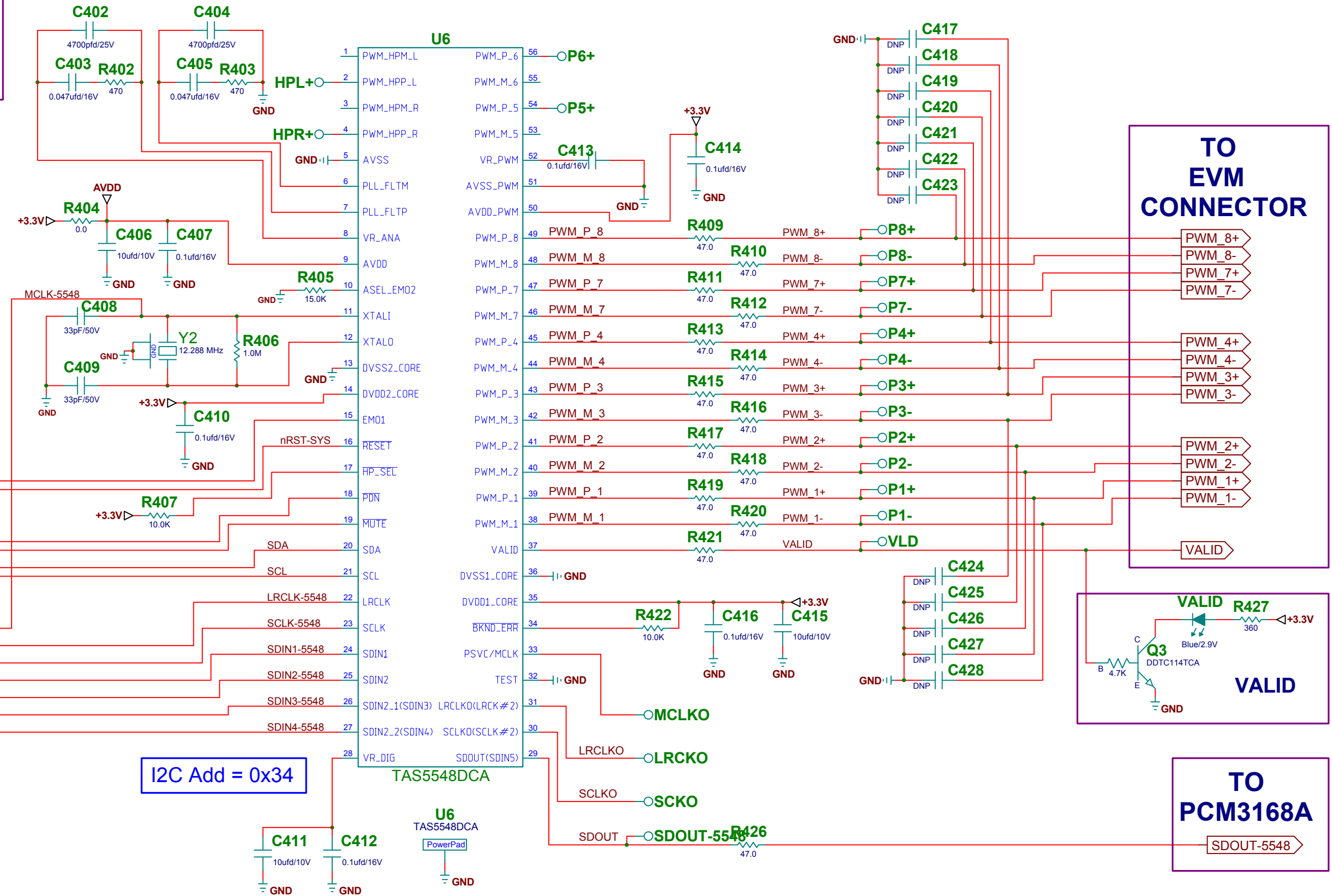
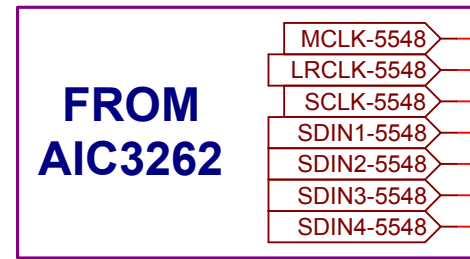
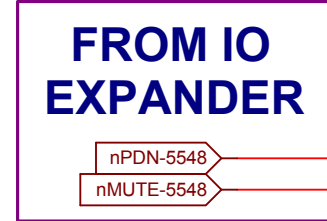
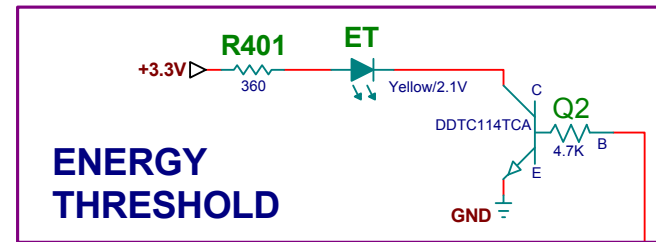
# PurePath™ Console MotherBoard



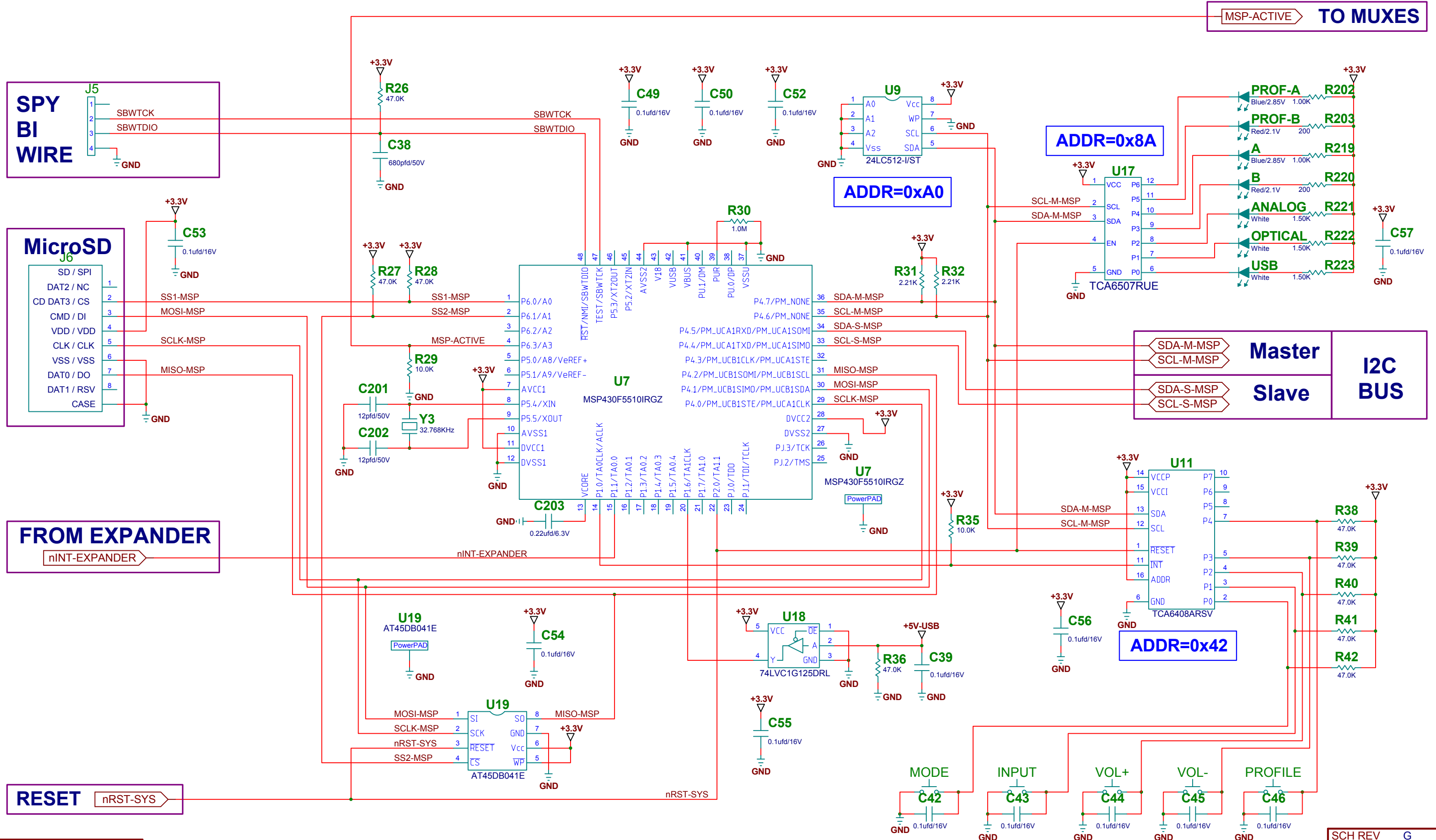
# PurePath™ Console MotherBoard



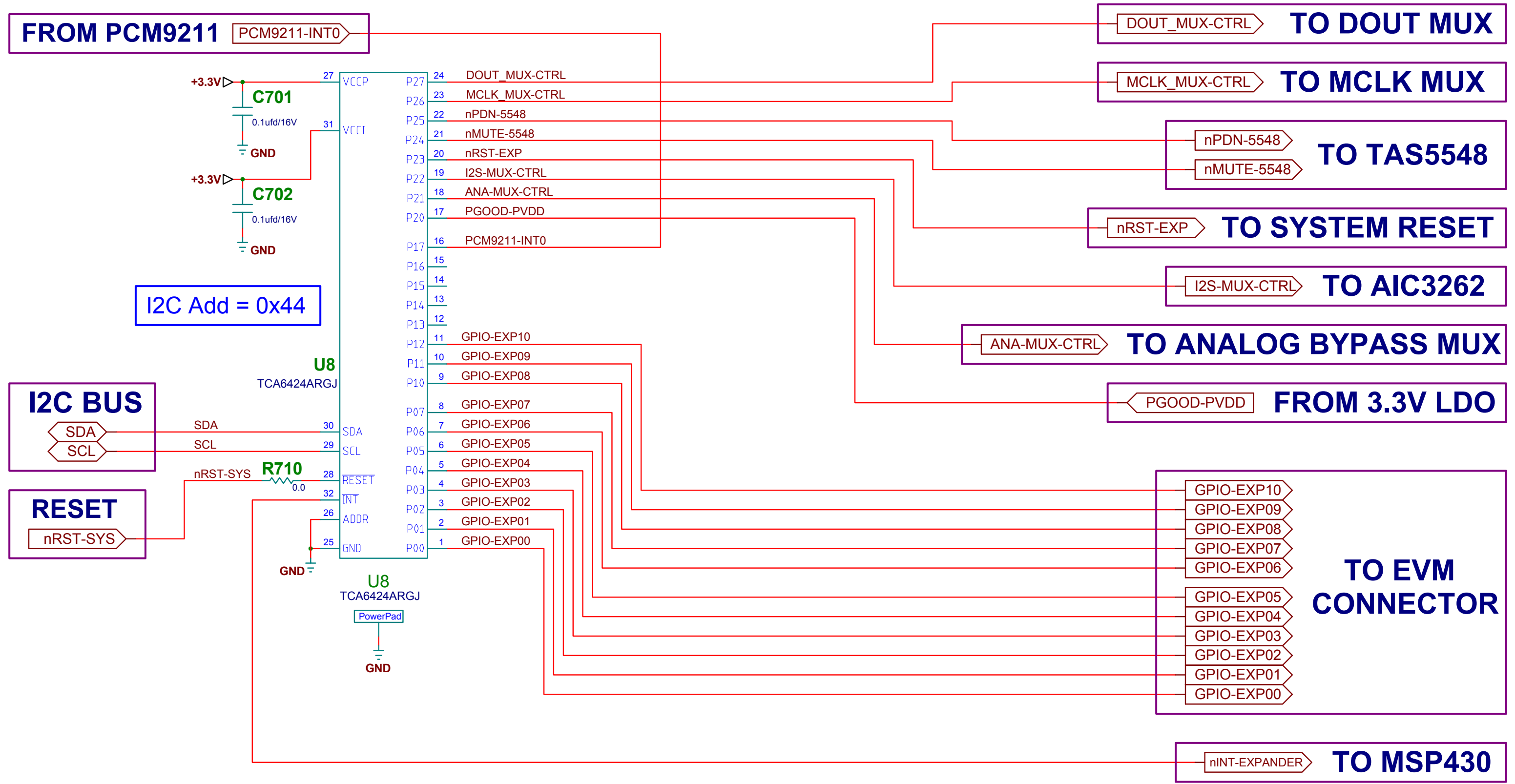
# PurePath™ Console MotherBoard



# PurePath™ Console MotherBoard



# PurePath™ Console MotherBoard

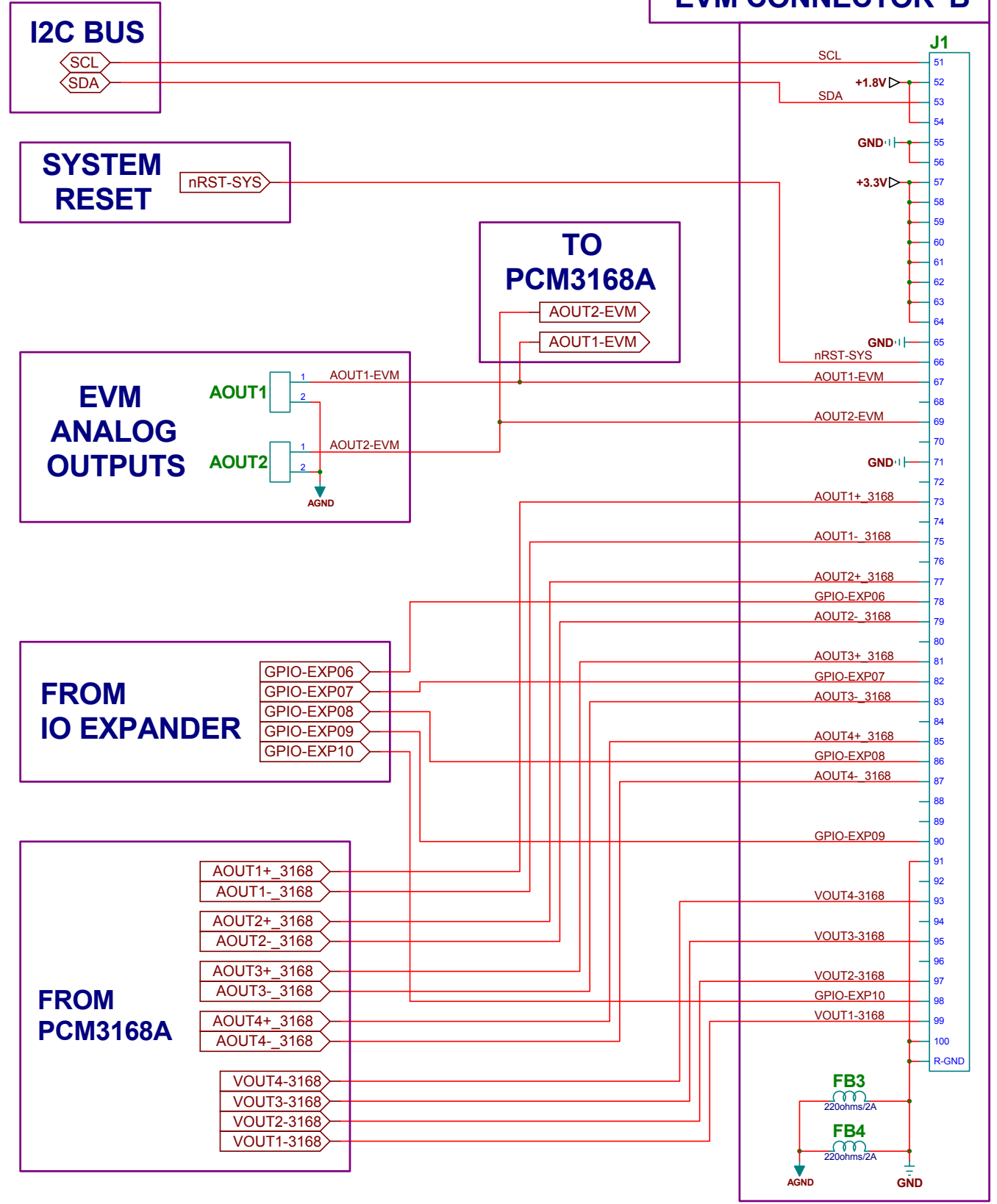
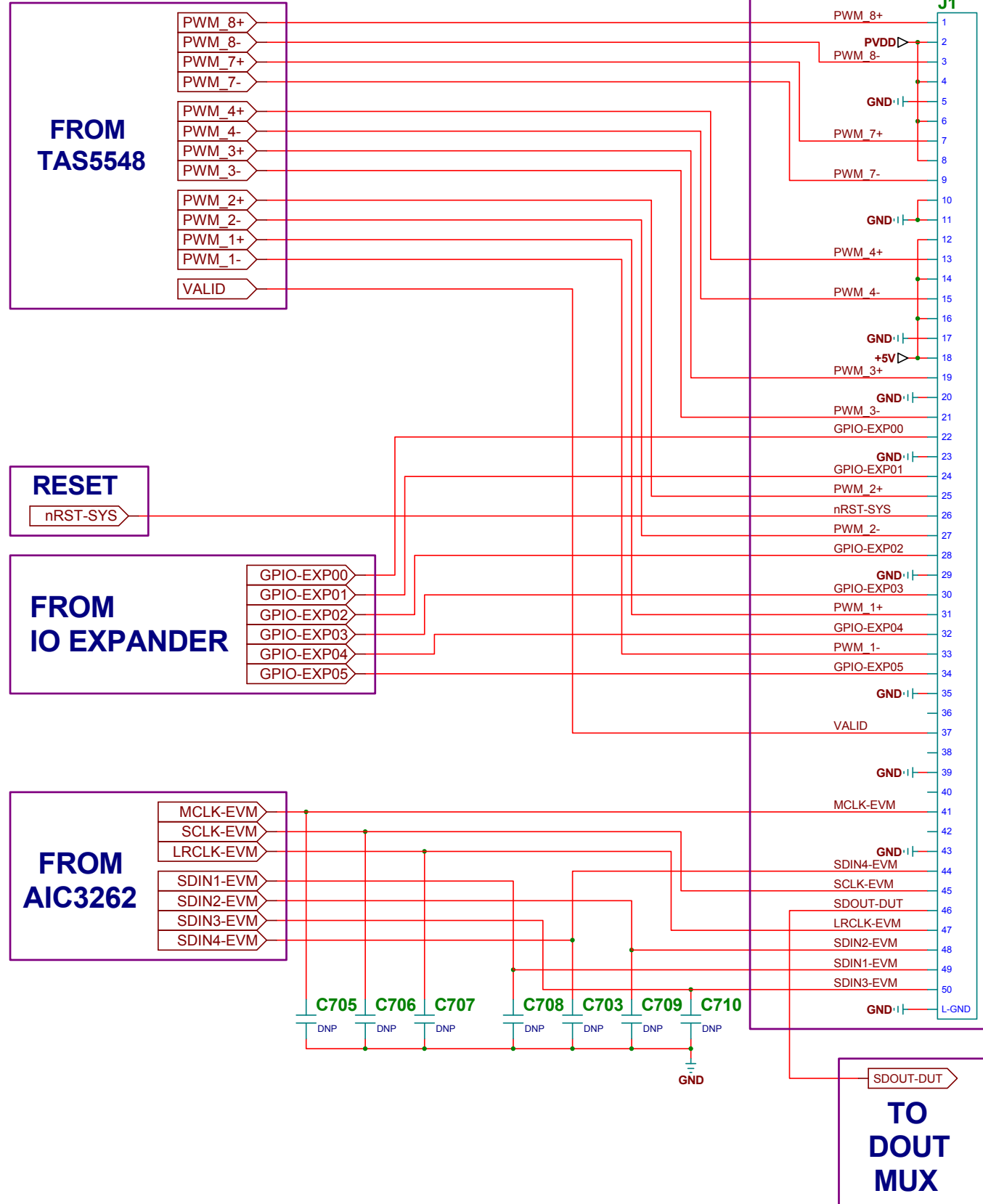




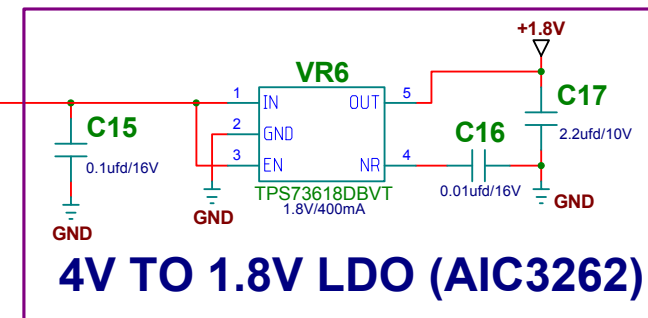
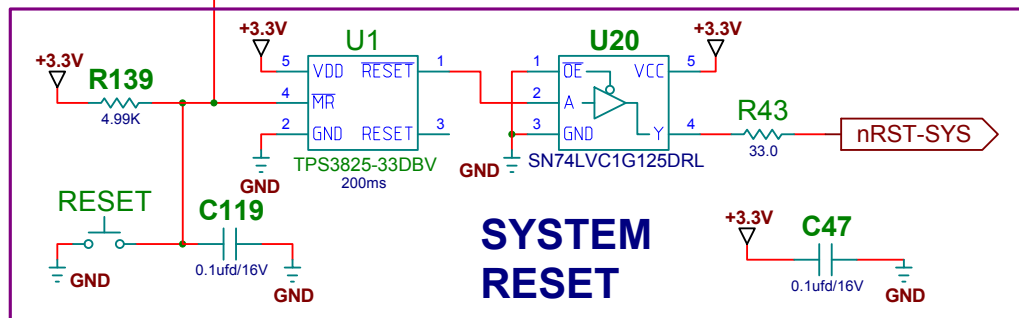
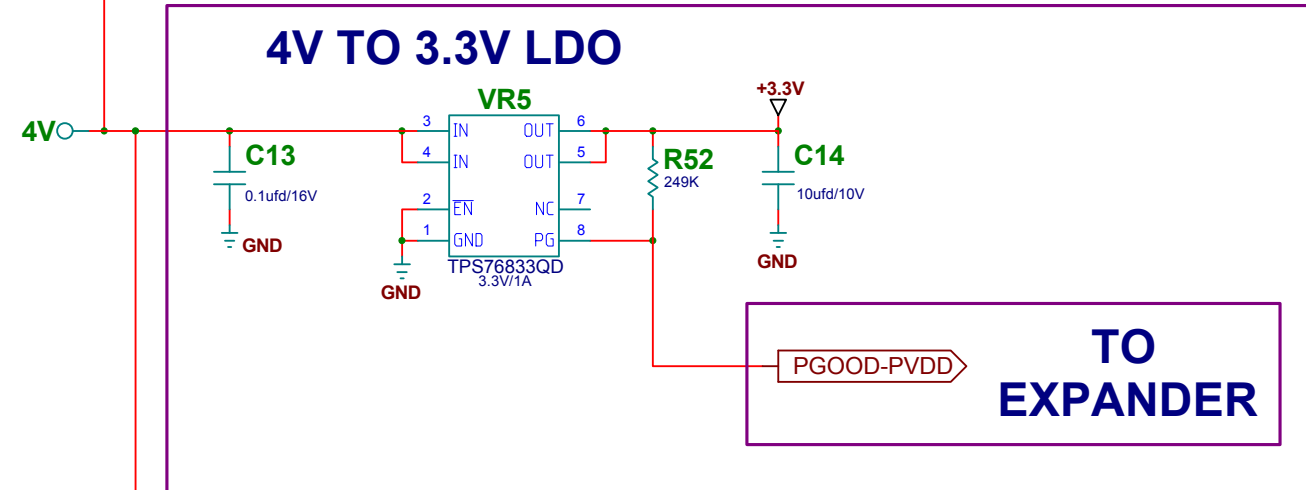
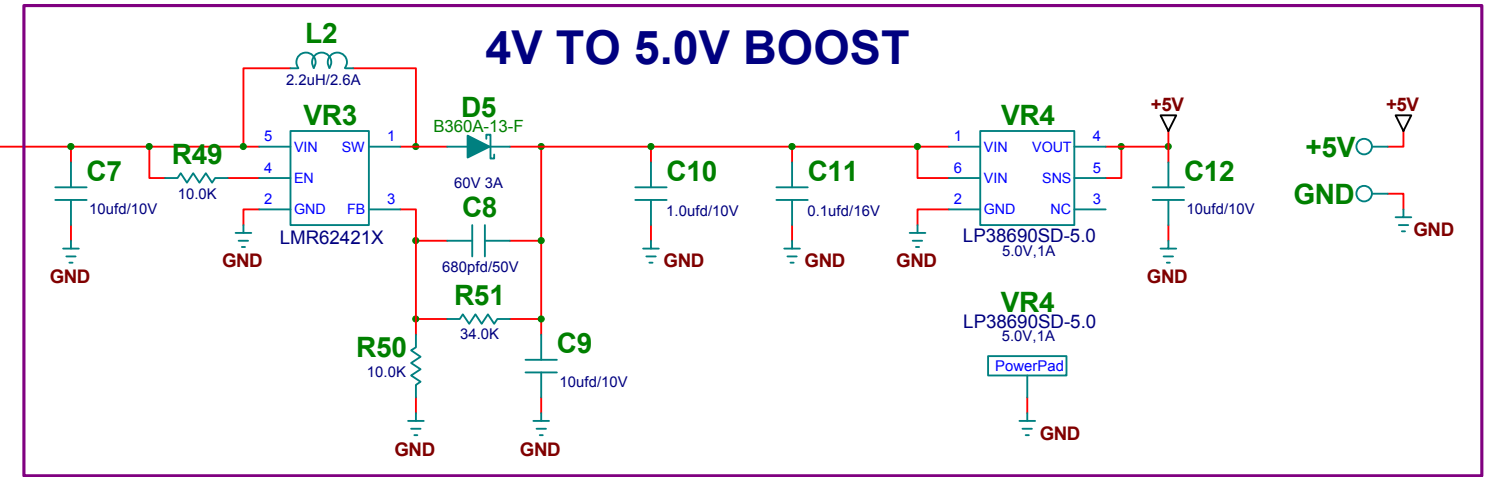
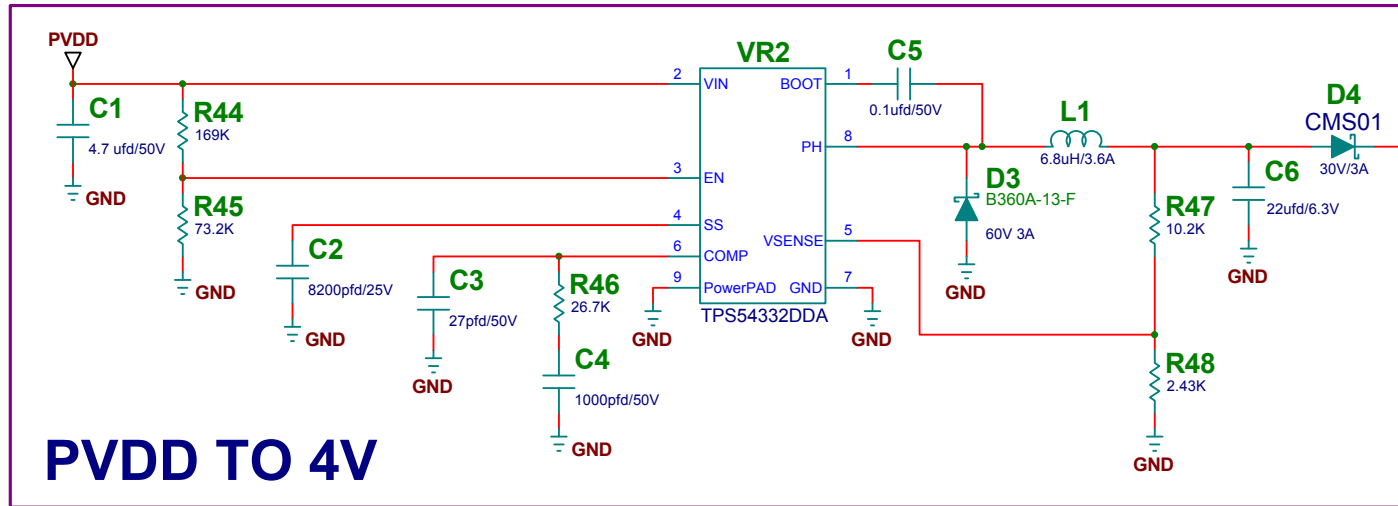
# PurePath™ Console MotherBoard

## EVM CONNECTOR 'A'

## EVM CONNECTOR 'B'

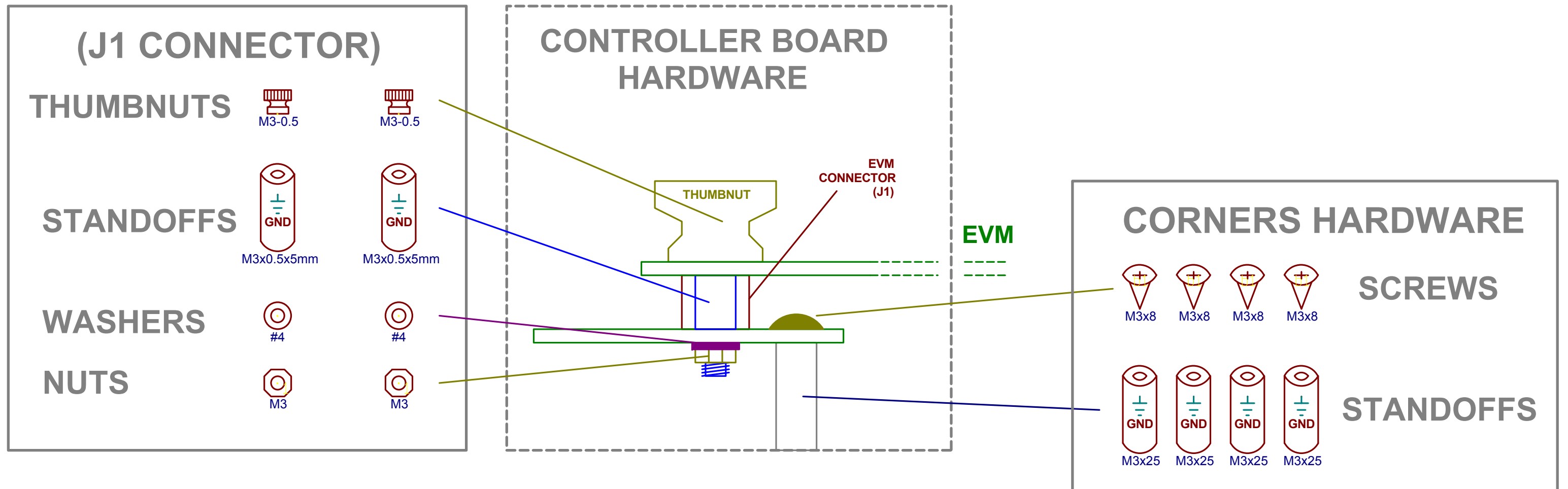


# PurePath™ Console MotherBoard



# PurePath™ Console MotherBoard

## STANDOFF HARDWARE



# PurePath™ Console MotherBoard

## REVISION HISTORY

REVISION	DESCRIPTION	DATE	APPROVAL
A	RELEASE	JULY 11, 2012	TL
B	<ol style="list-style-type: none"> <li>1. CHANGED J1 FROM RIGHT ANGLE TO VERTICLE MOUNT. (QSS-050-01-F-D-A)</li> <li>2. CHANGED ALL LEDS TO 0402 EXCEPT LEDS 1-5.</li> <li>3. CHANGE R5 VALUE TO 61.9K OHMS.</li> <li>4. ADDED 3.3V TO J1-58,60, 62,64.</li> <li>5. ADDED RESET TO J1-66.</li> <li>6. DELETED LED6 AND R513.</li> <li>7. DELETED R245.</li> <li>8. POPULATED R426, VALUE = 0402-47 OHMS.</li> <li>9. CONNECTED R426 TO U4-39.</li> <li>10. ADDED R513 (0402-10K) TO 3.3V AND MCU-19.</li> <li>11. CONNECTED U8-32 TO MCU-19.</li> <li>12. ADD CR2 BETWEEN C7 AND C8.</li> <li>13. ADDED THUMBNUIT PADS FOR J1.</li> </ol>	AUGUST 20, 2012	TL
C	<ol style="list-style-type: none"> <li>1. DELETED AND SHORTED ACROSS R149 TO R152,</li> <li>2. DELETED NAND1, R127, R131, R145, R146, R423, R424, R425.</li> <li>3. RENAMED LED7-LED15 TO LED6-LED14.</li> <li>4. RENAMED AND6 TO AND2.</li> <li>5. RENAMED AND7 TO AND3.</li> <li>6. RENAMED EEPROM1 TO EP1.</li> <li>7. CHANGED EP1 TO 24LC512.</li> <li>8. RENAMED EEPROM2 TO EP2.</li> <li>9. CHANGED EP2 TO 24LC512.</li> <li>10. CHANGE U7-26 TO 3.3V PULLUP.</li> <li>11. MOVE C200, C207, C214 AND C221 TO OUTPUT SIDE OF AIN1 AND AIN2.</li> <li>12. CHANGED EPROM1/2 TO 512K.</li> <li>13. ADD AND GATE(AND4) TO SYSTEM RESET.</li> <li>14. NETS = PB-RESET AND USB-RESET.</li> <li>15. ADDED RESET NET TO U8-28.</li> <li>16. ADDED TESTPOINT TO MUX4/5/6 A/B CONTROL PINS.</li> <li>17. ADDED TESTPOINTS TO PWM OUTPUTS.DELETE S6, R501 AND NET TO MCU-15.</li> <li>18. ADDED TESTPOINTS TO PWM I2S OUTS MCLK, SCLKO, LRCLKO, SDOUT.</li> <li>19. ADDED 10K PULLDOWN (R278) TO MUX2-IN1/2.</li> <li>20. ADDED ZERO OHM RESISTOR MUX3-6.</li> <li>21. ADDED DNP PULLDOWN RESISTOR TO MUX4/5/6 INA/B CONTROL.</li> <li>22. ADDED VALID LED AND DRIVER.</li> <li>23. ADDED I2C ADDRESSES.</li> </ol>	DECEMBER 11, 2012	TL
D	<ol style="list-style-type: none"> <li>1. DELETED 1.8V LED, R10, FB10, FB12.</li> <li>2. CONVERTED PSIA 2 PIN HEADER TO 3 PIN I2S BYPASS HEADERS.</li> <li>3. CONNECTED I2S-3262 TO PIN 1 OF BYPASS HEADERS.</li> <li>4. GROUNDED U3-27.</li> <li>5. CHANGED OPTO-IN PART TO PLR135/T10.</li> <li>6. CHANGED R133/R134 TO 0402/2.00K OHMS.</li> <li>7. REPLACED Q3 WITH NPN TRANSISTOR AND REMAPPED LED DRIVER.</li> <li>8. ON PCB: RECONNECTED ISOLATED 3.3V POWER PLANE ON LAYER 3.</li> </ol>	MAY 29, 2013	TL
E	<ol style="list-style-type: none"> <li>1. CHANGED SW1/SW2/SW3 TO PCA9515BDGKR</li> </ol>	JANUARY 16, 2015	JA
F	<ol style="list-style-type: none"> <li>1. FIXED ANALOG INPUT NOISE ISSUE.</li> <li>2. RENUMBERED NUMEROUS REFERENCE DESIGNATORS.</li> <li>3. ADDED I2S AND I2C HEADERS AND TESTPOINTS.</li> <li>4. CHANGED I2C MUX CIRCUITRY.</li> <li>5. MOVED I2C HEADER TO USB VOLTAGE DOMAIN.</li> <li>6. ADDED SELF BOOTING CAPABILITY.</li> <li>7. REROUTED MOST OF PCB TO ALLOW FOR NEW CIRCUITS.</li> <li>8. CHANGED CLOCKING SCHEME.</li> <li>9. UPDATED POWERPAD FOOTPRINTS.</li> <li>10. FIXED I2S SWITCH ISSUES.</li> <li>11. PP-CMB OPERATING VOLTAGE RANGE IS NOW 4.5V TO 26VDC.</li> <li>12. REDESIGNED POWER SUPPLY CIRCUITS.</li> </ol>	FEBRUARY 3, 2015	JA
G	<ol style="list-style-type: none"> <li>1. ADDED LVC1G125 ON SYSTEM RESET.</li> <li>2. CHANGE R43 TO 33 OHMS AND MOVE TO SYSTEM RESET.</li> </ol>	JULY 20, 2015	JA

# TEXAS INSTRUMENTS DISCLAIMER

The information and materials ("Materials") provided here are provided by Texas Instruments Incorporated ("TI") as a service to its customers and/or suppliers, and may be used for informational purposes only, and only subject to the following terms. By downloading or viewing these Materials, you are signifying your assent to these terms.

- 1.) These preliminary evaluation schematics are intended for use for PRELIMINARY ENGINEERING DEVELOPMENT AND EVALUATION PURPOSES ONLY and are not considered by Texas Instruments to be fit as a basis for establishing production products or systems. This information may be incomplete in several respects, including but not limited to information relating to required design, marketing, and/or manufacturing-related protective considerations and product safety measures typically found in the end-product incorporating the goods.
- 2.) Accordingly, neither TI nor its suppliers warrant the accuracy or completeness of the information, text, graphics, links or other items contained within the Materials. TI may make changes to the Materials, or to the products described therein, at any time without notice. TI makes no commitment to update the Materials.
- 3.) TI assumes no liability for applications assistance, customer product design, software performance, or services that may be described or referenced in the Materials. The user assumes all responsibility and liability for proper and safe design and handling of goods. Accordingly, the user indemnifies TI from all claims arising from its use of the Materials.
- 4.) TI currently deals with various customers for products, and therefore our arrangement with the user will not be exclusive. TI makes no representations regarding the commercial availability of non-TI components that may be referenced in the Materials.
- 5.) No license is granted under any patent right or other intellectual property right of TI covering or relating to any combination, machine, or process in which such TI products or services might be or are used. Except as expressly provided herein, TI and its suppliers do not grant any express or implied right to you under any patents, copyrights, trademarks, or trade secret information.
- 6.) Performance tests and ratings, to the extent referenced in the Materials, are measured using specific computer systems and/or components and reflect the approximate performance of TI products as measured by those tests. Any difference in system hardware or software design or configuration may affect actual performance. Buyers should consult other sources of information to evaluate the performance of systems or components they are considering purchasing.
- 7.) Resale of TI's products or services with statements different from or beyond the parameters stated by TI for that product or service in official TI data books or data sheets voids all express and any implied warranties for the associated TI product or service, and is an unfair and deceptive business practice, and TI is not responsible for any such use.
- 8.) The Materials are copyrighted and any unauthorized use may violate copyright, trademark, and other laws. You may only download one copy for your internal use only, unless you are specifically licensed to do otherwise by TI in writing. This is a license, not a transfer of title, and is subject to the following restrictions: You may not:
  - (a) modify the Materials (including any associated warranties, conditions, limitations or notices) or use them for any commercial purpose, or any public display, performance, sale or rental;
  - (b) decompile, reverse engineer, or disassemble software Materials except and only to the extent permitted by applicable law;
  - (c) remove any copyright or other proprietary notices from the Materials;
  - (d) transfer the Materials to another person. You agree to prevent any unauthorized copying of the Materials. TI may terminate this license at any time if you are in breach of the terms of this Agreement. Upon termination, you will immediately destroy the Materials.
- 9.) THE MATERIALS ARE PROVIDED "AS IS" WITHOUT ANY EXPRESS OR IMPLIED WARRANTY OF ANY KIND INCLUDING WARRANTIES OF MERCHANTABILITY, NONINFRINGEMENT OF INTELLECTUAL PROPERTY, OR FITNESS FOR ANY PARTICULAR PURPOSE. IN NO EVENT SHALL TI OR ITS SUPPLIERS BE LIABLE FOR ANY DAMAGES WHATSOEVER (INCLUDING, WITHOUT LIMITATION, DAMAGES FOR LOSS OF PROFITS, BUSINESS INTERRUPTION, LOSS OF INFORMATION) ARISING OUT OF THE USE OF OR INABILITY TO USE THE MATERIALS, EVEN IF TI HAS BEEN ADVISED OF THE POSSIBILITY OF SUCH DAMAGES.