

BT Module

Bluetooth Frequency 2402-2480MHz

Li-Ion Batt

| 电量(存储理论值) | 实际值 |
|-----------|----------|
| 100% | 3.6-3.7V |
| 70% | 3.2-3.3V |
| 40% | 2.8-2.9V |
| 10% | 2.4-2.5V |
| 0% | 2.1-2.2V |

Car Batt

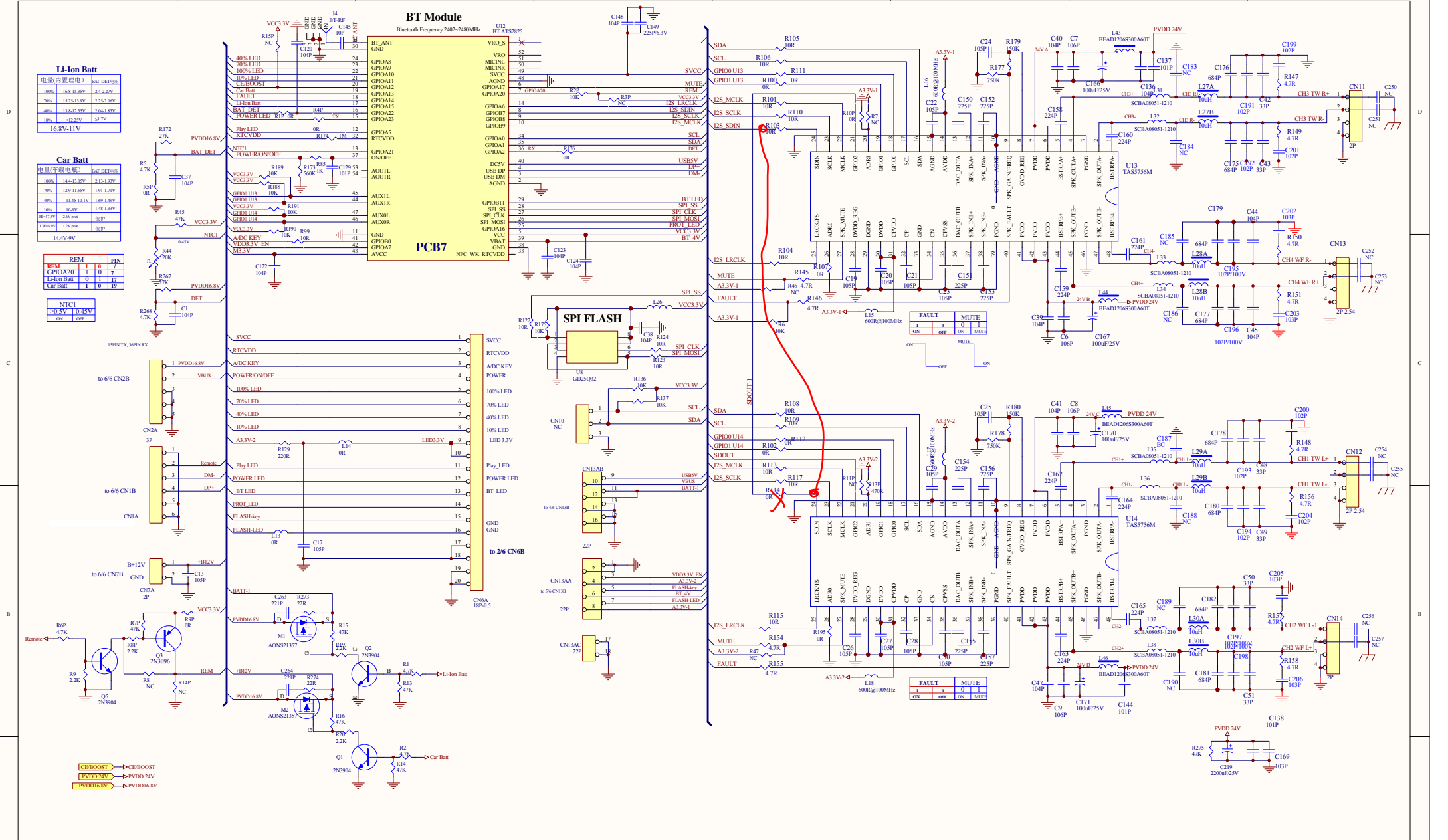
| 电量(存储理论值) | 实际值 |
|-----------|------------|
| 100% | 14.4-14.6V |
| 70% | 12.8-13.1V |
| 40% | 11.4-11.7V |
| 10% | 10.0-10.3V |
| 0% | 8.6-8.9V |

REM

| REM | 1 | 0 | pin |
|----------|---|---|-----|
| GPIOA20 | 1 | 0 | 7 |
| GPIOA17 | 1 | 1 | 17 |
| Car Batt | 1 | 0 | 19 |

NTIC1

| | |
|------------|-------|
| 20.0-20.5V | 0.45V |
| on | off |



PCB1(main)

| | | | | |
|-----|------------|----|-----|-----|
| REV | DATE | BY | CHK | APP |
| V01 | 2019-07-11 | WJ | WJ | WJ |
| V02 | 2019-07-12 | WJ | WJ | WJ |
| V03 | 2019-07-12 | WJ | WJ | WJ |
| V04 | 2019-07-12 | WJ | WJ | WJ |
| V05 | 2019-07-12 | WJ | WJ | WJ |
| V06 | 2019-07-12 | WJ | WJ | WJ |

HOSEN
HOSEN ELECTRONICS CO., LTD

MODEL

DWG NO.

DRAWN BY

CHECKED BY

APPROVED BY

Kuryakyn

2018-10-25

姜工

| | |
|-----------|-----------|
| REV | V07 |
| DATE | 2019-7-12 |
| PAGE | 1 OF 6 |
| amplifier | |